



Is Now Part of



ON Semiconductor®

To learn more about ON Semiconductor, please visit our website at
www.onsemi.com

ON Semiconductor and the ON Semiconductor logo are trademarks of Semiconductor Components Industries, LLC dba ON Semiconductor or its subsidiaries in the United States and/or other countries. ON Semiconductor owns the rights to a number of patents, trademarks, copyrights, trade secrets, and other intellectual property. A listing of ON Semiconductor's product/patent coverage may be accessed at www.onsemi.com/site/pdf/Patent-Marking.pdf. ON Semiconductor reserves the right to make changes without further notice to any products herein. ON Semiconductor makes no warranty, representation or guarantee regarding the suitability of its products for any particular purpose, nor does ON Semiconductor assume any liability arising out of the application or use of any product or circuit, and specifically disclaims any and all liability, including without limitation special, consequential or incidental damages. Buyer is responsible for its products and applications using ON Semiconductor products, including compliance with all laws, regulations and safety requirements or standards, regardless of any support or applications information provided by ON Semiconductor. "Typical" parameters which may be provided in ON Semiconductor data sheets and/or specifications can and do vary in different applications and actual performance may vary over time. All operating parameters, including "Typicals" must be validated for each customer application by customer's technical experts. ON Semiconductor does not convey any license under its patent rights nor the rights of others. ON Semiconductor products are not designed, intended, or authorized for use as a critical component in life support systems or any FDA Class 3 medical devices or medical devices with a same or similar classification in a foreign jurisdiction or any devices intended for implantation in the human body. Should Buyer purchase or use ON Semiconductor products for any such unintended or unauthorized application, Buyer shall indemnify and hold ON Semiconductor and its officers, employees, subsidiaries, affiliates, and distributors harmless against all claims, costs, damages, and expenses, and reasonable attorney fees arising out of, directly or indirectly, any claim of personal injury or death associated with such unintended or unauthorized use, even if such claim alleges that ON Semiconductor was negligent regarding the design or manufacture of the part. ON Semiconductor is an Equal Opportunity/Affirmative Action Employer. This literature is subject to all applicable copyright laws and is not for resale in any manner.

AN-9091

Boost PFC Inductor Design Guide for PFC SPM[®] Series

System Configurations

The block diagram in Figure 1 shows PFC SPM[®] 3 series ver.2, FPAB20BH60B, used in a boost Power Factor Correction (PFC) topology. The inductor (L) is located between pin 24 and pin 25 of the FPAB20BH60B on the boost PFC SPM evaluation board.

Inductor design is crucial to achieving the objective of power factor correction. It should be designed optimally to pass the harmonic guideline without increasing the system cost. Table 1 shows typical operating conditions of the FPAB20BH60B evaluation board under test.

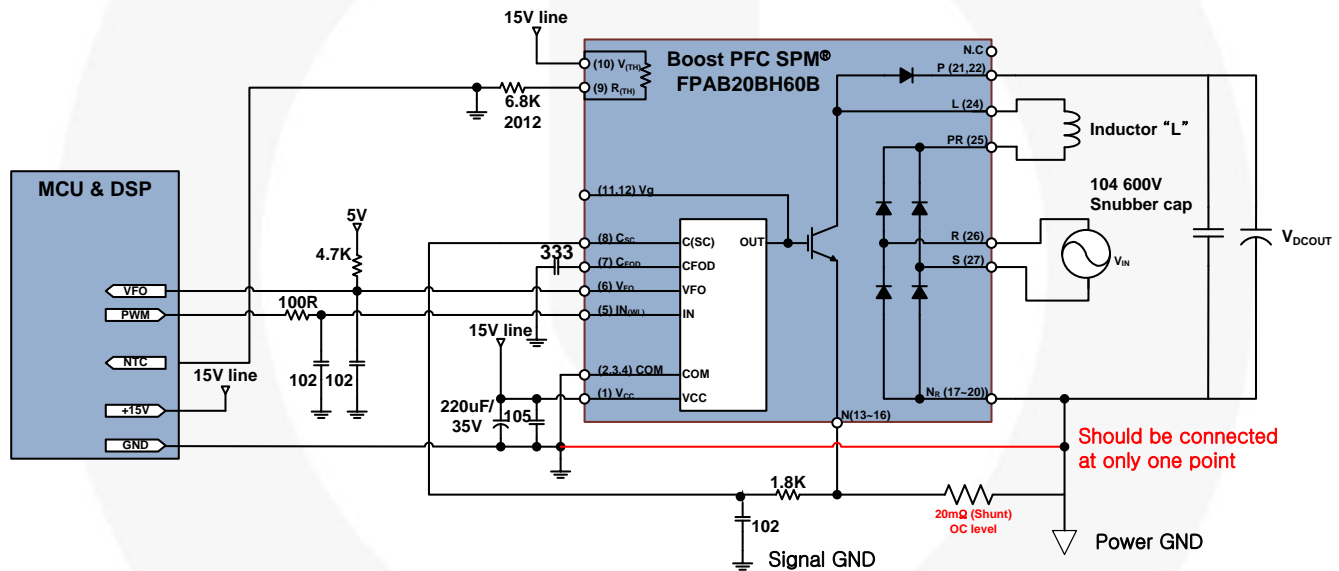


Figure 1. Block Diagram of Boost PFM SPM Evaluation Board

Table 1. Typical Operating Conditions

No.	Item	Symbol	Value	Unit
1	Switching Frequency	f	22	kHz
2	Normal Input Voltage	V _{IN}	220	V _{RMS}
3	Output Maximum Power	P _O	2200	W
4	Nominal Output Voltage	V _{DCOUT}	390	V _{DC}

Calculation of Inductance L

The following equation is used to calculate the inductance value (L) of the inductor. It is obtained from ripple current by the inductor located between the AC input and the DC link voltage. Please refer to [AN-42047](#).

$$\Delta I_{LP-P} = \frac{V_{IN}(V_{OUTDC} - V_{IN})}{fLV_{OUTDC}} < \frac{V_{OUTDC}}{V_{IN}} = \frac{1}{1-D}, \quad (1)$$

$$\Delta I_{LP-P} = \frac{V_{IN} * D * T}{L}$$

where:

ΔI_{LP-P} : Peak to peak current of PFC inductor;

V_{IN} : Input AC voltage (V_{RMS});

V_{OUTDC} : DC link Voltage (V);

f: Switching frequency (Hz); and

L: Inductance of PFC inductor (H).

$$\Delta I_{LP-P} = \frac{V_{IN}(V_{OUTDC} - V_{IN})}{fLV_{OUTDC}} \quad (2)$$

$$\therefore (\Delta I_{LP-P})_{MAX} = \frac{V_{OUTDC}}{4fL}, \therefore V_{IN} = \frac{1}{2} V_{OUTDC}$$

Assuming that $f=22\text{ kHz}$, $V_{OUTDC}=390\text{ V}_{DC}$, $\Delta I_{LP-P}=4.0\text{ A}$, it's possible to calculate inductance L as follows:

$$L = V_{OUTDC} / (4 \times f \times \Delta I_{LP-P}) = 390V_{DC} / (4 \times 22\text{ kHz} \times 4.0\text{ A}) = 1.108\text{ mH} \quad (3)$$

Selection of Wire Diameter

In the operating conditions of Table 1, the rated output power is 2.4 kW and rated voltage of AC input is 220 V_{AC} . Obtain the maximum input current as:

$$I_{AC_MAX} = 2.2\text{ kW} / 220V_{AC} = 10.0\text{ Arms} \quad (4)$$

Assuming that the rms current per square mm of copper wire is 5 [Arms/ mm^2], the area and diameter of wire are calculated as follows:

$$Aw = I_{AC_MAX} / (5[A/\text{mm}^2]) = 10.0\text{ Arms} / (5[A/\text{mm}^2]) = 2.0\text{ mm}^2 \quad (5)$$

$$\text{Radius of wire} = \text{SQRT}(Aw/3.14) = \text{SQRT}(2.0/3.14) = 0.80[\text{mm}] \quad (6)$$

From this, 2.0 mm-diameter copper wire with was chosen.

Core Selection

There are many things to consider when choosing a core: core material, core permeability, effective cross-section area (cm^2), magnetic path length (cm), and nominal inductance (nH/N^2). For performance, a Mega Flux® core was selected.

$$\text{Core: CK740060C} \quad (7)$$

$$\text{Magnetic Path Length } l = 18.38\text{ cm} = 183.8\text{ mm} \quad (8)$$

$$\text{Cross Section Area } A = 5.04\text{ cm}^2 = 183.8\text{ mm}^2 \quad (9)$$

$$\text{Initial permeability } \mu = 60 \times 4 \times 3.14 \times 1e - 10(\text{H}/\text{mm}) \text{ at } 25\text{ kHz} \quad (10)$$

Material Properties

- Chemical composition: Fe – Si alloy
- Saturation flux density: 16.000 Gauss
- Curie temperature: 550°C
- Initial permeability: 60 $\mu \pm 12\%$, Measured at 25 kHz, 1 V, and 0 A_{DC}

Dimensions

Magnetic Dimensions

- Magnetic Path Length: 18.38 cm
- Cross Section Area: 5.04 cm^2

Physical Dimensions (Case)

- OD: 79.50 sm (Maximum)
- ID: 41.14 cm (Minimum)
- HT: 55.0 cm (Maximum)

Case

- Composition: PBT (POLY BUTHYLENE TERPHTALATE)
- Maker: KOLON
- UL FLAME CLASS & FILE NO: UL 94-VO, E88499



Figure 2. Specification of the Selected Toroidal Core: CK740060C

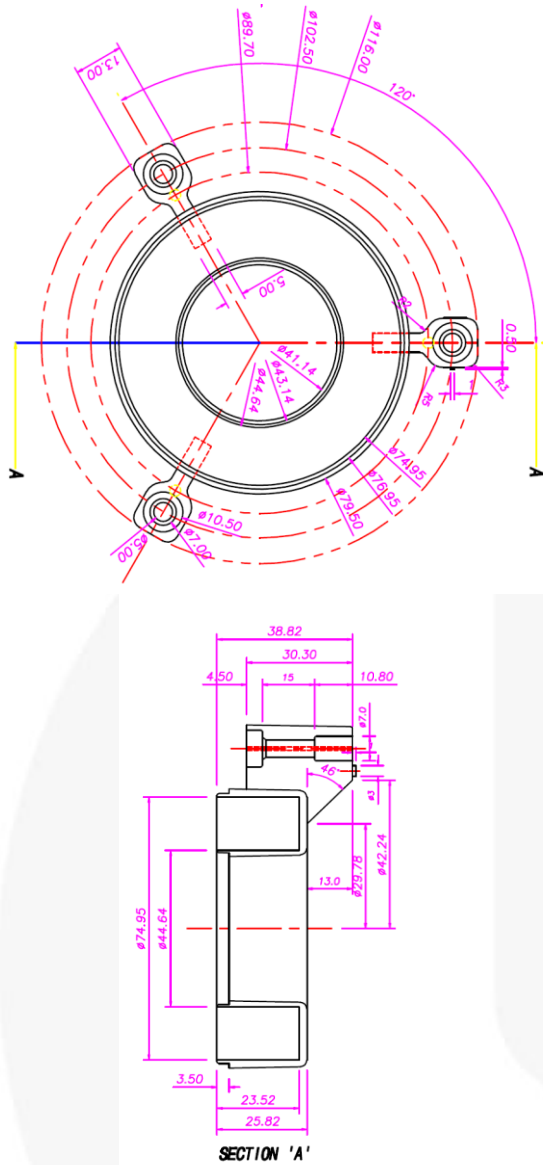


Figure 3. Core Case Sizes

Calculation of Wire Turn Number

A boost PFC inductor with a toroidal core and its wiring is shown in Figure 4.

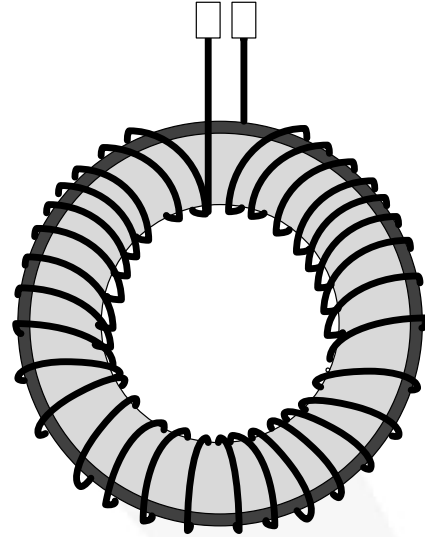


Figure 4. Wiring of Boost PFC SPM Inductor with Toroidal Core

In case of inductor, calculate the turn number (N) of each wire using the following equation and referring to website: <http://www.changsung.com>:

$$L = \frac{0.4\pi\mu N^2 A * 10^{-2}}{1} \tag{11}$$

From the core parameters in Equations (8) - (10), and (11), N is calculated as follows:

$$N = \text{SQRT}(1.108mH \times 183.9 / (60 \times 4 \times 3.14 \times 1e - 10 / H \times 504)) = 74turn \tag{12}$$

From this, choose a turn number above the obtained 74 turns. 74 turns of wire was selected as the final turn number of the boost PFC SPM® inductor.

Implementation of PFC Inductor



Figure 5. Top View of Inductor



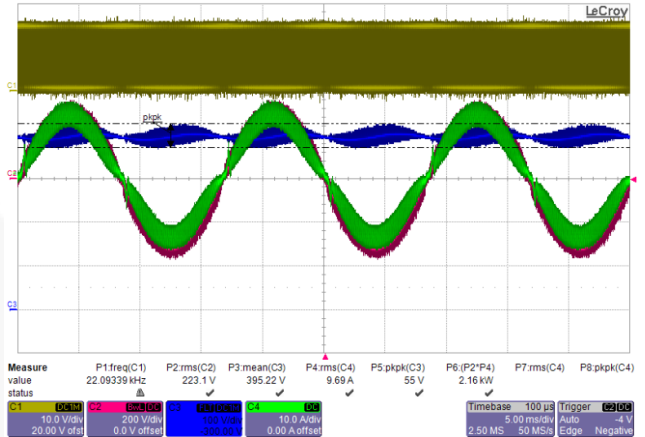
Figure 6. Copper Wire Width (2.01 mm)



Figure 7. Inductance of Inductor (0.98 mH)

According to calculation, the selected copper wire is 2.0 mm and inductance is 1.1 mH. Actual values were copper wire 2.01 mm and inductance 0.98 mH.

Design Verification through Test



CH1: PWM Signal [10 V/div], CH2: V_{AC_INPUT} [200 V/div], CH3: V_{DC} Voltage [100 V/div], CH4: Inductor Current [10 A/div]

Figure 8. Full Load Test Results (at 9.69 Arms)

It was verified that the maximum ripple current of inductor current is about 4 A_{PK_PK} , which is similar to the assumption of ΔI_{LP_P} in Equation (3).

References

[AN-42047 — Power Factor Correction \(PFC\) Basics](#)

[AN-6982 — Power Factor Correction Converter Design with FAN6982](#)

[Magnetic Powder Cores: http://www.changsung.com/](http://www.changsung.com/)

DISCLAIMER

FAIRCHILD SEMICONDUCTOR RESERVES THE RIGHT TO MAKE CHANGES WITHOUT FURTHER NOTICE TO ANY PRODUCTS HEREIN TO IMPROVE RELIABILITY, FUNCTION, OR DESIGN. FAIRCHILD DOES NOT ASSUME ANY LIABILITY ARISING OUT OF THE APPLICATION OR USE OF ANY PRODUCT OR CIRCUIT DESCRIBED HEREIN; NEITHER DOES IT CONVEY ANY LICENSE UNDER ITS PATENT RIGHTS, NOR THE RIGHTS OF OTHERS.

LIFE SUPPORT POLICY

FAIRCHILD'S PRODUCTS ARE NOT AUTHORIZED FOR USE AS CRITICAL COMPONENTS IN LIFE SUPPORT DEVICES OR SYSTEMS WITHOUT THE EXPRESS WRITTEN APPROVAL OF THE PRESIDENT OF FAIRCHILD SEMICONDUCTOR CORPORATION.

As used herein:

1. Life support devices or systems are devices or systems which, (a) are intended for surgical implant into the body, or (b) support or sustain life, or (c) whose failure to perform when properly used in accordance with instructions for use provided in the labeling, can be reasonably expected to result in significant injury to the user.
2. A critical component is any component of a life support device or system whose failure to perform can be reasonably expected to cause the failure of the life support device or system, or to affect its safety or effectiveness.

ON Semiconductor and  are trademarks of Semiconductor Components Industries, LLC dba ON Semiconductor or its subsidiaries in the United States and/or other countries. ON Semiconductor owns the rights to a number of patents, trademarks, copyrights, trade secrets, and other intellectual property. A listing of ON Semiconductor's product/patent coverage may be accessed at www.onsemi.com/site/pdf/Patent-Marking.pdf. ON Semiconductor reserves the right to make changes without further notice to any products herein. ON Semiconductor makes no warranty, representation or guarantee regarding the suitability of its products for any particular purpose, nor does ON Semiconductor assume any liability arising out of the application or use of any product or circuit, and specifically disclaims any and all liability, including without limitation special, consequential or incidental damages. Buyer is responsible for its products and applications using ON Semiconductor products, including compliance with all laws, regulations and safety requirements or standards, regardless of any support or applications information provided by ON Semiconductor. "Typical" parameters which may be provided in ON Semiconductor data sheets and/or specifications can and do vary in different applications and actual performance may vary over time. All operating parameters, including "Typicals" must be validated for each customer application by customer's technical experts. ON Semiconductor does not convey any license under its patent rights nor the rights of others. ON Semiconductor products are not designed, intended, or authorized for use as a critical component in life support systems or any FDA Class 3 medical devices or medical devices with a same or similar classification in a foreign jurisdiction or any devices intended for implantation in the human body. Should Buyer purchase or use ON Semiconductor products for any such unintended or unauthorized application, Buyer shall indemnify and hold ON Semiconductor and its officers, employees, subsidiaries, affiliates, and distributors harmless against all claims, costs, damages, and expenses, and reasonable attorney fees arising out of, directly or indirectly, any claim of personal injury or death associated with such unintended or unauthorized use, even if such claim alleges that ON Semiconductor was negligent regarding the design or manufacture of the part. ON Semiconductor is an Equal Opportunity/Affirmative Action Employer. This literature is subject to all applicable copyright laws and is not for resale in any manner.

PUBLICATION ORDERING INFORMATION

LITERATURE FULFILLMENT:

Literature Distribution Center for ON Semiconductor
19521 E. 32nd Pkwy, Aurora, Colorado 80011 USA
Phone: 303-675-2175 or 800-344-3860 Toll Free USA/Canada
Fax: 303-675-2176 or 800-344-3867 Toll Free USA/Canada
Email: orderlit@onsemi.com

N. American Technical Support: 800-282-9855 Toll Free
USA/Canada
Europe, Middle East and Africa Technical Support:
Phone: 421 33 790 2910
Japan Customer Focus Center
Phone: 81-3-5817-1050

ON Semiconductor Website: www.onsemi.com
Order Literature: <http://www.onsemi.com/orderlit>
For additional information, please contact your local
Sales Representative