

# ON Semiconductor

## Is Now

# onsemi™

To learn more about onsemi™, please visit our website at  
[www.onsemi.com](http://www.onsemi.com)

---

**onsemi** and **onsemi** and other names, marks, and brands are registered and/or common law trademarks of Semiconductor Components Industries, LLC dba "**onsemi**" or its affiliates and/or subsidiaries in the United States and/or other countries. **onsemi** owns the rights to a number of patents, trademarks, copyrights, trade secrets, and other intellectual property. A listing of **onsemi** product/patent coverage may be accessed at [www.onsemi.com/site/pdf/Patent-Marking.pdf](http://www.onsemi.com/site/pdf/Patent-Marking.pdf). **onsemi** reserves the right to make changes at any time to any products or information herein, without notice. The information herein is provided "as-is" and **onsemi** makes no warranty, representation or guarantee regarding the accuracy of the information, product features, availability, functionality, or suitability of its products for any particular purpose, nor does **onsemi** assume any liability arising out of the application or use of any product or circuit, and specifically disclaims any and all liability, including without limitation special, consequential or incidental damages. Buyer is responsible for its products and applications using **onsemi** products, including compliance with all laws, regulations and safety requirements or standards, regardless of any support or applications information provided by **onsemi**. "Typical" parameters which may be provided in **onsemi** data sheets and/or specifications can and do vary in different applications and actual performance may vary over time. All operating parameters, including "Typicals" must be validated for each customer application by customer's technical experts. **onsemi** does not convey any license under any of its intellectual property rights nor the rights of others. **onsemi** products are not designed, intended, or authorized for use as a critical component in life support systems or any FDA Class 3 medical devices or medical devices with a same or similar classification in a foreign jurisdiction or any devices intended for implantation in the human body. Should Buyer purchase or use **onsemi** products for any such unintended or unauthorized application, Buyer shall indemnify and hold **onsemi** and its officers, employees, subsidiaries, affiliates, and distributors harmless against all claims, costs, damages, and expenses, and reasonable attorney fees arising out of, directly or indirectly, any claim of personal injury or death associated with such unintended or unauthorized use, even if such claim alleges that **onsemi** was negligent regarding the design or manufacture of the part. **onsemi** is an Equal Opportunity/Affirmative Action Employer. This literature is subject to all applicable copyright laws and is not for resale in any manner. Other names and brands may be claimed as the property of others.



Is Now Part of



**ON Semiconductor®**

To learn more about ON Semiconductor, please visit our website at  
[www.onsemi.com](http://www.onsemi.com)

ON Semiconductor and the ON Semiconductor logo are trademarks of Semiconductor Components Industries, LLC dba ON Semiconductor or its subsidiaries in the United States and/or other countries. ON Semiconductor owns the rights to a number of patents, trademarks, copyrights, trade secrets, and other intellectual property. A listing of ON Semiconductor's product/patent coverage may be accessed at [www.onsemi.com/site/pdf/Patent-Marking.pdf](http://www.onsemi.com/site/pdf/Patent-Marking.pdf). ON Semiconductor reserves the right to make changes without further notice to any products herein. ON Semiconductor makes no warranty, representation or guarantee regarding the suitability of its products for any particular purpose, nor does ON Semiconductor assume any liability arising out of the application or use of any product or circuit, and specifically disclaims any and all liability, including without limitation special, consequential or incidental damages. Buyer is responsible for its products and applications using ON Semiconductor products, including compliance with all laws, regulations and safety requirements or standards, regardless of any support or applications information provided by ON Semiconductor. "Typical" parameters which may be provided in ON Semiconductor data sheets and/or specifications can and do vary in different applications and actual performance may vary over time. All operating parameters, including "Typicals" must be validated for each customer application by customer's technical experts. ON Semiconductor does not convey any license under its patent rights nor the rights of others. ON Semiconductor products are not designed, intended, or authorized for use as a critical component in life support systems or any FDA Class 3 medical devices or medical devices with a same or similar classification in a foreign jurisdiction or any devices intended for implantation in the human body. Should Buyer purchase or use ON Semiconductor products for any such unintended or unauthorized application, Buyer shall indemnify and hold ON Semiconductor and its officers, employees, subsidiaries, affiliates, and distributors harmless against all claims, costs, damages, and expenses, and reasonable attorney fees arising out of, directly or indirectly, any claim of personal injury or death associated with such unintended or unauthorized use, even if such claim alleges that ON Semiconductor was negligent regarding the design or manufacture of the part. ON Semiconductor is an Equal Opportunity/Affirmative Action Employer. This literature is subject to all applicable copyright laws and is not for resale in any manner.

## Wide-bandwidth Video Switches Solve High Resolution Video Design Challenges

### Introduction

The consumer market has witnessed the functional convergence in display units such as LCD TV, and multiple-function LCD monitors. Most of these high-tier models support dual or even more component inputs such as PC RGB and progressive YPbPr inputs from external equipment such as DVD players. The LCD monitor will never be a simple desk display but an intelligent unit with multiple analog inputs for potential picture-in-picture (PIP) functions that allows users to simultaneously watch a movie while typing on the same display. In addition, with the transition to HDMI or DVI digital I/Os in both PC and consumer electronics, wide-bandwidth differential analog switches play an important role in routing the digital video signals to reduce the hardware cost. In this application note, design challenges are first analyzed in terms of bandwidth requirements. This is followed by an examination of some applications in notebook and LCD TV designs. Finally, some suggestions are provided to speed up the design in terms of PCB layout and noise reduction in terms of the data path jitter.

### High Definition Video Design Challenges

With the migration of computer RGB component input to LCD TV designs, the designer is challenged with signal integrity issues such as undershoot, overshoot and edge distortion for high definition signals. Figure 1 is a typical LCD TV analog front end video processing architecture with video switch used to select either from computer RGB input or high definition YPbPr input to share the same video ASIC in order to reduce the cost. For traditional RGB signals with a resolution smaller than XGA, RGB signal bandwidth is typically smaller than 30MHz. Analog switches with  $-3\text{dB}$  bandwidth of 300MHz are good enough for such applications. But for high resolution monitors such as UXGA and QXGA displays, for best visual effect, the minimum bandwidth required for video switches needs to be 400MHz (or even higher) under system capacitive loads to minimize the nonlinear distortion for frequency in the low to medium frequency region. This is the region where most high resolution RGB video signals fall in. Smaller bandwidth causes greater fluctuations of AC gain over this frequency region. This can be also reflected into the system specifications such as differential gain and phase, which is the direct cause of the variation of color saturation and hue. For typical LCD TV design in Figure 1, A/D converters also play a key role in terms of image stability. During each pixel time, the analog input video signal needs to settle down whenever the magnitude varies. The analog video signal must settle down to its stable value before being sampled by the pixel clock generated from the phase locked loop circuit inside the A/D converters. For high definition video displays, the challenge is that the total sampling cycle time gets smaller. In order to get a more reliable and stable image, the settling time needs to be smaller. One of the key factors affecting this settling time is

the bandwidth of the physical video signal data path. A wide bandwidth video switch with minimum ON Capacitance in Figure 1 is highly desirable to avoid increasing the settling time along the video data path.

In addition to the bandwidth challenges in high definition video design, the ghost image is another tough task for most designers. SYNC pulses embedded in most video luminance signal or green channel (SOG) usually has a magnitude of about  $-300\text{mV}$ . This is particularly true for high definition component video with tri-level SYNC on each component video signal. As an example, for applications in Figure 1, when the YPbPr inputs are switched OFF and the RGB inputs are routed to the A/D converter inputs, ideally the DVD video inputs (YPbPr) should be blocked and has negligible effect on the RGB channels. This is referred to as "OFF Isolation" in general video switch datasheets. Unfortunately, in some LCD TV designs, designers experience the ghost image coupling from DVD channels to RGB channels. The actual reason for this is that the OFF channel is not totally shut OFF due to the sub-threshold of NMOS devices inside the switch. This is particularly true when the magnitude of SYNC tip is close to  $-500\text{mV}$ , which makes the internal NMOS device very hard to be completely turned OFF. One of the proposed solutions is to AC couple the input video switch with DC restoration afterwards to lift the tip above ground. Only the Y channel is DC biased in Figure 1 but designers might need to offset other component video inputs if necessary. The bandwidth of the high pass filter formed by the AC coupling capacitor and resistor divider network needs to be much smaller ( $>10$ ) than the lowest frequency inside the video signal.

Figure 2 is another application of the high bandwidth video switch in a notebook design. Analog RGB component video output from the DAC needs to drive two displays. One goes to the regular VGA connector and another goes to the docking station on the notebook. In most analog video designs, an optional EMI filter is used to reduce the magnetic emission. Unfortunately, EMI filter and external ESD protection devices contribute a high capacitive load to the switch. This extra capacitance, trace inductance and video switch On Capacitance work together resulting in the degraded bandwidth along video signal path. This is particularly true for PC RGB signal with resolution higher than UXGA, which needs the bandwidth of at least 400MHz for optimal signal edge shape under such high capacitive load. In addition, unfortunately the lower bandwidth always correlates to slow rise time, which is critical for video resolution especially for high definition content. In such applications, video switches with minimal On Capacitance and high bandwidth is desired to save some capacitive budget for EMI filter and ESD protection devices particularly for high definition video signals such as UXGA and QXGA modes. Fairchild's newly released 1.1GHz (FSAV430) video switch works for such applications perfectly by offering all those benefits above but still maintains the video signal edge and offers low insertion loss (typically

## High Definition Video Design Challenges (Continued)

–0.6dB for 75Ω load). The crosstalk performance offered by Fairchild FSAV430 is –75dB, which offers ignorable video interference between active channels particularly for high definition video with fast edge rate. Due to the highly linear behavior of this device, it offers differential gain less

than 0.2% and differential phase of less than 0.1 degree. Minimal differential gain and phase of video switches is important to minimize the color saturation variation dependence on brightness.

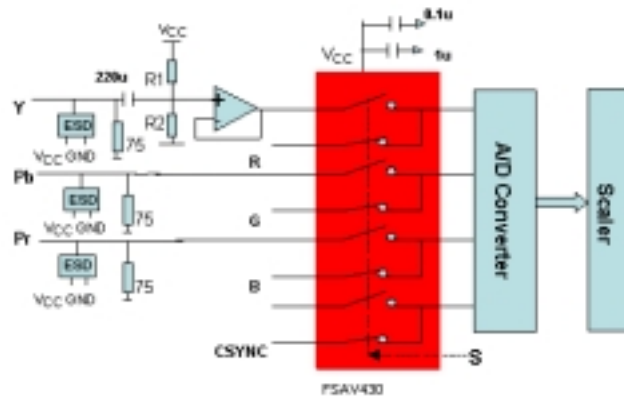


FIGURE 1. Wide-bandwidth Video Switch Used to Route PC RGB Signals Up to QXGA Resolution

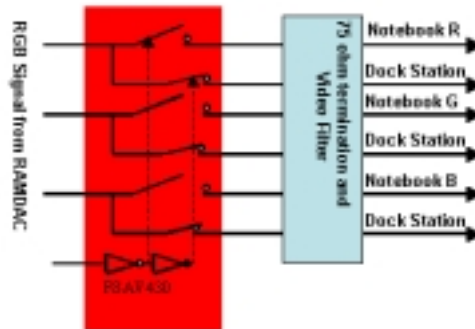


FIGURE 2. Wide-bandwidth Video Switches Offer Great Bandwidth Headroom to Route High Resolution Video Signals with Minimal Edge Distortion

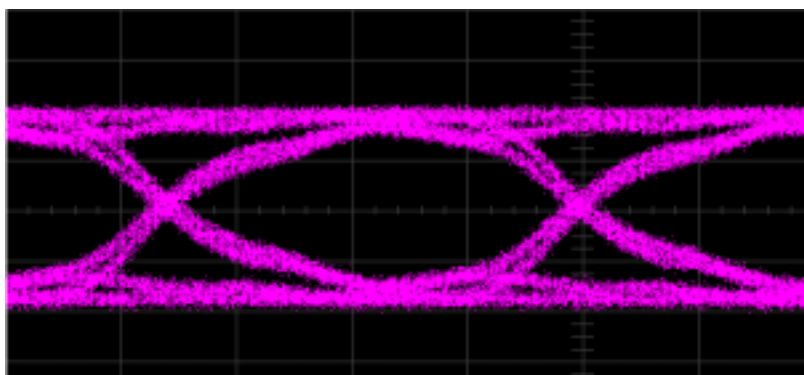
With the advent of high speed digital video connections in consumer applications such as DVI and HDMI interfaces, typically four pairs of differential signals (TMDS) are used to transmit even uncompressed digital video information. This creates a great opportunity for high throughput analog switch in applications such as digital video pin sharing. The higher bandwidth of the switch allows for routing the picture with a higher frame rate to reduce the visual noise. Due to the ultra low power (1uA quiescent current) consumption feature, high bandwidth analog switch can be widely used in portable and handheld designs such as portable DVD devices or notebooks with much lower power consumption for high resolution video signal routing than typical active differential switches. In such designs, additive jitter, pulse skew and channel-to-channel skew is a key specification for clock recovery circuits on the receiver side. Considering

the typical analog switch is designed based upon the pass gate architecture, the major source of jitter comes from the On Resistance mismatch between channels, which might contribute to channel-to-channel skew and consequently, the deterministic jitter from both the rise and fall edges. There is a trade-off in design of routing high throughput signals in such applications in term of edge rate choices. Fast edge rates of the differential signal usually relates to smaller deterministic jitter due to the less rising time. But it could challenge the switch in terms of transmission line effect such as reflections. In addition, fast rising edge rates call for wide bandwidth switches since low bandwidth could result in the slow down of the edge by losing some high frequency component of the edges. On the contrary, slow edge does the reverse things. In order to alleviate such design challenges, switches offering both high bandwidth

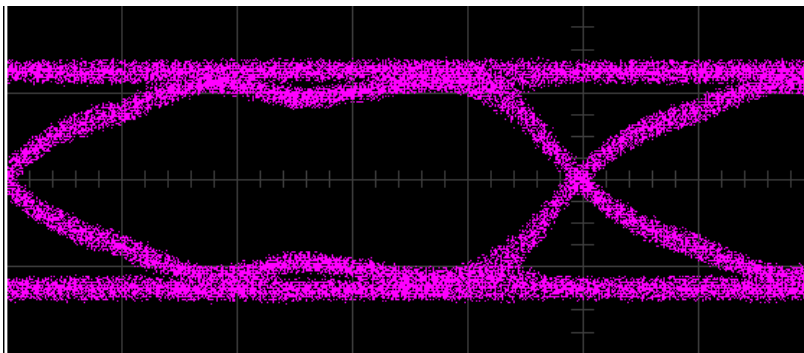
## High Definition Video Design Challenges (Continued)

and low RC delay will service such applications perfectly. In another words, analog switches with low On Capacitance, reasonable On Resistance and the wide -3dB bandwidth will be ideal for this application. The criterion of switch On Resistance is related to the noise margin. Higher On Resistance causes signal magnitude attenuation and the reduction of noise margin. As an example, for high speed LVDS signal switching, the typical LVDS driver has 350mV output swing. 10Ω On Resistance of the switch will cause about 17% signal swing loss in 50Ω trace environment. This means it will loose 24% noise margin for LVDS receivers with 100mV threshold. So the lower the On Resistance, the better the noise margin. Finally, low bandwidth is directly related to the increased data pattern dependent jitter for high speed pseudo random data inputs with fast edge rate

and high swing magnitude. Higher phase jitter might cause the bit error and the failure of the eye mask. Figure 3 is the output eye diagram of Fairchild's new video switch FSAV430 (1.1GHz -3dB bandwidth and 5Ω typical On Resistance) with 1.4Gbps TMDS PRBS and 1Gbps LVDS data inputs. The additive jitter is only 66ps peak-to-peak for TMDS inputs and 38ps for LVDS inputs while the quiescent current consumption is only 1uA. This is important for battery based handheld devices such as notebooks or portable DVD players. The power consumption is also much lower than most other wide bandwidth video switches in the market based on charge pump solutions. Two FSAV430 devices are needed to switch 4 pairs of TMDS or LVDS differential signals.



a) Output Eye Diagram for TMDS Inputs (1.4Gbps)



b) Output Eye Diagram for LVDS Inputs (1Gbps)

FIGURE 3. FSAV430 Used to Route High Throughput Differential Signals

## Design Suggestions

For analog design in application 1 and 2, in addition to bandwidth, differential gain and phase specifications are critical to most video designers. As a matter of fact, differential gain is related to the linearity of the analog data path. In order to improve the analog switch linearity in term of On Resistance flatness, it is always important to have decoupling capacitors of 0.01uF and 1uF sitting close to the  $V_{CC}$  supply pins. Wedge shaped ground copper on the top between adjacent video channels is very efficient to improve the OFF Isolation and crosstalk performance when needed. The distance from ground copper to the active signal needs to be much further than the distance between the signals to the ground plane in order to minimize the effect on trace characteristic impedance. For applications with EMI filters on video channels, it is important to minimize the trace length between drivers and connectors and also keep the termination resistor close to the connector to minimize the reflection. Minimal trace length is helpful to maintain the video data path bandwidth. For digital video signal routing, in addition to the suggestions above, channel-to-channel skew is very important in order to minimize

the deterministic jitter. Equal length of traces for differential signals is required in addition to the equal parasitic capacitive load requirements along the data path. Jitter performance becomes more and more important for high definition digital video signals with smaller unit interval (UI) per bit. Jitter budget becomes tighter for each component along the video data path to minimize the bit error rate.

## Summary

As the video displays migrate into higher definition and larger screens particularly with higher frame rate, wide bandwidth analog switches are being widely used in LCD TVs, DVD-RWs and set-top boxes to lower the cost by connector or hardware sharing. This is particularly true for both consumer electronics and personal computers when LCD monitors evolve to be multiple-function end devices with both PC RGB and progressive YPbPr signal inputs. In addition, for analog front or back end component video I/Os, wide-bandwidth analog switch can minimize the non-linear distortion for high resolution video signals particularly with the presence of EMI filter. This is particularly true for RGB signal with resolution higher than UXGA.

Fairchild does not assume any responsibility for use of any circuitry described, no circuit patent licenses are implied and Fairchild reserves the right at any time without notice to change said circuitry and specifications.

### LIFE SUPPORT POLICY

FAIRCHILD'S PRODUCTS ARE NOT AUTHORIZED FOR USE AS CRITICAL COMPONENTS IN LIFE SUPPORT DEVICES OR SYSTEMS WITHOUT THE EXPRESS WRITTEN APPROVAL OF THE PRESIDENT OF FAIRCHILD SEMICONDUCTOR CORPORATION. As used herein:

1. Life support devices or systems are devices or systems which, (a) are intended for surgical implant into the body, or (b) support or sustain life, and (c) whose failure to perform when properly used in accordance with instructions for use provided in the labeling, can be reasonably expected to result in a significant injury to the user.
2. A critical component in any component of a life support device or system whose failure to perform can be reasonably expected to cause the failure of the life support device or system, or to affect its safety or effectiveness.

[www.fairchildsemi.com](http://www.fairchildsemi.com)

ON Semiconductor and  are trademarks of Semiconductor Components Industries, LLC dba ON Semiconductor or its subsidiaries in the United States and/or other countries. ON Semiconductor owns the rights to a number of patents, trademarks, copyrights, trade secrets, and other intellectual property. A listing of ON Semiconductor's product/patent coverage may be accessed at [www.onsemi.com/site/pdf/Patent-Marking.pdf](http://www.onsemi.com/site/pdf/Patent-Marking.pdf). ON Semiconductor reserves the right to make changes without further notice to any products herein. ON Semiconductor makes no warranty, representation or guarantee regarding the suitability of its products for any particular purpose, nor does ON Semiconductor assume any liability arising out of the application or use of any product or circuit, and specifically disclaims any and all liability, including without limitation special, consequential or incidental damages. Buyer is responsible for its products and applications using ON Semiconductor products, including compliance with all laws, regulations and safety requirements or standards, regardless of any support or applications information provided by ON Semiconductor. "Typical" parameters which may be provided in ON Semiconductor data sheets and/or specifications can and do vary in different applications and actual performance may vary over time. All operating parameters, including "Typicals" must be validated for each customer application by customer's technical experts. ON Semiconductor does not convey any license under its patent rights nor the rights of others. ON Semiconductor products are not designed, intended, or authorized for use as a critical component in life support systems or any FDA Class 3 medical devices or medical devices with a same or similar classification in a foreign jurisdiction or any devices intended for implantation in the human body. Should Buyer purchase or use ON Semiconductor products for any such unintended or unauthorized application, Buyer shall indemnify and hold ON Semiconductor and its officers, employees, subsidiaries, affiliates, and distributors harmless against all claims, costs, damages, and expenses, and reasonable attorney fees arising out of, directly or indirectly, any claim of personal injury or death associated with such unintended or unauthorized use, even if such claim alleges that ON Semiconductor was negligent regarding the design or manufacture of the part. ON Semiconductor is an Equal Opportunity/Affirmative Action Employer. This literature is subject to all applicable copyright laws and is not for resale in any manner.

## PUBLICATION ORDERING INFORMATION

### LITERATURE FULFILLMENT:

Literature Distribution Center for ON Semiconductor  
19521 E. 32nd Pkwy, Aurora, Colorado 80011 USA  
**Phone:** 303-675-2175 or 800-344-3860 Toll Free USA/Canada  
**Fax:** 303-675-2176 or 800-344-3867 Toll Free USA/Canada  
**Email:** [orderlit@onsemi.com](mailto:orderlit@onsemi.com)

**N. American Technical Support:** 800-282-9855 Toll Free  
USA/Canada  
**Europe, Middle East and Africa Technical Support:**  
Phone: 421 33 790 2910  
**Japan Customer Focus Center**  
Phone: 81-3-5817-1050

**ON Semiconductor Website:** [www.onsemi.com](http://www.onsemi.com)  
**Order Literature:** <http://www.onsemi.com/orderlit>  
For additional information, please contact your local  
Sales Representative