

ON Semiconductor

Is Now

The logo for onsemi, featuring the word "onsemi" in a dark teal, lowercase, sans-serif font. The letter "i" is stylized with a white dot and a teal vertical bar. A small orange triangle is positioned above the top right of the "i". A trademark symbol (TM) is located to the right of the logo.

To learn more about onsemi™, please visit our website at
www.onsemi.com

onsemi and **onsemi** and other names, marks, and brands are registered and/or common law trademarks of Semiconductor Components Industries, LLC dba "**onsemi**" or its affiliates and/or subsidiaries in the United States and/or other countries. **onsemi** owns the rights to a number of patents, trademarks, copyrights, trade secrets, and other intellectual property. A listing of **onsemi** product/patent coverage may be accessed at www.onsemi.com/site/pdf/Patent-Marking.pdf. **onsemi** reserves the right to make changes at any time to any products or information herein, without notice. The information herein is provided "as-is" and **onsemi** makes no warranty, representation or guarantee regarding the accuracy of the information, product features, availability, functionality, or suitability of its products for any particular purpose, nor does **onsemi** assume any liability arising out of the application or use of any product or circuit, and specifically disclaims any and all liability, including without limitation special, consequential or incidental damages. Buyer is responsible for its products and applications using **onsemi** products, including compliance with all laws, regulations and safety requirements or standards, regardless of any support or applications information provided by **onsemi**. "Typical" parameters which may be provided in **onsemi** data sheets and/or specifications can and do vary in different applications and actual performance may vary over time. All operating parameters, including "Typicals" must be validated for each customer application by customer's technical experts. **onsemi** does not convey any license under any of its intellectual property rights nor the rights of others. **onsemi** products are not designed, intended, or authorized for use as a critical component in life support systems or any FDA Class 3 medical devices or medical devices with a same or similar classification in a foreign jurisdiction or any devices intended for implantation in the human body. Should Buyer purchase or use **onsemi** products for any such unintended or unauthorized application, Buyer shall indemnify and hold **onsemi** and its officers, employees, subsidiaries, affiliates, and distributors harmless against all claims, costs, damages, and expenses, and reasonable attorney fees arising out of, directly or indirectly, any claim of personal injury or death associated with such unintended or unauthorized use, even if such claim alleges that **onsemi** was negligent regarding the design or manufacture of the part. **onsemi** is an Equal Opportunity/Affirmative Action Employer. This literature is subject to all applicable copyright laws and is not for resale in any manner. Other names and brands may be claimed as the property of others.



Is Now Part of



ON Semiconductor®

To learn more about ON Semiconductor, please visit our website at

www.onsemi.com

ON Semiconductor and the ON Semiconductor logo are trademarks of Semiconductor Components Industries, LLC dba ON Semiconductor or its subsidiaries in the United States and/or other countries. ON Semiconductor owns the rights to a number of patents, trademarks, copyrights, trade secrets, and other intellectual property. A listing of ON Semiconductor's product/patent coverage may be accessed at www.onsemi.com/site/pdf/Patent-Marking.pdf. ON Semiconductor reserves the right to make changes without further notice to any products herein. ON Semiconductor makes no warranty, representation or guarantee regarding the suitability of its products for any particular purpose, nor does ON Semiconductor assume any liability arising out of the application or use of any product or circuit, and specifically disclaims any and all liability, including without limitation special, consequential or incidental damages. Buyer is responsible for its products and applications using ON Semiconductor products, including compliance with all laws, regulations and safety requirements or standards, regardless of any support or applications information provided by ON Semiconductor. "Typical" parameters which may be provided in ON Semiconductor data sheets and/or specifications can and do vary in different applications and actual performance may vary over time. All operating parameters, including "Typicals" must be validated for each customer application by customer's technical experts. ON Semiconductor does not convey any license under its patent rights nor the rights of others. ON Semiconductor products are not designed, intended, or authorized for use as a critical component in life support systems or any FDA Class 3 medical devices or medical devices with a same or similar classification in a foreign jurisdiction or any devices intended for implantation in the human body. Should Buyer purchase or use ON Semiconductor products for any such unintended or unauthorized application, Buyer shall indemnify and hold ON Semiconductor and its officers, employees, subsidiaries, affiliates, and distributors harmless against all claims, costs, damages, and expenses, and reasonable attorney fees arising out of, directly or indirectly, any claim of personal injury or death associated with such unintended or unauthorized use, even if such claim alleges that ON Semiconductor was negligent regarding the design or manufacture of the part. ON Semiconductor is an Equal Opportunity/Affirmative Action Employer. This literature is subject to all applicable copyright laws and is not for resale in any manner.

AN-4177

High Speed Optocoupler and its Switching Characteristics

H11LxM, H11NxM

Background

In the history of optocouplers, the data speed comparison of the standard phototransistor to the Schmitt trigger output optocoupler is obvious. The H11LxM and H11NxM optocouplers offer vast speed and gain improvements. The H11NxM wins the speed contest given its use of the high speed and high efficiency AlGaAs LED source.

It's been proven that the H11LxM family offers the best value when speed, gain and industrial interface are the criteria. The H11LxM optocoupler uses a low current GaAs IR (950 nm) LED as the source, and a bipolar silicon amplifier as the receiver. The major advantage of this optocoupler is its interface level shifting versatility. The H11LxM device operates over a 3 V to 16 V supply voltage range. Optimum performance is achieved with a supply voltage of 5 V. Attractive timing specifications are possible given the use of a Schmitt trigger detection amplifier and open collector output. The typical output transition times are less than 50 ns. The Schmitt trigger architecture also minimizes output jitter when slow changing LED currents are being monitored.

The H11LxM family members are separated into three LED current threshold bins. The H11L1M holds the spot of most sensitive, offering a threshold equal to or less than 1.6 mA. Coming in second is the H11L3M with a threshold of 5 mA, and lastly the high threshold optocoupler, H11L2M, needing 10 mA or more LED current to guarantee the output is in the low state. These threshold specifications are given as guides. All the parts will switch at current lower than the "maximum" value. However it is recommended that the device be operated a current greater than the "maximum" value. A 10% "guard-banding" compensates for short term temperature and long term LED degradation effects.

Switching Characteristics

The H11LxM family of optocouplers is much faster than the standard phototransistor optocouplers. This improved speed performance is possible given the multistage amplifier and the Schmitt trigger output. The family is presented as having a typical data capability of 1 Mbaud. The key issue here is the term typical. This implies that many parts in the population, but not all parts, are capable of supporting a communication bit time of 1 μ s. The definition here is that there is a 1-to-1 relationship of bit time and Baud or signaling rate. Thus a square wave of 50% duty factor with a 2 μ s period is composed of a 1010 pattern of 1 μ s bit times. Under specific LED operating conditions, each of the three members of the H11LxM family can successfully communicate a 1 MBaud data rate.

Optimum switching is attained by managing the peak LED drive current. Logic switching timing is commonly presented as the time delay for an output transition given a transition of current through the LED. The switching specification is typically given as the propagation delay from output switching from the HIGH state to LOW state, t_{PHL} , and delay from LOW state to HIGH state, t_{PLH} . The switching test circuit and waveforms are illustrated in Figure 2.

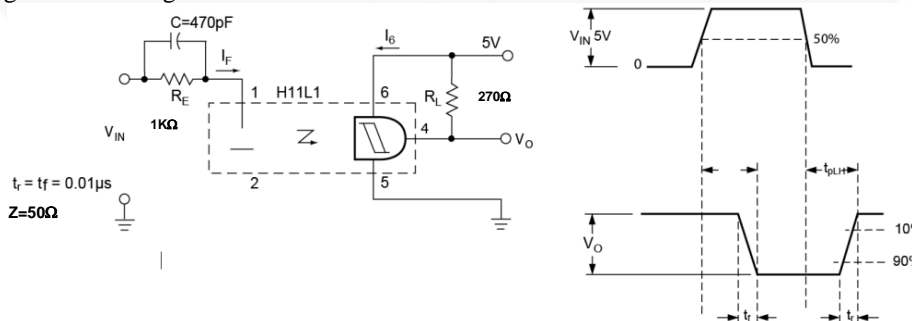


Figure 1. Switching Test Circuit and Waveform

Table 1 illustrates typical performance of each sensitivity bin when operated with a 10% to 25% LED current guardband. The test condition was $V_{CC} = 5\text{ V}$, $R_L = 270\ \Omega$. The test data was gathered using a 101010 format of $2\ \mu\text{s}$ ON and $2\ \mu\text{s}$ OFF. The pulse width distortion percentage is based upon a $2\ \mu\text{s}$ bit time.

Table 1. Switching Performance of the Various Current Threshold Bins of H11LxM

Device ID	LED Current, IF (mA)	t_{PHL} (ns)	t_{PLH} (ns)	PWD (ns)	PWD (%)	Date Rate (Kbaud)
H11L1M	2	854	1056	202	10	>1000
H11L2M	12	336	1640	1300	63	200
H11L3M	6	555	1600	1045	50	240

The data propagation delay and Pulse Width Distortion (PWD) is data format dependent. This is due to the carrier lifetime of the LED, and the storage time of the output amplifier. The t_{PHL} is peak current dependent, the larger the peak current, the faster the transition time. The H11LxM family is a linear amplifier that is typically driven into saturation. This saturated amplifier is connected to a Schmitt trigger circuit that controls output transistor. As the LED current is increased, the amplifier is driven further into saturation. This overdrive results in excess storage charge in the base emitter junctions of the BJTs found in the circuit. For the amplifier to turn-off, the excess base charge must be dissipated. Given the finite resistances in the integrated circuit - more stored charge means lower turn-off. The data in the table above illustrates the data handling versus LED drive and PWD.

The typical H11L3M is capable of supporting a 1 MBaud serial data clock if one is willing to tune, or adjust the peak LED current. Figure 2 below shows a typical H11L3M operating with a peak LED current of 3 mA.

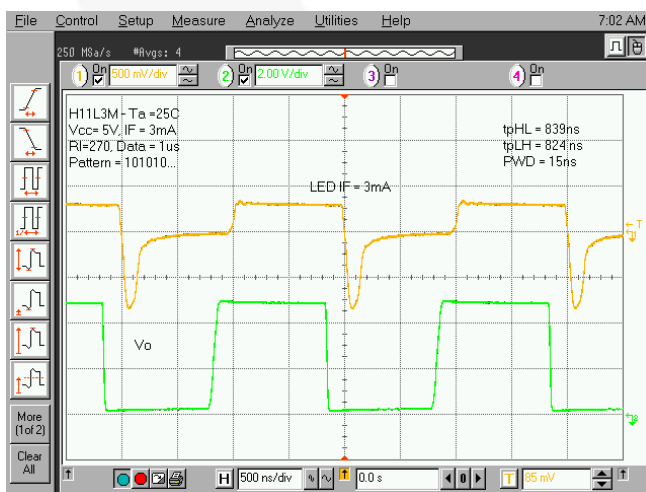


Figure 2. Switching Performance with Peak LED Current at 3 mA

Note that the $t_{PHL} = 839\text{ ns}$, $t_{PLH} = 824\text{ ns}$, and the PWD = 15 ns . The large undershoot of LED current represents the LED's carrier lifetime. In this case, it is between 100 and 150 ns.

Figure 3 illustrates the effect of increasing the LED current and the resulting excess charge, and slower turn-off time. The same H11L3M used in above evaluation is now operated with a peak current of 5 mA. Note that the t_{PHL} has dropped to 191 ns, and the t_{PLH} has extended to 1180 ns.

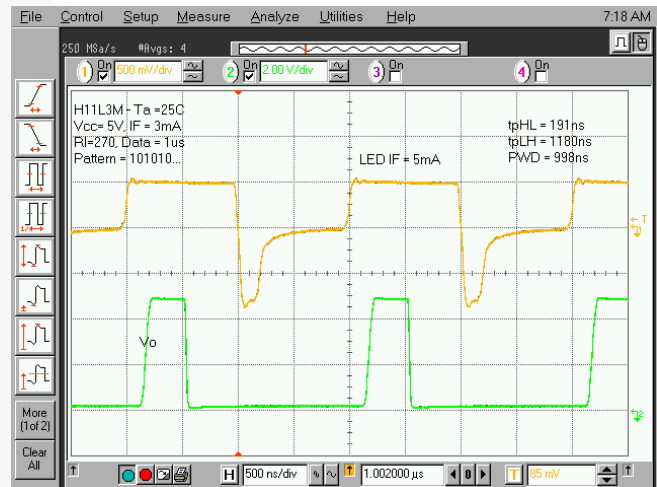


Figure 3. Switching Performance with Peak LED Current at 5 mA

The PWD is greater than the pulse period. This circuit operation would be considered appropriate if $2\ \mu\text{s}$ clock timing is expected. The leading edge repeats about every $2\ \mu\text{s}$. If the goal is serial data, then the maximum data rate would be 250 KHz ($4\ \mu\text{s}$ bit time). This data rate is based on the expected sampling technique of 4 times for either a UART or microprocessor's serial data port.

Figure 4 illustrates the relationship of PWD vs. LED forward current at a data rate of 1 MBaud for the H11L3M optocoupler. A standard test circuit consists of $50\ \Omega$ driving circuit and $270\ \Omega$ load. The circuit was evaluated with V_{CC} at both 5 V and 10 V. The curve shows very little PWD dependence versus supply voltage. The curve indicates that H11L3M has a "sweet spot" of 4 mA LED forward current versus pulse distortion. The PWD at this current is approximately 200 ns.

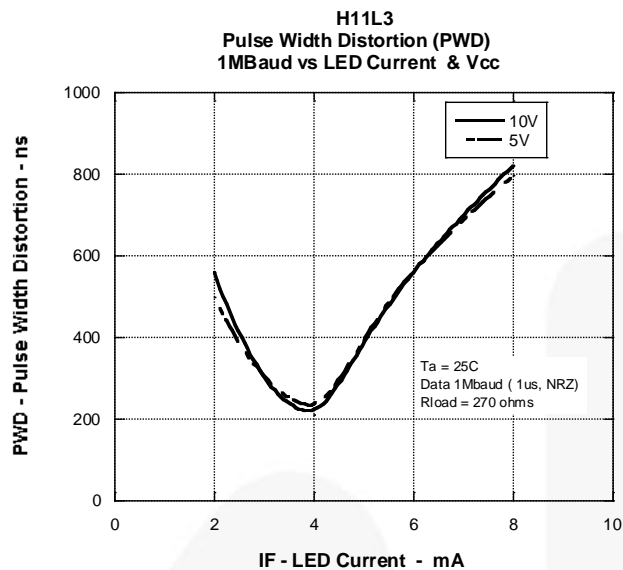


Figure 4. PWD vs. LED Forward Current

Conclusion

The H11L3M's LED forward current can be adjusted to operate the device to transmit a 1 MBaud data signaling rate. The device used in this investigation illustrates the compatibility. Are all H11L3Ms capable of working at 1Mbaud? No. Realistically, under worst-case conditions, the H11L3M's maximum data rate at recommended LED driving conditions of 5 mA is about 200 KBaud. Evaluation indicates that the H11L1M offered the tightest PWD when operated at its recommended LED current. This device with the lowest LED forward current would then be recommended for 1 Mbaud operation.

Recall the H11L3M was developed as an interface to high noise immunity logic ($V_{CC} = 15\text{ V}$). The typical application was transmitting a control pulse between a process controller and an item being controlled.

Today customers use serial and bused data networks where more than control edges are needed. For serial data communication about 1 Mbaud, the higher speed H11NxM family is recommended. This device family uses the high speed and high efficiency AlGaAs LED and a much higher speed trans-impedance driver amplifier.

Related Datasheets

[H11L1M Product Information](#)

[H11L2M Product Information](#)

[H11L3M Product Information](#)

[H11N1M Product Information](#)

[H11N2M Product Information](#)

DISCLAIMER

FAIRCHILD SEMICONDUCTOR RESERVES THE RIGHT TO MAKE CHANGES WITHOUT FURTHER NOTICE TO ANY PRODUCTS HEREIN TO IMPROVE RELIABILITY, FUNCTION, OR DESIGN. FAIRCHILD DOES NOT ASSUME ANY LIABILITY ARISING OUT OF THE APPLICATION OR USE OF ANY PRODUCT OR CIRCUIT DESCRIBED HEREIN; NEITHER DOES IT CONVEY ANY LICENSE UNDER ITS PATENT RIGHTS, NOR THE RIGHTS OF OTHERS.

LIFE SUPPORT POLICY

FAIRCHILD'S PRODUCTS ARE NOT AUTHORIZED FOR USE AS CRITICAL COMPONENTS IN LIFE SUPPORT DEVICES OR SYSTEMS WITHOUT THE EXPRESS WRITTEN APPROVAL OF THE PRESIDENT OF FAIRCHILD SEMICONDUCTOR CORPORATION.

As used herein:

1. Life support devices or systems are devices or systems which, (a) are intended for surgical implant into the body, or (b) support or sustain life, or (c) whose failure to perform when properly used in accordance with instructions for use provided in the labeling, can be reasonably expected to result in significant injury to the user.
2. A critical component is any component of a life support device or system whose failure to perform can be reasonably expected to cause the failure of the life support device or system, or to affect its safety or effectiveness.

ON Semiconductor and  are trademarks of Semiconductor Components Industries, LLC dba ON Semiconductor or its subsidiaries in the United States and/or other countries. ON Semiconductor owns the rights to a number of patents, trademarks, copyrights, trade secrets, and other intellectual property. A listing of ON Semiconductor's product/patent coverage may be accessed at www.onsemi.com/site/pdf/Patent-Marking.pdf. ON Semiconductor reserves the right to make changes without further notice to any products herein. ON Semiconductor makes no warranty, representation or guarantee regarding the suitability of its products for any particular purpose, nor does ON Semiconductor assume any liability arising out of the application or use of any product or circuit, and specifically disclaims any and all liability, including without limitation special, consequential or incidental damages. Buyer is responsible for its products and applications using ON Semiconductor products, including compliance with all laws, regulations and safety requirements or standards, regardless of any support or applications information provided by ON Semiconductor. "Typical" parameters which may be provided in ON Semiconductor data sheets and/or specifications can and do vary in different applications and actual performance may vary over time. All operating parameters, including "Typicals" must be validated for each customer application by customer's technical experts. ON Semiconductor does not convey any license under its patent rights nor the rights of others. ON Semiconductor products are not designed, intended, or authorized for use as a critical component in life support systems or any FDA Class 3 medical devices or medical devices with a same or similar classification in a foreign jurisdiction or any devices intended for implantation in the human body. Should Buyer purchase or use ON Semiconductor products for any such unintended or unauthorized application, Buyer shall indemnify and hold ON Semiconductor and its officers, employees, subsidiaries, affiliates, and distributors harmless against all claims, costs, damages, and expenses, and reasonable attorney fees arising out of, directly or indirectly, any claim of personal injury or death associated with such unintended or unauthorized use, even if such claim alleges that ON Semiconductor was negligent regarding the design or manufacture of the part. ON Semiconductor is an Equal Opportunity/Affirmative Action Employer. This literature is subject to all applicable copyright laws and is not for resale in any manner.

PUBLICATION ORDERING INFORMATION

LITERATURE FULFILLMENT:

Literature Distribution Center for ON Semiconductor
19521 E. 32nd Pkwy, Aurora, Colorado 80011 USA
Phone: 303-675-2175 or 800-344-3860 Toll Free USA/Canada
Fax: 303-675-2176 or 800-344-3867 Toll Free USA/Canada
Email: orderlit@onsemi.com

N. American Technical Support: 800-282-9855 Toll Free
USA/Canada
Europe, Middle East and Africa Technical Support:
Phone: 421 33 790 2910
Japan Customer Focus Center
Phone: 81-3-5817-1050

ON Semiconductor Website: www.onsemi.com
Order Literature: <http://www.onsemi.com/orderlit>
For additional information, please contact your local
Sales Representative