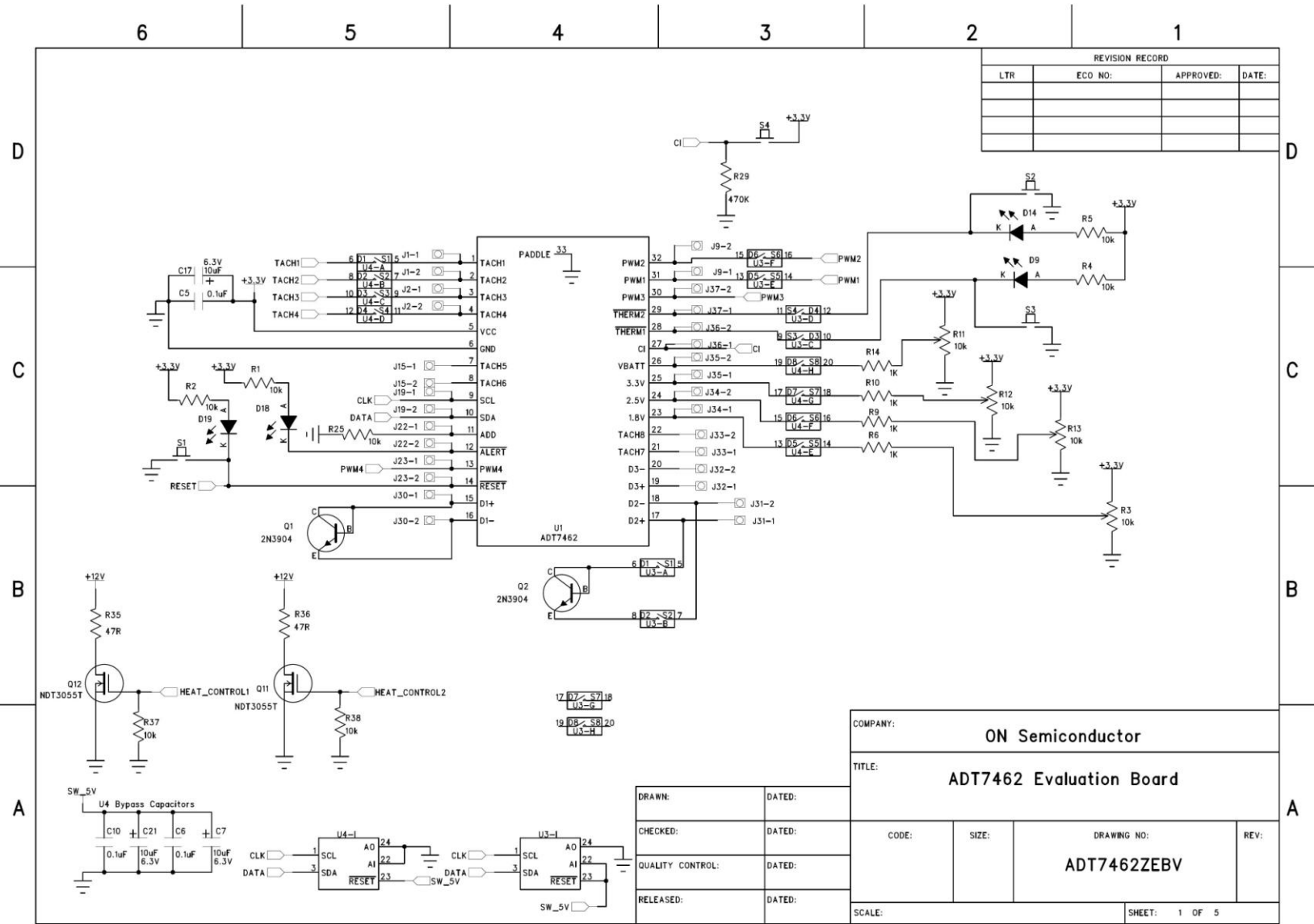




# Schematics for the ADT7462EBZEV B Evaluation Board





6

5

4

3

2

1

REVISION RECORD			
LTR	ECO NO.	APPROVED:	DATE:

FAN 1 Drive Circuitry

FAN 2 Drive Circuitry

D

D

C

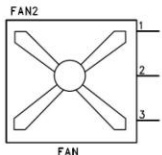
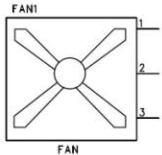
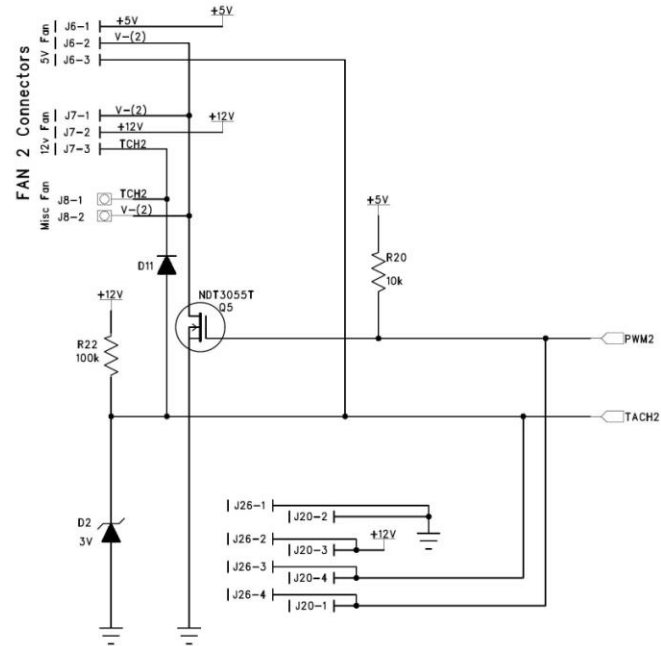
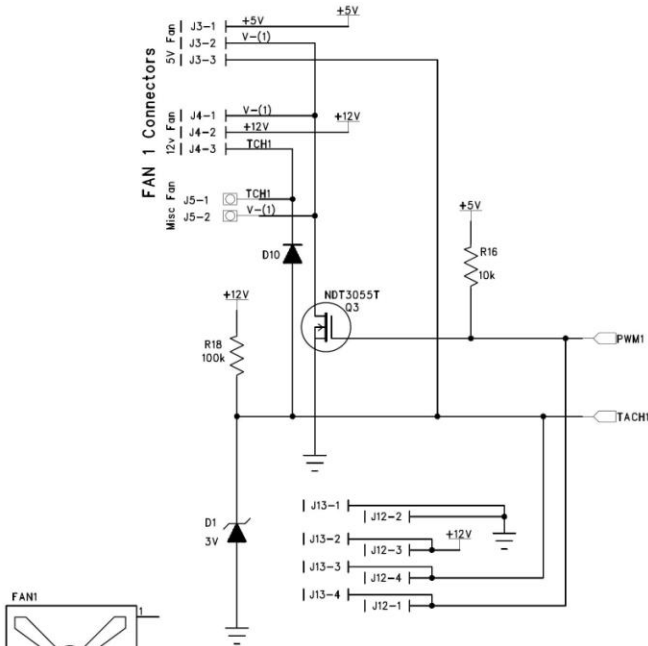
C

B

B

A

A



COMPANY:			
ON Semiconductor			
TITLE:			
ADT7462 Evaluation Board			
CHECKED:	DATED:	CODE:	SIZE:
QUALITY CONTROL:	DATED:	DRAWING NO:	
RELEASED:	DATED:	ADT7462ZEBV	
SCALE:			SHEET: 2 OF 5



6

5

4

3

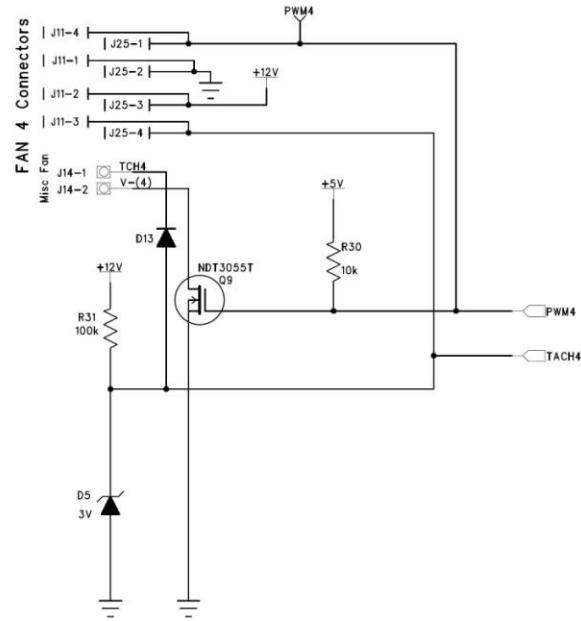
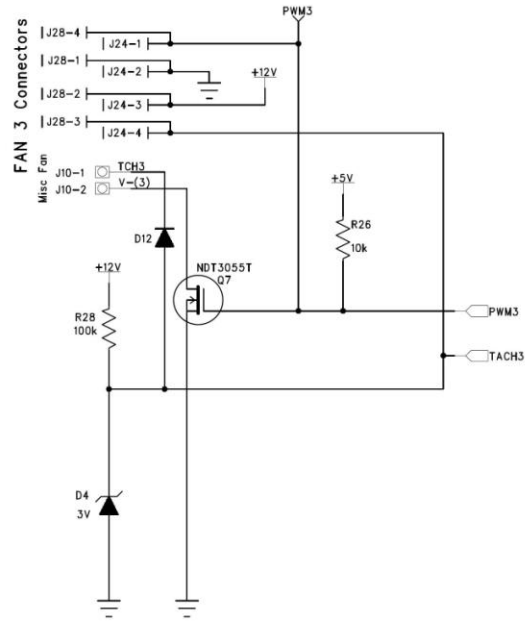
2

1

REVISION RECORD			
LTR	ECO NO:	APPROVED:	DATE:

FAN 3 Drive Circuitry

FAN 4 Drive Circuitry

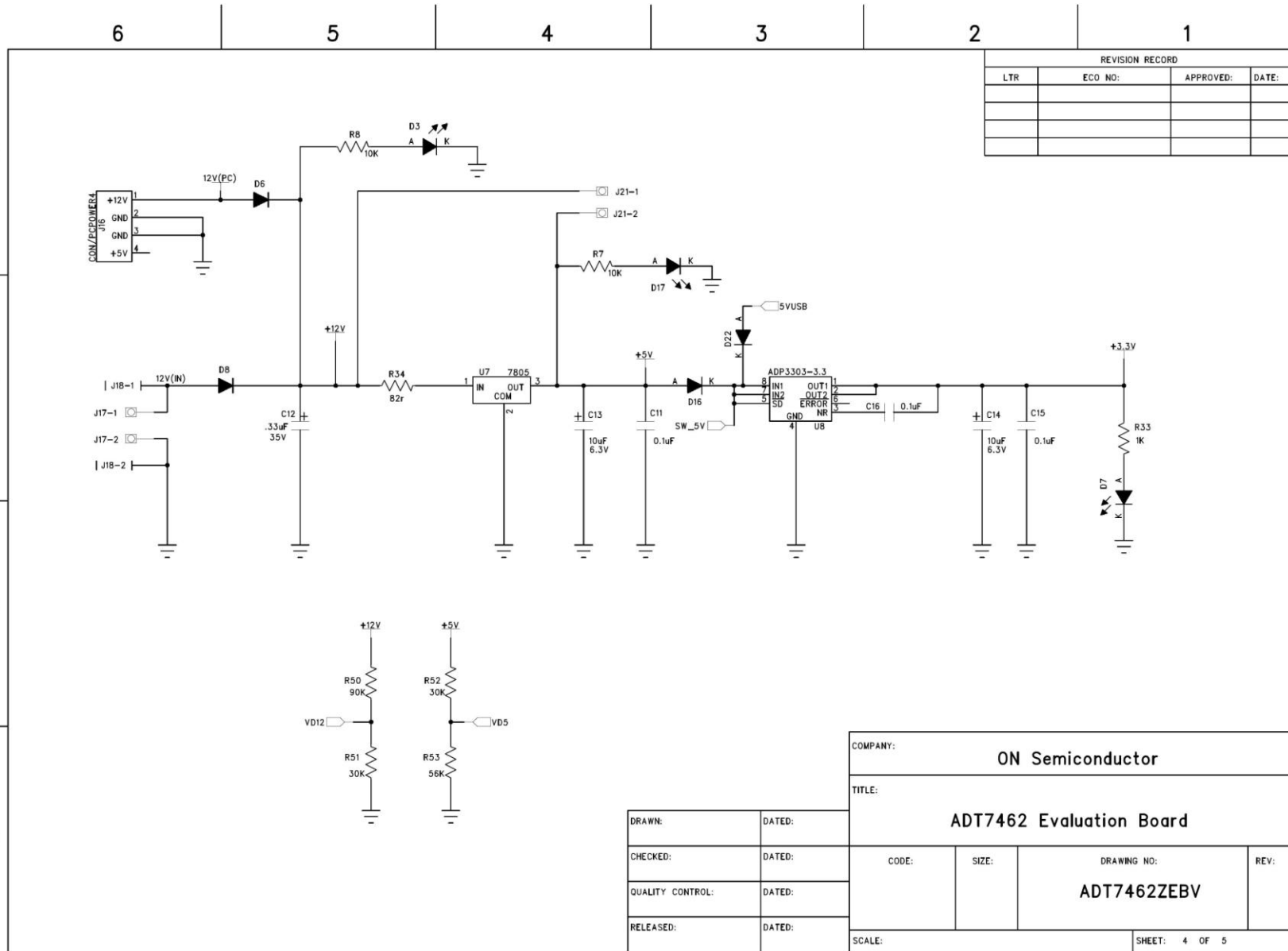


COMPANY:			
ON Semiconductor			
TITLE:			
ADT7462 Evaluation Board			
CODE:	SIZE:	DRAWING NO:	REV:
		ADT7462ZEBV	
SCALE:			SHEET: 3 OF 5

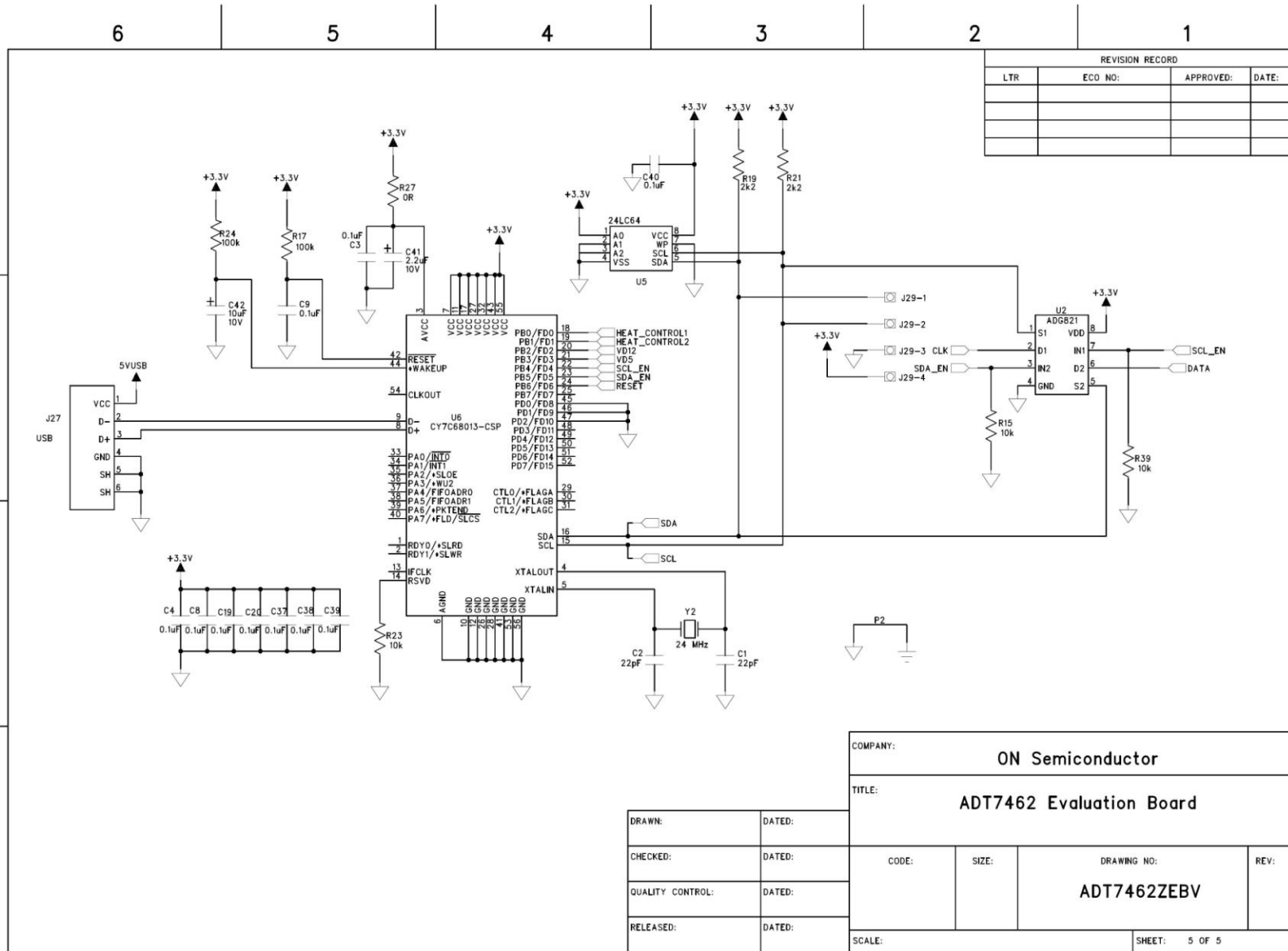
DRAWN:	DATED:
CHECKED:	DATED:
QUALITY CONTROL:	DATED:
RELEASED:	DATED:

D  
C  
B  
A

D  
C  
B  
A



COMPANY:			
ON Semiconductor			
TITLE:			
ADT7462 Evaluation Board			
CHECKED:	DATED:	CODE:	SIZE:
QUALITY CONTROL:	DATED:	DRAWING NO:	
RELEASED:	DATED:	ADT7462ZEBV	
SCALE:			SHEET: 4 OF 5



REVISION RECORD			
LTR	ECO NO.	APPROVED:	DATE:

COMPANY:			
ON Semiconductor			
TITLE:			
ADT7462 Evaluation Board			
DRAWN:	DATED:	CODE:	SIZE:
CHECKED:	DATED:	DRAWING NO:	
QUALITY CONTROL:	DATED:	ADT7462ZEBV	
RELEASED:	DATED:	SCALE:	SHEET: 5 OF 5