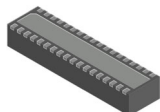


MECHANICAL CASE OUTLINE

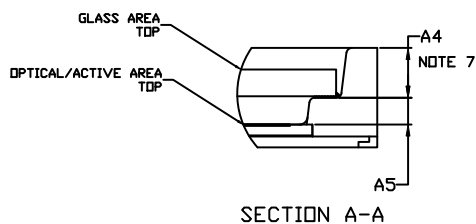
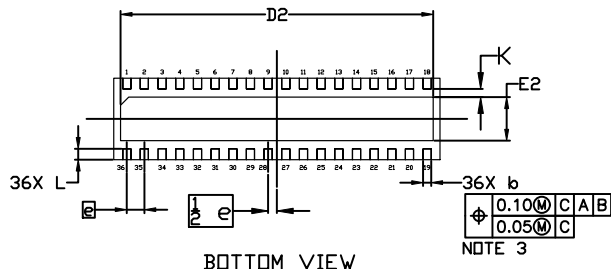
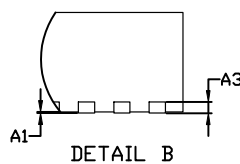
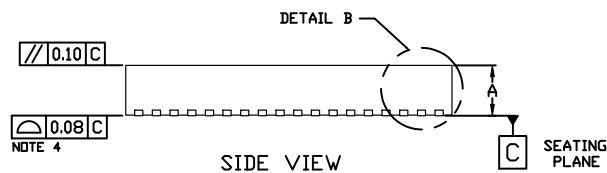
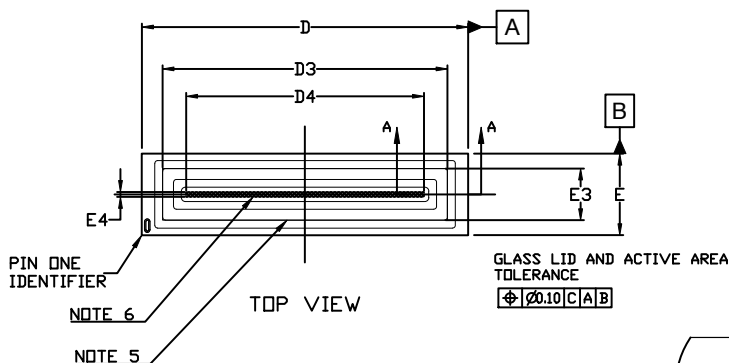
PACKAGE DIMENSIONS

ON Semiconductor®



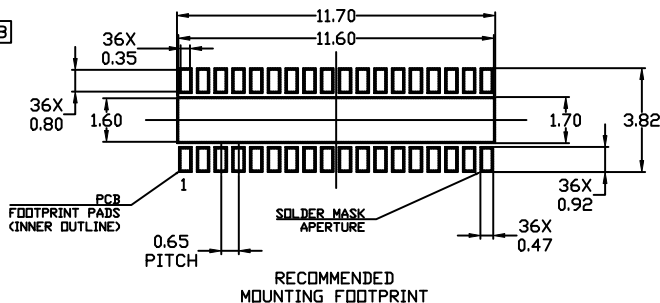
DFN36 12x3, 0.65P CASE 506EV ISSUE A

DATE 11 DEC 2020



- NOTES:
1. DIMENSIONING AND TOLERANCING PER ASME Y14.5M, 2009.
 2. CONTROLLING DIMENSION: MILLIMETERS
 3. DIMENSION b APPLIES TO PLATED TERMINAL AND IS MEASURED BETWEEN 0.15 AND 0.30 MM FROM THE TERMINAL TIP.
 4. COPLANARITY APPLIES TO THE EXPOSED PAD AS WELL AS THE TERMINALS.
 5. GLASS LID AREA, 0.4mm THICKNESS, DEFINED BY D3 & E3.
 6. OPTICAL/ACTIVE AREA IS CENTERED.
 7. GLASS LID PLACEMENT. OUTER FLAT AREA APPROXIMATELY SIMILAR TO LID WIDTH AND LENGTH.

DIM	MILLIMETERS		
	MIN.	NOM.	MAX.
A	1.75	1.85	1.95
A1	0.00	---	0.05
A3	0.203 REF		
A4	0.927 REF		
A5	0.500 REF		
b	0.25	0.30	0.35
D	11.90	12.00	12.10
D2	11.40	11.50	11.60
D3	10.47 REF		
D4	8.753 REF		
E	2.90	3.00	3.10
E2	1.50	1.60	1.70
E3	1.90 REF		
E4	0.18 REF		
e	0.65 BSC		
K	0.10	---	---
L	0.35	0.40	0.45



* For additional information on our Pb-Free strategy and soldering details, please download the ON Semiconductor Soldering and Mounting Techniques Reference Manual, SLDERRM/D.

DOCUMENT NUMBER:	98AON13354H	Electronic versions are uncontrolled except when accessed directly from the Document Repository. Printed versions are uncontrolled except when stamped "CONTROLLED COPY" in red.
DESCRIPTION:	DFN36 12x3, 0.65P	PAGE 1 OF 1

ON Semiconductor and are trademarks of Semiconductor Components Industries, LLC dba ON Semiconductor or its subsidiaries in the United States and/or other countries. ON Semiconductor reserves the right to make changes without further notice to any products herein. ON Semiconductor makes no warranty, representation or guarantee regarding the suitability of its products for any particular purpose, nor does ON Semiconductor assume any liability arising out of the application or use of any product or circuit, and specifically disclaims any and all liability, including without limitation special, consequential or incidental damages. ON Semiconductor does not convey any license under its patent rights nor the rights of others.