

MECHANICAL CASE OUTLINE

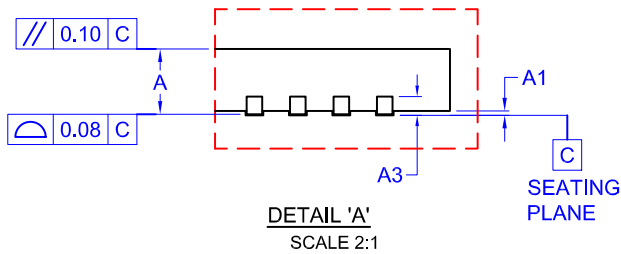
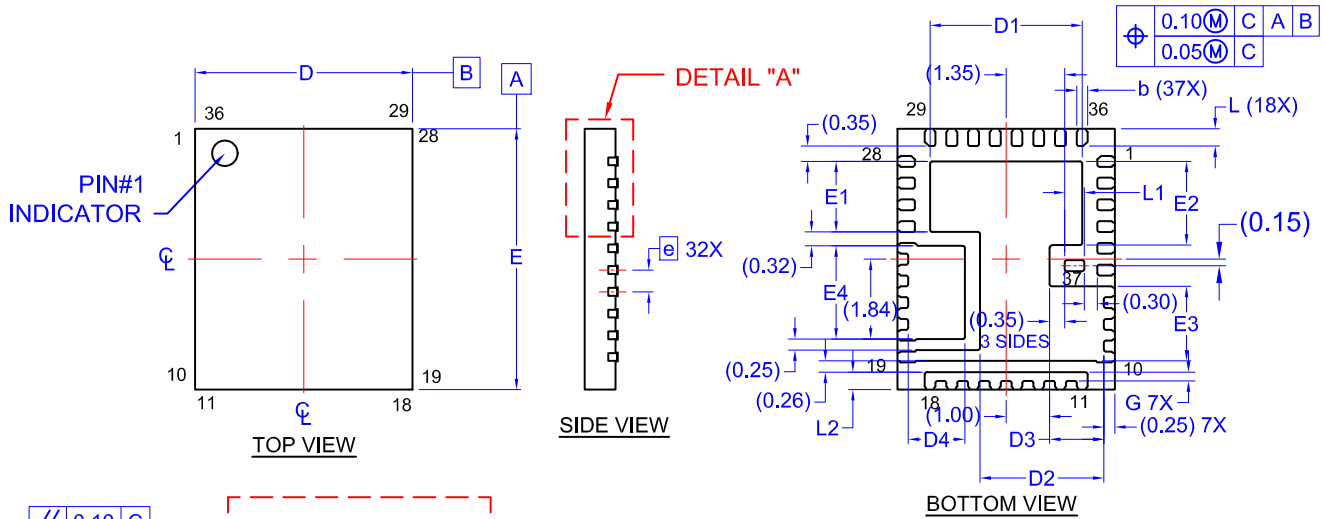
PACKAGE DIMENSIONS

ON Semiconductor®

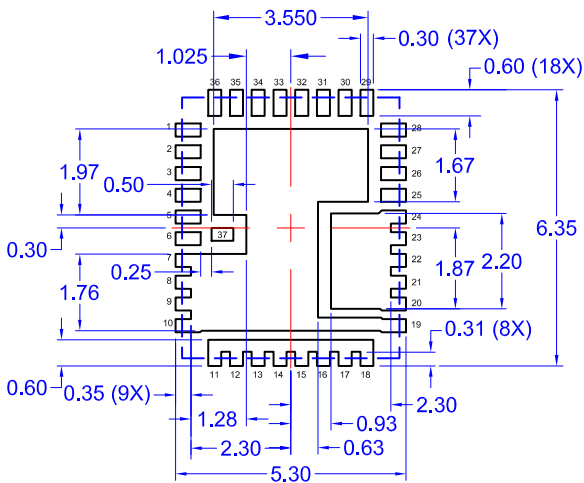


PQFN37 5x6, 0.5P
CASE 483BZ
ISSUE O

DATE 13 DEC 2017



DIM	MILLIMETERS			DIM	MILLIMETERS		
	MIN	NOM	MAX		MIN	NOM	MAX
A	0.70	0.75	0.80	E4	2.04	2.14	2.24
A1	0.00	-	0.05	e	0.50 BSC		
A3	0.20 REF			G	0.15	0.20	0.25
b	0.20	0.25	0.30	L	0.30	0.40	0.50
D	4.90	5.00	5.10	L1	0.35	0.45	0.55
D1	3.40	3.50	3.60	L2	0.30	0.40	0.50
D2	2.75	2.85	2.95	M	0.35	0.45	0.55
D3	1.15	1.25	1.35				
D4	1.20	1.30	1.40				
E	5.90	6.00	6.10				
E1	1.52	1.62	1.72				
E2	1.82	1.92	2.02				
E3	1.62	1.72	1.82				



NOTES: UNLESS OTHERWISE SPECIFIED

- A) ALL DIMENSIONS ARE IN MILLIMETERS.
- B) DIMENSIONS DO NOT INCLUDE BURRS OR MOLD FLASH. MOLD FLASH OR BURRS DOES NOT EXCEED 0.10MM.

DOCUMENT NUMBER:	98AON66497G	Electronic versions are uncontrolled except when accessed directly from the Document Repository. Printed versions are uncontrolled except when stamped "CONTROLLED COPY" in red.
DESCRIPTION:	PQFN37 5X6, 0.5P	PAGE 1 OF 1

ON Semiconductor and are trademarks of Semiconductor Components Industries, LLC dba ON Semiconductor or its subsidiaries in the United States and/or other countries. ON Semiconductor reserves the right to make changes without further notice to any products herein. ON Semiconductor makes no warranty, representation or guarantee regarding the suitability of its products for any particular purpose, nor does ON Semiconductor assume any liability arising out of the application or use of any product or circuit, and specifically disclaims any and all liability, including without limitation special, consequential or incidental damages. ON Semiconductor does not convey any license under its patent rights nor the rights of others.