

# MECHANICAL CASE OUTLINE

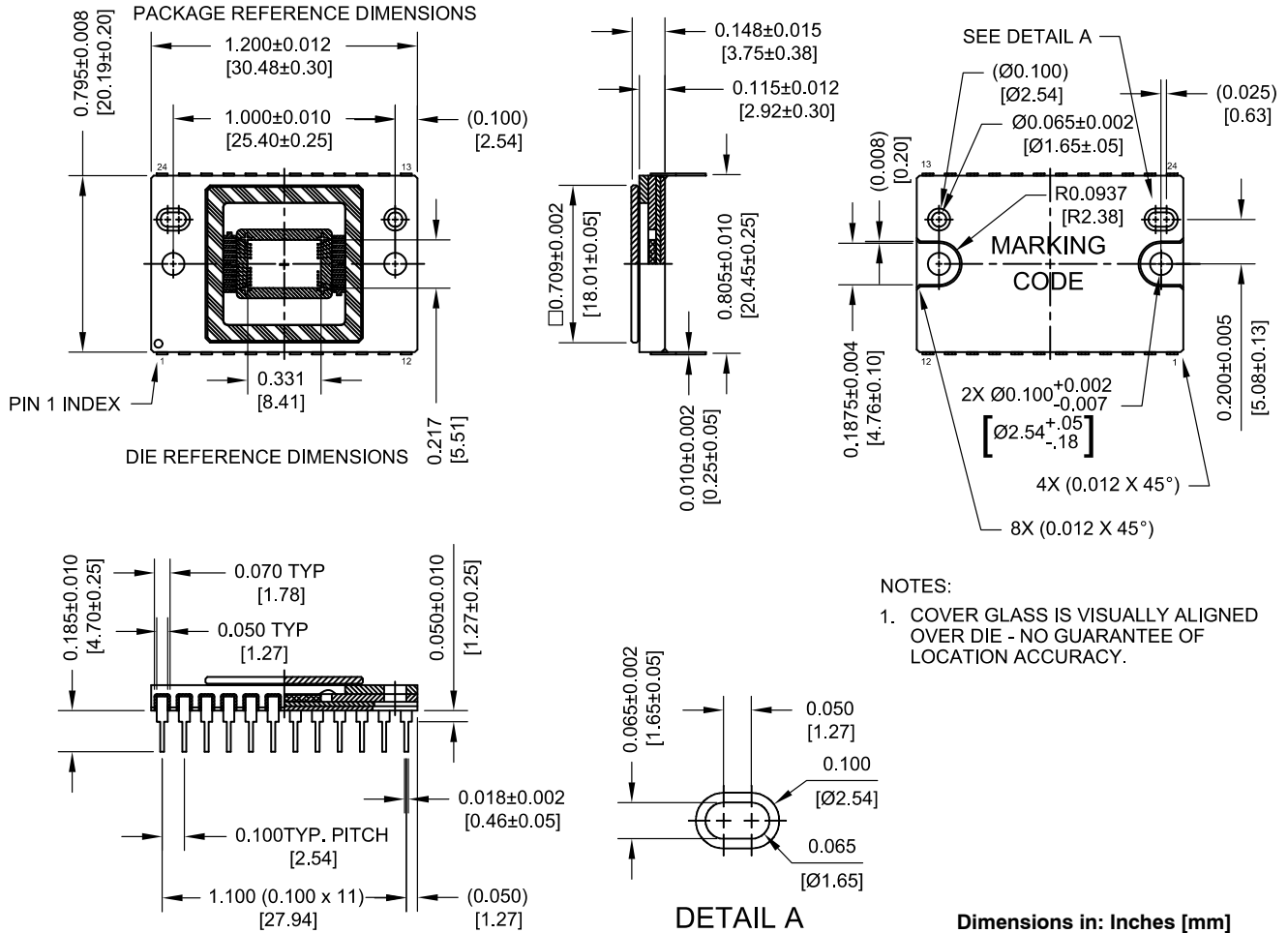
## PACKAGE DIMENSIONS

ON Semiconductor®



### CERAMIC DIP 24, 30.48x20.19 CASE 125AY ISSUE O

DATE 30 JUL 2014

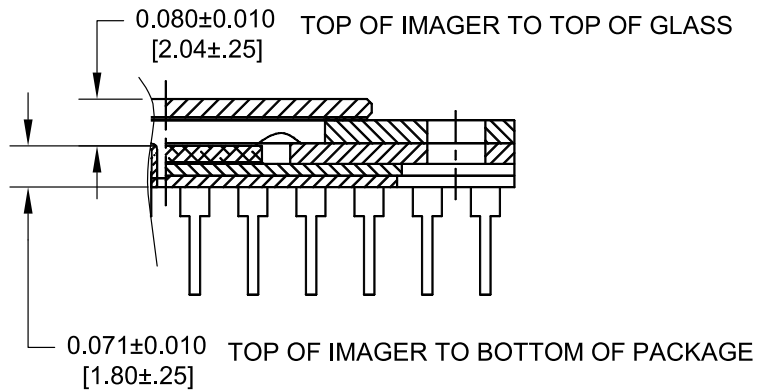
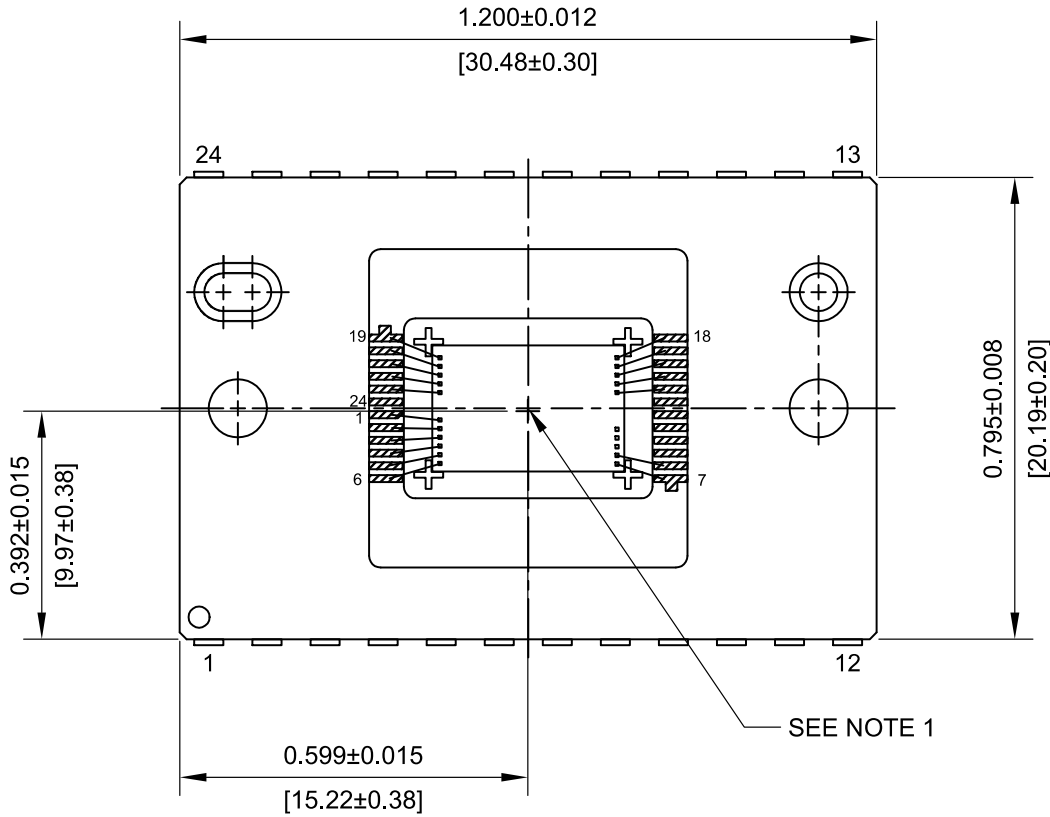


|                         |                                    |   |
|-------------------------|------------------------------------|---|
| <b>DOCUMENT NUMBER:</b> | <b>98AON87216F</b>                 | Electronic versions are uncontrolled except when accessed directly from the Document Repository.<br>Printed versions are uncontrolled except when stamped "CONTROLLED COPY" in red. |
| <b>DESCRIPTION:</b>     | <b>CERAMIC DIP 24, 30.48x20.19</b> | <b>PAGE 1 OF 2</b>  |

ON Semiconductor and are trademarks of Semiconductor Components Industries, LLC dba ON Semiconductor or its subsidiaries in the United States and/or other countries. ON Semiconductor reserves the right to make changes without further notice to any products herein. ON Semiconductor makes no warranty, representation or guarantee regarding the suitability of its products for any particular purpose, nor does ON Semiconductor assume any liability arising out of the application or use of any product or circuit, and specifically disclaims any and all liability, including without limitation special, consequential or incidental damages. ON Semiconductor does not convey any license under its patent rights nor the rights of others.

**CERAMIC DIP 24, 30.48x20.19**  
CASE 125AY  
ISSUE O

DATE 30 JUL 2014



**NOTES:**

1. CENTER OF IMAGE AREA IS OFFSET FROM CENTER OF PACKAGE BY (-0.02,-0.13)mm NOMINAL.
2. DIE IS VISUALLY ALIGNED WITHIN ± 2° OF ANY PACKAGE CAVITY EDGE.

**Dimensions in: Inches [mm]**

|                         |                                    |  |
|-------------------------|------------------------------------|--|
| <b>DOCUMENT NUMBER:</b> | <b>98AON87216F</b>                 | Electronic versions are uncontrolled except when accessed directly from the Document Repository. Printed versions are uncontrolled except when stamped "CONTROLLED COPY" in red. |
| <b>DESCRIPTION:</b>     | <b>CERAMIC DIP 24, 30.48x20.19</b> | <b>PAGE 2 OF 2</b>   |

ON Semiconductor and are trademarks of Semiconductor Components Industries, LLC dba ON Semiconductor or its subsidiaries in the United States and/or other countries. ON Semiconductor reserves the right to make changes without further notice to any products herein. ON Semiconductor makes no warranty, representation or guarantee regarding the suitability of its products for any particular purpose, nor does ON Semiconductor assume any liability arising out of the application or use of any product or circuit, and specifically disclaims any and all liability, including without limitation special, consequential or incidental damages. ON Semiconductor does not convey any license under its patent rights nor the rights of others.