

MECHANICAL CASE OUTLINE

PACKAGE DIMENSIONS

ON Semiconductor®

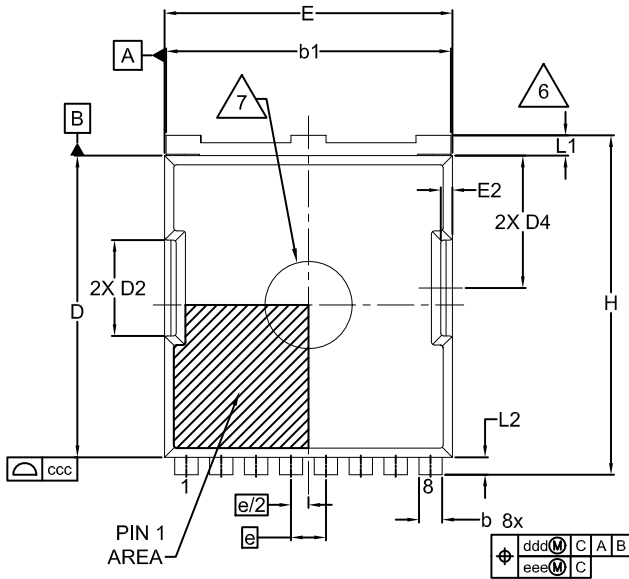


H-PSOF8L 9.90x11.68, 1.20P

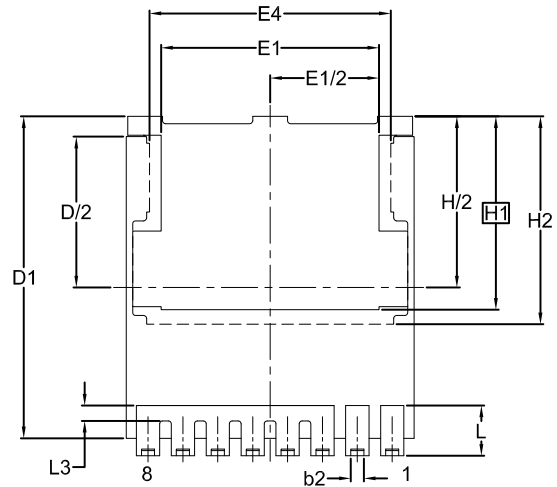
CASE 100DC

ISSUE O

DATE 08 AUG 2018



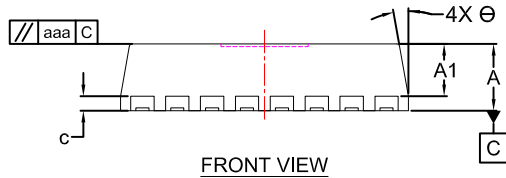
TOP VIEW



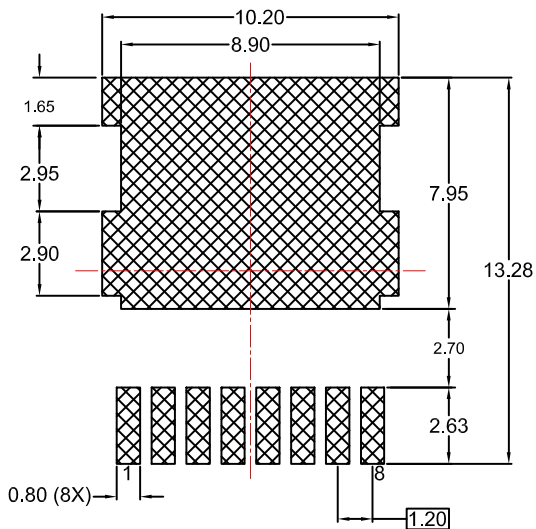
BOTTOM VIEW

NOTES:

1. DIMENSIONING AND TOLERANCING PER ASME Y14.5M, 2009.
2. CONTROLLING DIMENSION: MILLIMETERS.
3. COPLANARITY APPLIES TO THE EXPOSED PADS AS WELL AS THE TERMINALS.
4. DIMENSIONS D AND E DO NOT INCLUDE MOLD FLASH, PROTRUSIONS OR GATE BURRS.



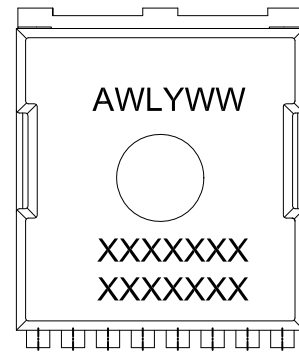
FRONT VIEW



RECOMMENDED LAND PATTERN

DIM	MILLIMETERS		
	MIN.	NOM.	MAX.
A	2.20	2.30	2.40
A1	1.70	1.80	1.90
b	0.70	0.80	0.90
b1	9.70	9.80	9.90
b2	0.35	0.45	0.55
c	0.40	0.50	0.60
D	10.28	10.38	10.48
D1	10.98	11.08	11.18
D2	3.20	3.30	3.40
D/2	5.09	5.19	5.29
D4	4.45	4.55	4.65
E	9.80	9.90	10.00
E1	7.40	7.50	7.60
E2	0.30	0.40	0.50
E4	8.20	8.30	8.40
e	1.20 BSC		
H	11.58	11.68	11.78
H1	6.66 BSC		
H2	7.05	7.15	7.25
H/2	5.79	5.89	5.99
L	1.63	1.73	1.83
L1	0.60	0.70	0.80
L2	0.50	0.60	0.70
L3	0.43	0.53	0.63
Ø	10° REF.		
aaa	0.20		
ccc	0.20		
ddd	0.25		
eee	0.20		

GENERIC MARKING DIAGRAM*



- A = ASSY LOCATION
- WL = WAFER LOT CODE
- Y = YEAR CODE
- WW = WORK WEEK CODE
- XXXXXXX = DEVICE CODE
- XXXXXXX = DEVICE CODE

*THIS INFORMATION IS GENERIC. PLEASE REFER TO DEVICE DATA SHEET FOR ACTUAL PART MARKING.

DOCUMENT NUMBER:	98AON80466G	Electronic versions are uncontrolled except when accessed directly from the Document Repository. Printed versions are uncontrolled except when stamped "CONTROLLED COPY" in red.
DESCRIPTION:	H-PSOF8L 9.90x11.68, 1.20P	PAGE 1 OF 1

ON Semiconductor and are trademarks of Semiconductor Components Industries, LLC dba ON Semiconductor or its subsidiaries in the United States and/or other countries. ON Semiconductor reserves the right to make changes without further notice to any products herein. ON Semiconductor makes no warranty, representation or guarantee regarding the suitability of its products for any particular purpose, nor does ON Semiconductor assume any liability arising out of the application or use of any product or circuit, and specifically disclaims any and all liability, including without limitation special, consequential or incidental damages. ON Semiconductor does not convey any license under its patent rights nor the rights of others.