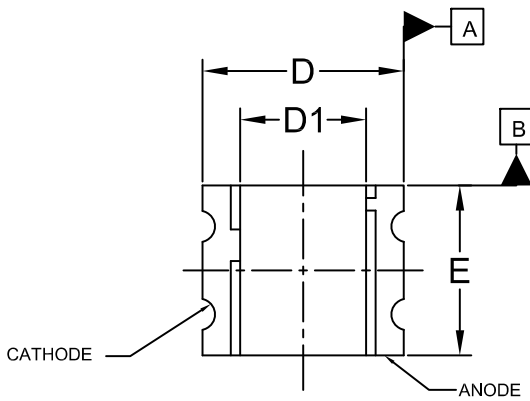




**4 LEAD SMD PHOTODIODE**  
**CASE 100DB**  
**ISSUE O**

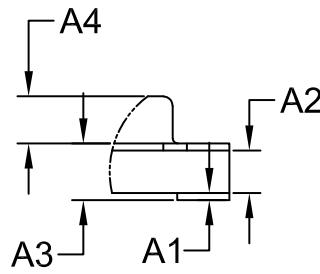
DATE 04 JAN 2018



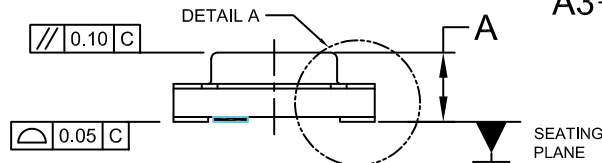
TOP VIEW

NOTES:

1. DIMENSIONING AND TOLERANCING PER ASME Y14.5M, 1994.
2. CONTROLLING DIMENSION: MILLIMETERS
3. DIMENSION *b* APPLIES TO THE PLATED TERMINALS AND IS MEASURED BETWEEN 0.10 AND 0.20mm FROM THE TERMINAL TIP.
4. PINS ON EACH SIDE ARE ELECTRICALLY FUSED, i.e. PIN 1 TO PIN 4 AND PIN 2 TO PIN 3.

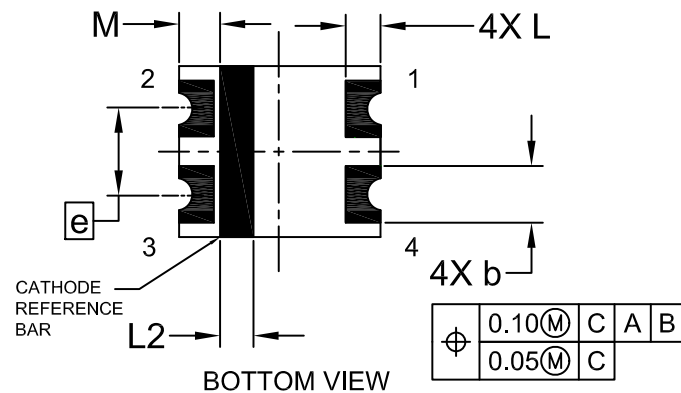


DETAIL A



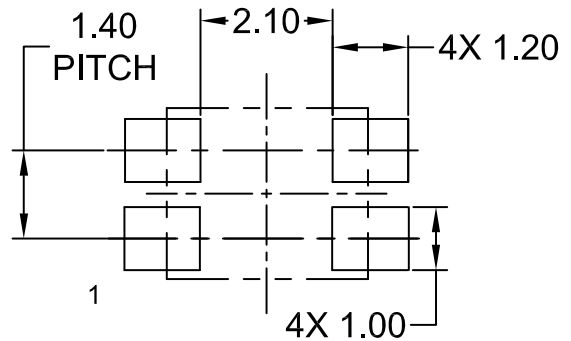
SIDE VIEW

DIM	MILLIMETERS		
	MIN.	NOM.	MAX.
A	1.00	1.10	1.20
A1	0.025	0.075	0.125
A2	0.45 REF		
A3	0.60 REF		
A4	0.40	0.50	0.60
b	0.85	0.90	0.95
D	3.10	3.20	3.30
D1	1.90	2.00	2.10
E	2.60	2.70	2.80
e	1.40 BSC		
L	0.45	0.55	0.65
L2	0.50 REF		
M	0.65 REF		



BOTTOM VIEW

NOTE 3



RECOMMENDED MOUNTING FOOTPRINT

<b>DOCUMENT NUMBER:</b>	<b>98AON81253G</b>	Electronic versions are uncontrolled except when accessed directly from the Document Repository. Printed versions are uncontrolled except when stamped "CONTROLLED COPY" in red.
<b>DESCRIPTION:</b>	<b>4 LEAD SMD PHOTODIODE</b>	<b>PAGE 1 OF 1</b>

ON Semiconductor and ON are trademarks of Semiconductor Components Industries, LLC dba ON Semiconductor or its subsidiaries in the United States and/or other countries. ON Semiconductor reserves the right to make changes without further notice to any products herein. ON Semiconductor makes no warranty, representation or guarantee regarding the suitability of its products for any particular purpose, nor does ON Semiconductor assume any liability arising out of the application or use of any product or circuit, and specifically disclaims any and all liability, including without limitation special, consequential or incidental damages. ON Semiconductor does not convey any license under its patent rights nor the rights of others.