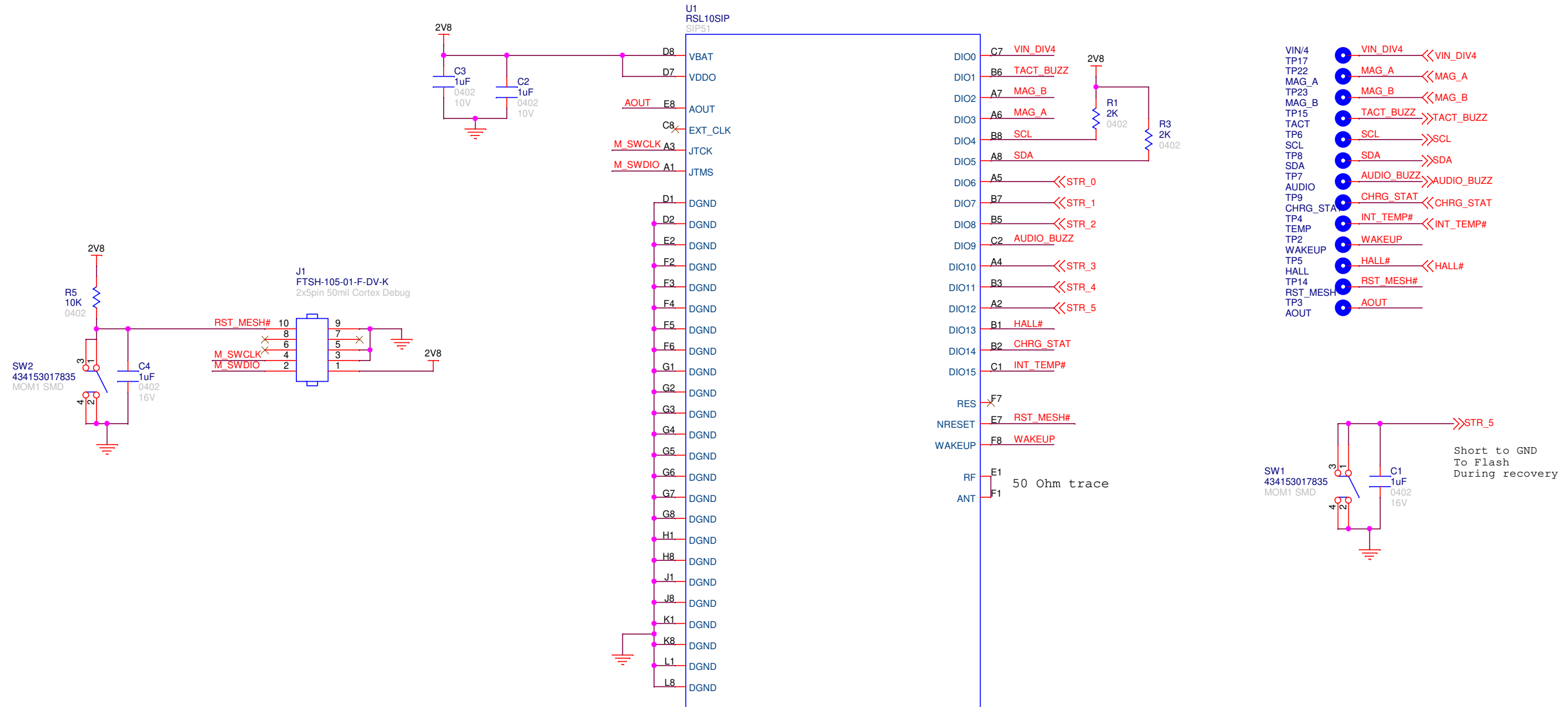




ON Semiconductor[®]
BLE Mesh Node

ON Semiconductor			
Title BLE Mesh Node			
Size Custom	Document Number ONSEC-19-025	Orderable Part Number STR-RSL10-MESH-NODE-GEVB	Rev REV2
Date:	Monday, March 16, 2020	Sheet 1 of 6	1

Mesh

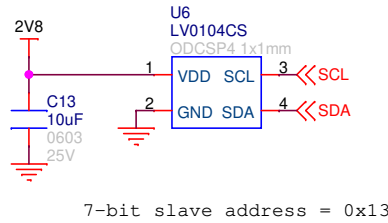


ON Semiconductor

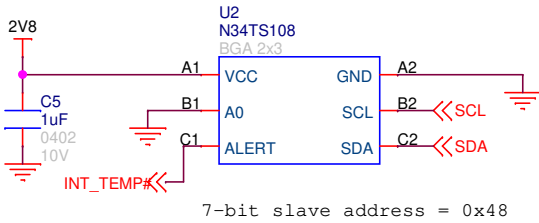
Title Mesh			
Size Custom	Document Number ONSEC-19-025	Orderable Part Number STR-RSL10-MESH-NODE-GEVB	Rev REV2
Date:	Monday, March 16, 2020	Sheet 3 of 6	1

Sensors

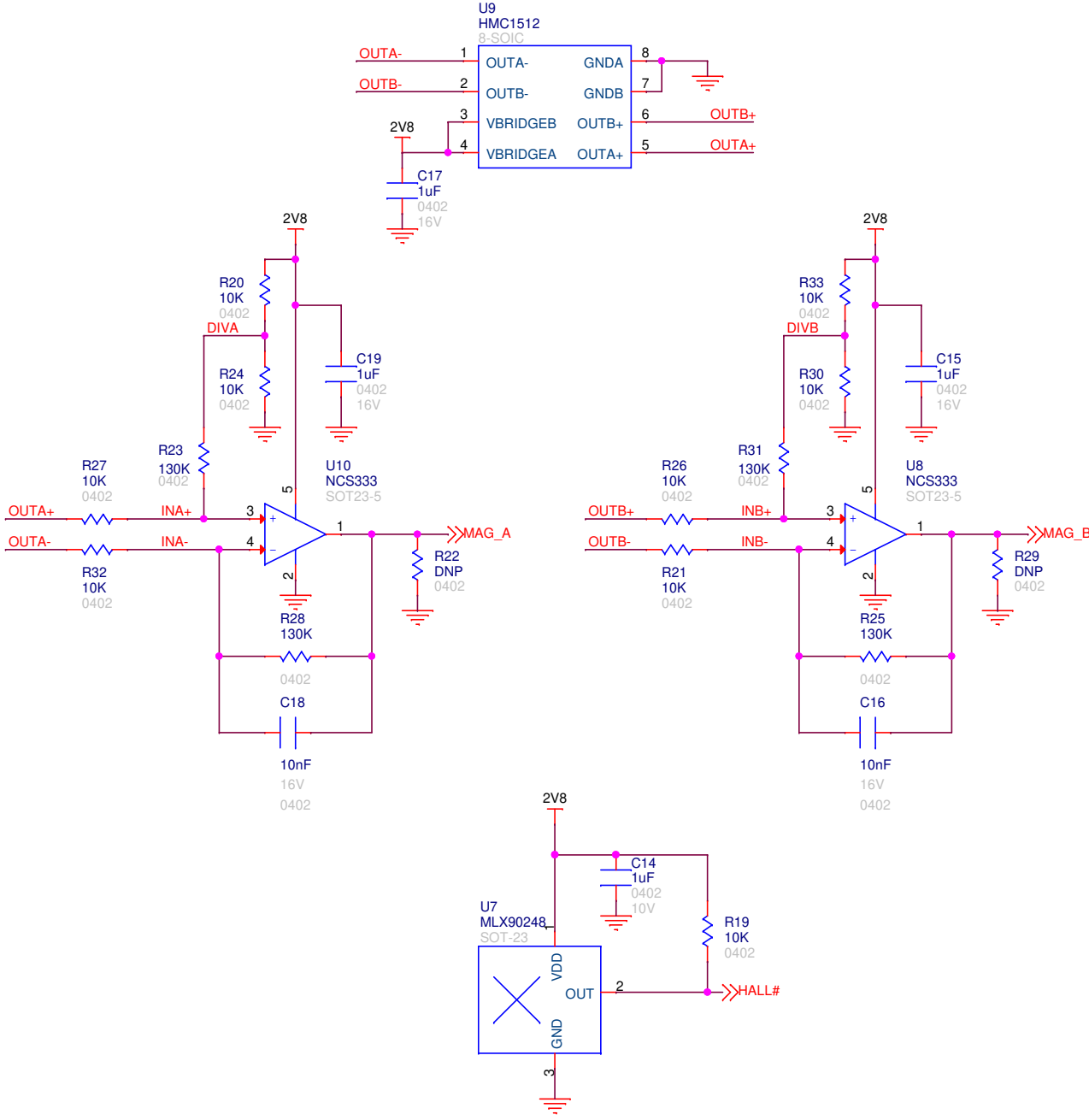
Ambient Light



Temperature

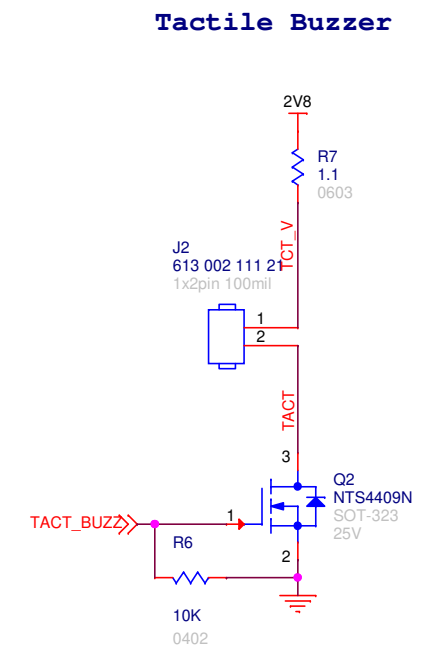
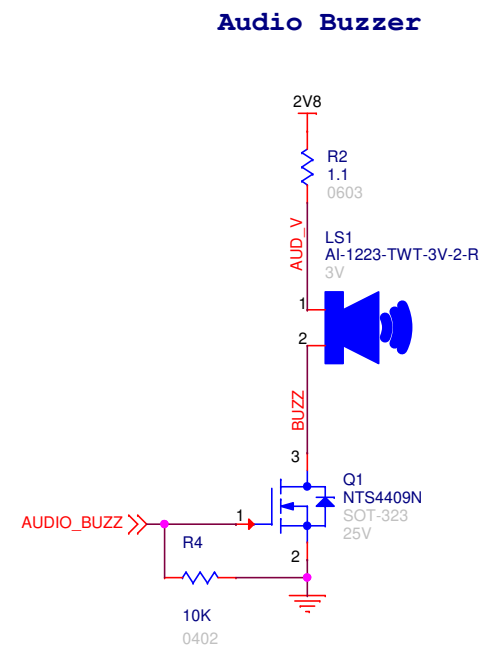
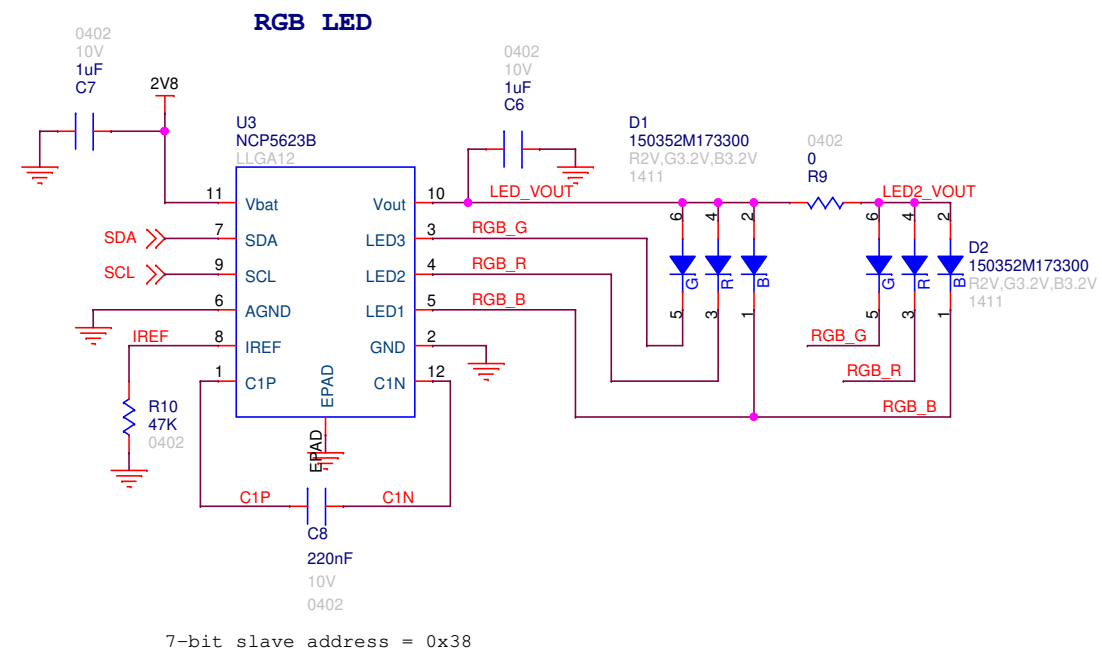


Magnetic



ON Semiconductor			
Title Sensors			
Size Custom	Document Number ONSEC-19-025	Orderable Part Number STR-RSL10-MESH-NODE-GEVB	Rev REV2
Date:	Monday, March 16, 2020	Sheet 4 of 6	1

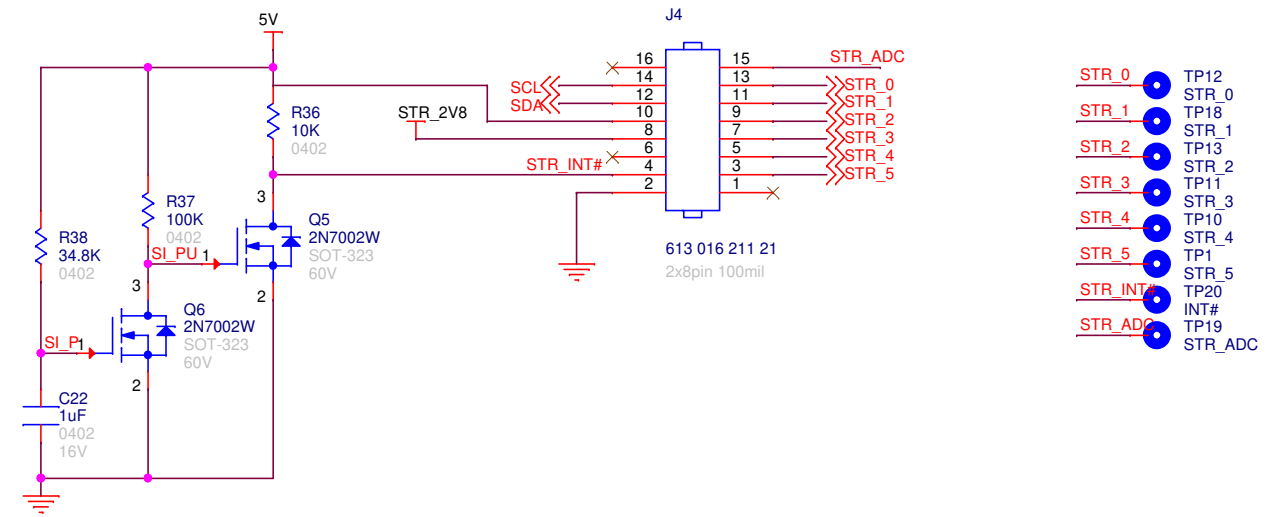
Indicators



ON Semiconductor

Title Indicators			
Size Custom	Document Number ONSEC-19-025	Orderable Part Number STR-RSL10-MESH-NODE-GEVB	Rev REV2
Date:	Monday, March 16, 2020	Sheet 5 of 6	1

Strata



- STR_0 TP12
- STR_1 TP18
- STR_2 TP13
- STR_3 TP11
- STR_4 TP10
- STR_5 TP1
- STR_INT# TP20
- STR_ADC TP19

ON Semiconductor			
Title Strata			
Size Custom	Document Number ONSEC-19-025	Orderable Part Number STR-RSL10-MESH-NODE-GEVB	Rev REV2
Date:	Monday, March 16, 2020	Sheet 6 of 6	1