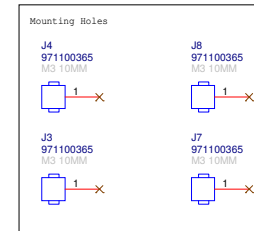
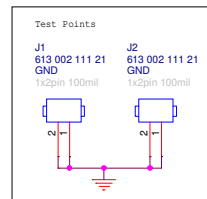
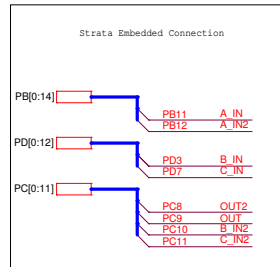
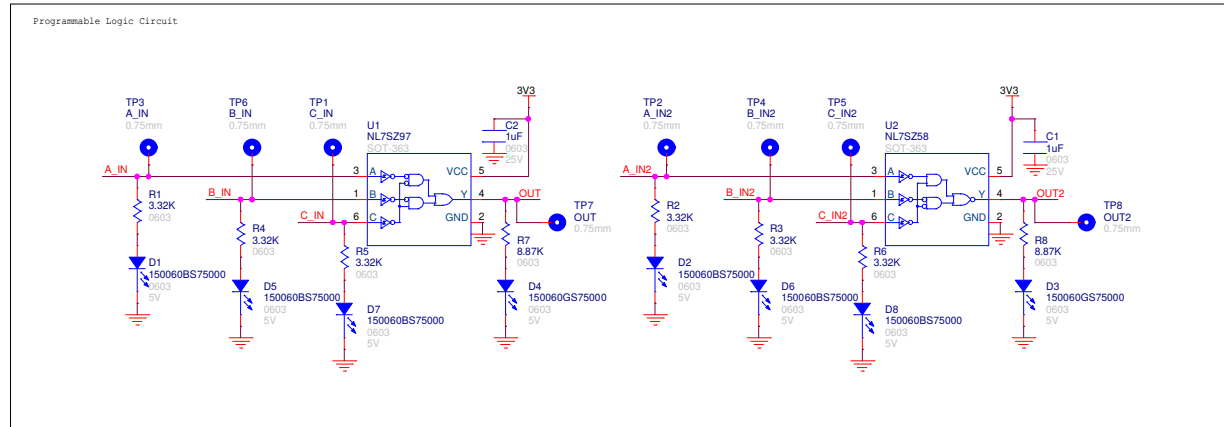




ON Semiconductor®
Logic Gates

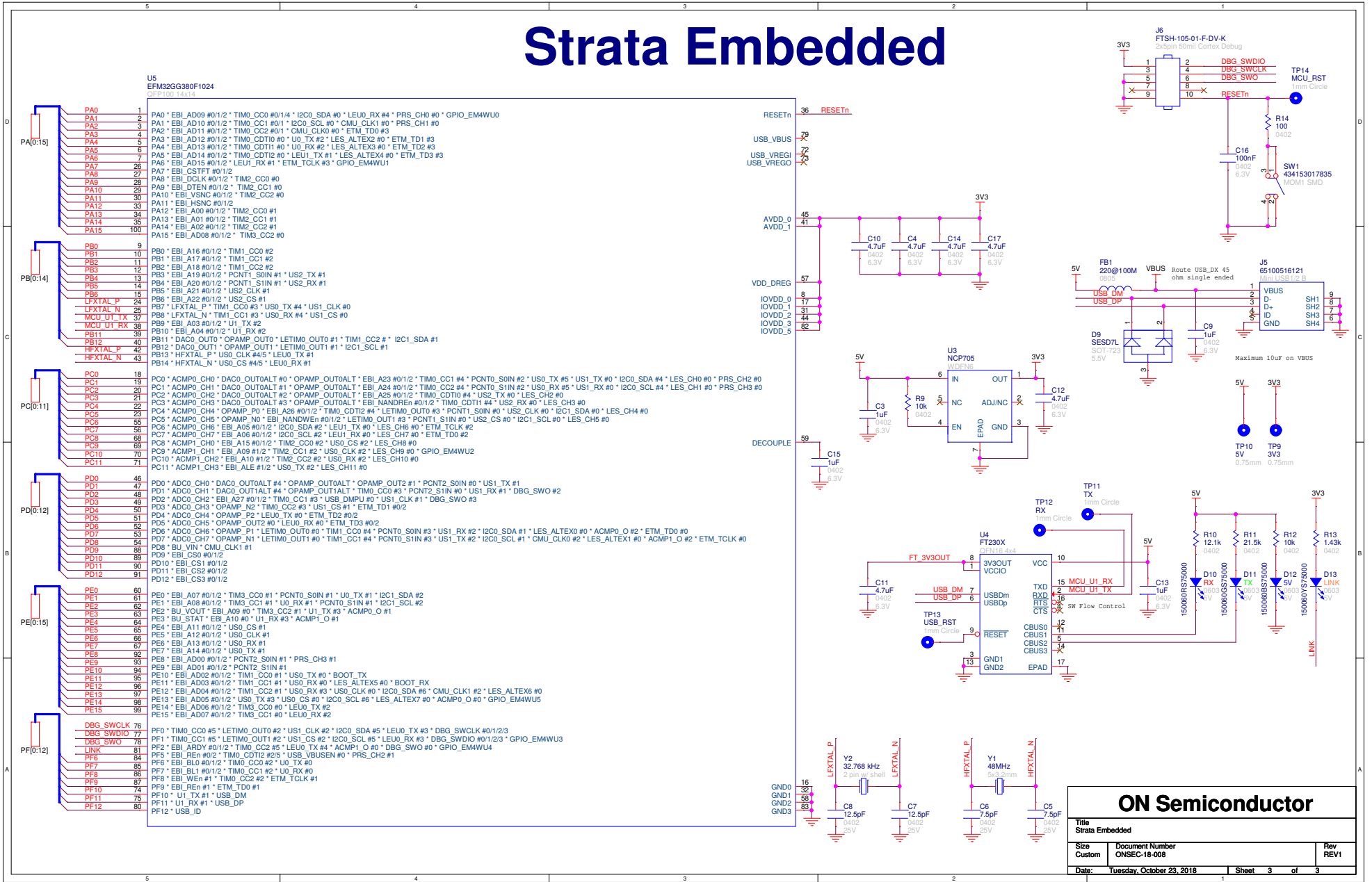
ON Semiconductor		
Title Logic Gates		
Size Custom	Document Number ONSEC-18-018	Rev REV1
Date: Wednesday, October 17, 2018 1 Sheet 1 of 3		

Logic Gates



ON Semiconductor		
Title Logic Gates		
Size Custom	Document Number ONSEC-18-018	Rev REV1
Date:	Thursday, October 16, 2018	Sheet 2 of 3

Strata Embedded



ON Semiconductor		
Title Strata Embedded		
Size	Document Number	Rev
Custom	ONSEC-18-008	REV1
Date:	Tuesday, October 23, 2018	Sheet 3 of 3