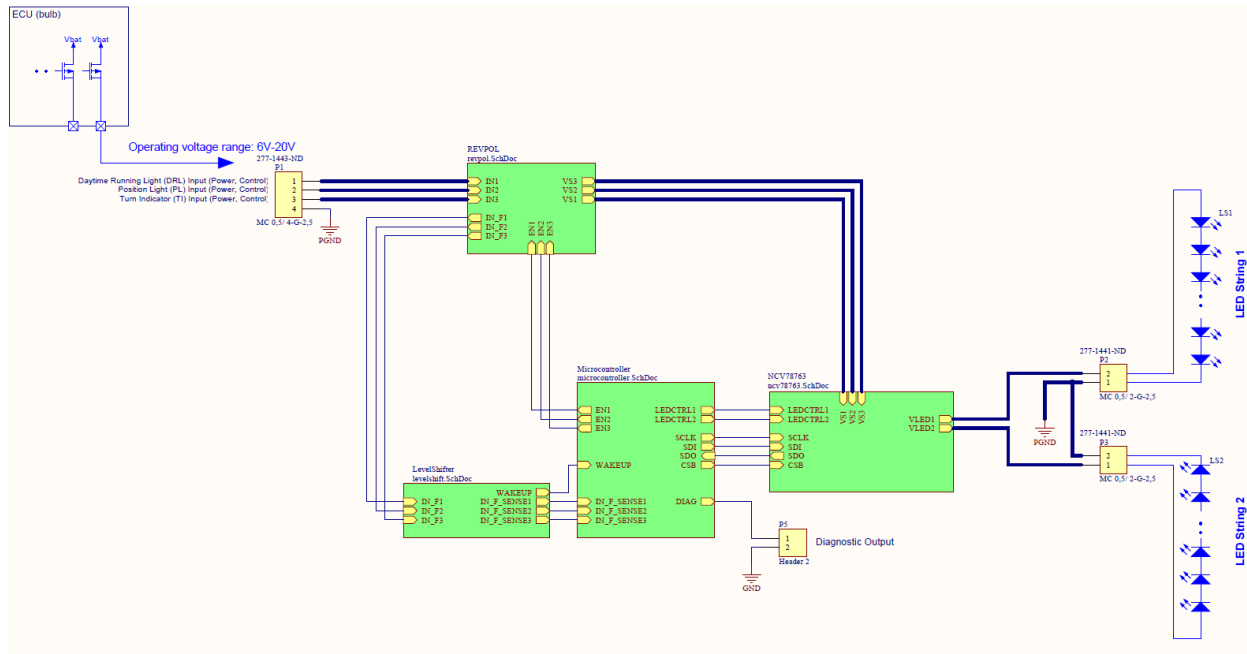


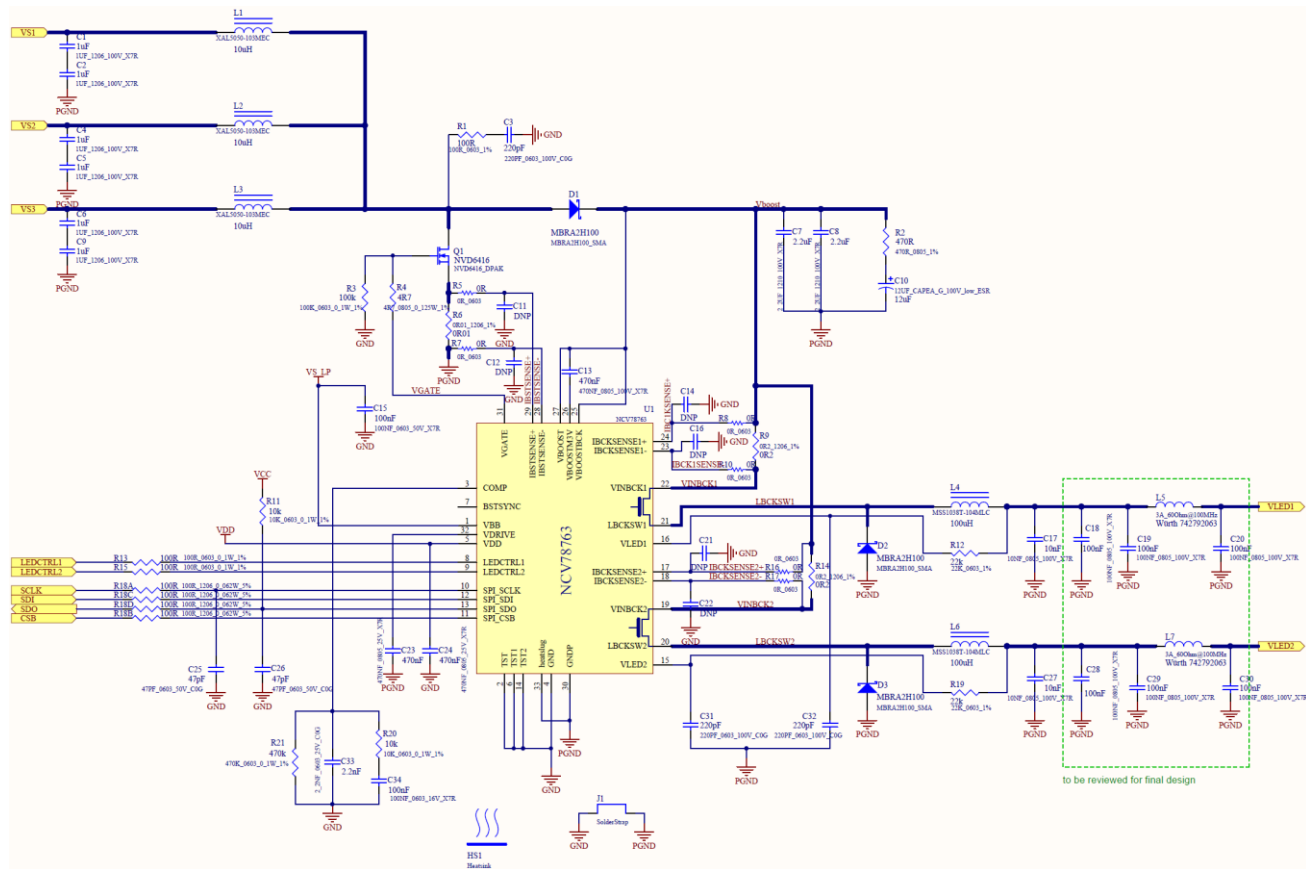


## Schematic for the NV78763RLA11GEVK Evaluation Board

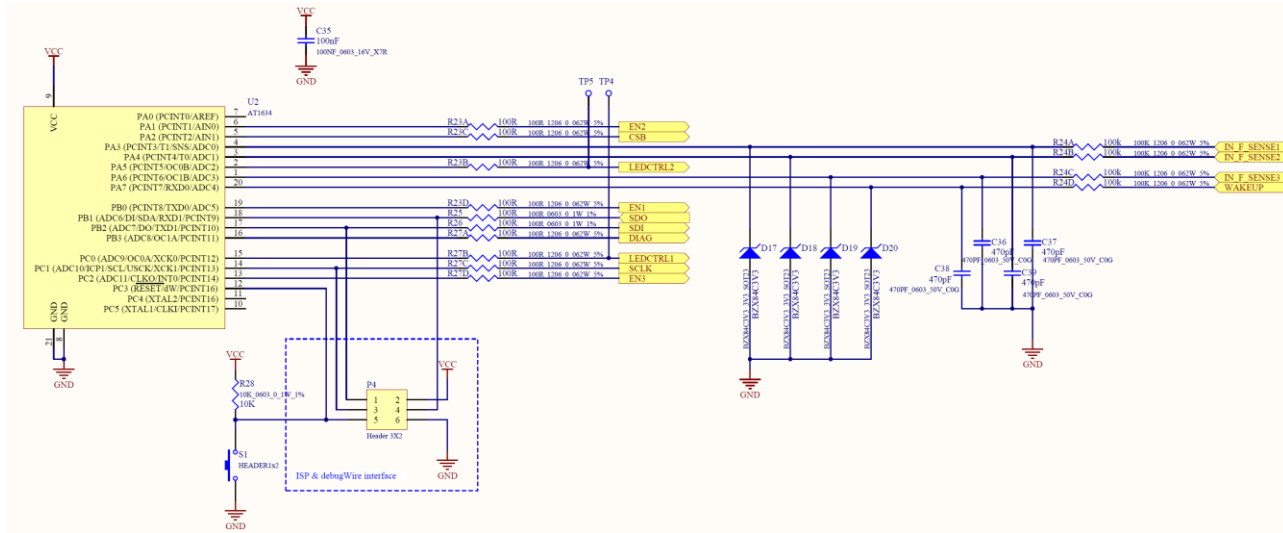
# NCV78763 LDM A - SCHEMATICS (#1)



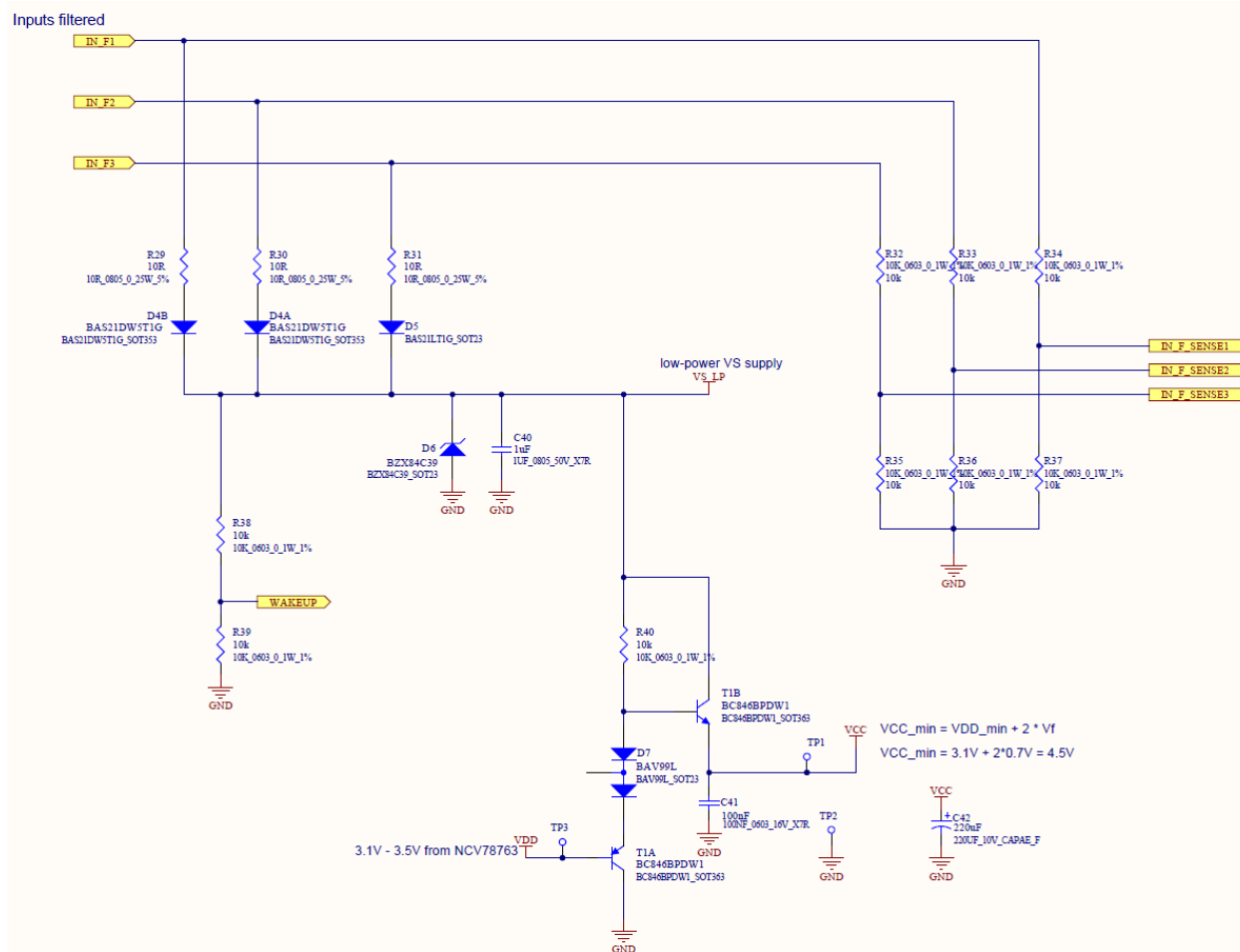
# NCV78763 LDM A - SCHEMATICS (#2)



# NCV78763 LDM A - SCHEMATICS (#3)



# NCV78763 LDM A - SCHEMATICS (#4)



# NCV78763 LDM A - SCHEMATICS (#5)

