

NLHVQ011

1-Bit Gate Pulse Modulator

The NLHVQ011 is a 1-bit gate pulse modulator designed to translate logic voltages for TFT LCD panels for automotive applications. This part translates a low voltage logic input signal to an output voltage of 15 V to 38 V. In addition, the NLHVQ011 provides a user selectable delay and fall time on the high-to-low edge of the output signal. The delay and fall times are controlled by the magnitudes of the external and capacitor resistor, respectively.

Features

- Gate Pulse Modulation (GPM)
- AEC-Q100 Grade 1 Qualified
- Adjustable TFT LCD Flicker Compensation Circuitry
- Reduction of Coupling Effect Between Gate Line and Pixel
- Provides Power Sequencing Circuit for Gate Driver IC
- Wide Power Supply Operation: 15 V to 38 V
- Output Delay and Fall Time are Independently Adjustable
- These Devices are Pb-Free, Halogen Free/BFR Free and are RoHS Compliant

Typical Applications

- TFT LCDs

Important Information

- ESD Protection for All Pins:
Human Body Model (HBM) > 3000 V

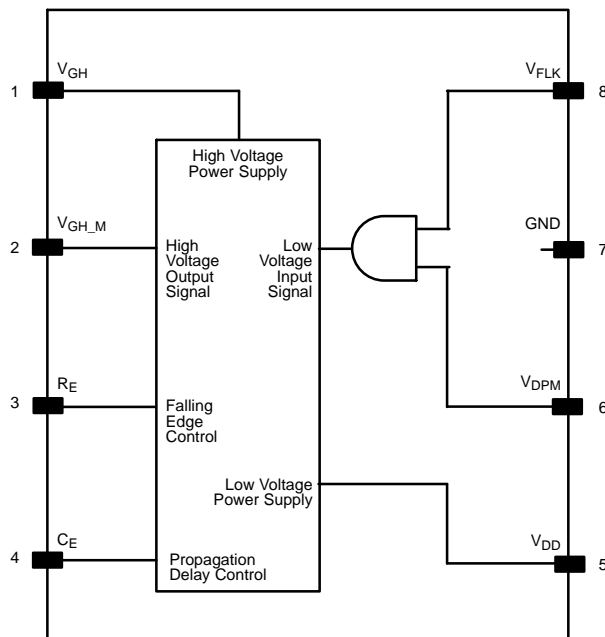


Figure 1. Block Diagram



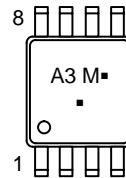
ON Semiconductor®

www.onsemi.com



US8
US SUFFIX
CASE 493

MARKING DIAGRAM



A3 = Device Code
M = Date Code*
▪ = Pb-Free Package

(Note: Microdot may be in either location)

*Date Code orientation may vary depending upon manufacturing location.

ORDERING INFORMATION

See detailed ordering and shipping information on page 10 of this data sheet.

NLHVQ011

PIN DESCRIPTION

Pin	Pin Name	Pin Function	Comment
1	V_{GH}	Power Supply Input	$V_{GH} = 15$ to 38 V
2	V_{GH_M}	Output	This output directly drives the power supply of Gate Driver IC
3	R_E	R_E pin used to set the falling edge time (t_{fall})	The Delay time is programmed by connecting resistor R_E to V_{GH} and capacitor C_E to ground.
4	C_E	C_E pin used to set the propagation delay time (t_{phl})	
5	V_{DD}	Reference to input	The reference input pin is used to reduce flicker. The reference input voltage is as follows: $V_{DD} \leq V_{GH} - 8.5$ V, $V_{DD} = 0$ to 25 V
6	V_{DPM}	Signal input 1	V_{DPM} single input voltage is as follows: $V_{DPM} = 0$ V to V_{GH} . The V_{DPM} pin is used to create a delay with the V_{GH} to prevent system latch-up. V_{DPM} also determines the time V_{GH} is ON.
7	GND	Ground	
8	V_{FLK}	Signal input 2	V_{FLK} single input voltage is as follows: $V_{DPM} = 0$ V to V_{GH} . The V_{FLK} determines the ON/OFF time of the TFT LCD and is produced from LCD timing controller module.

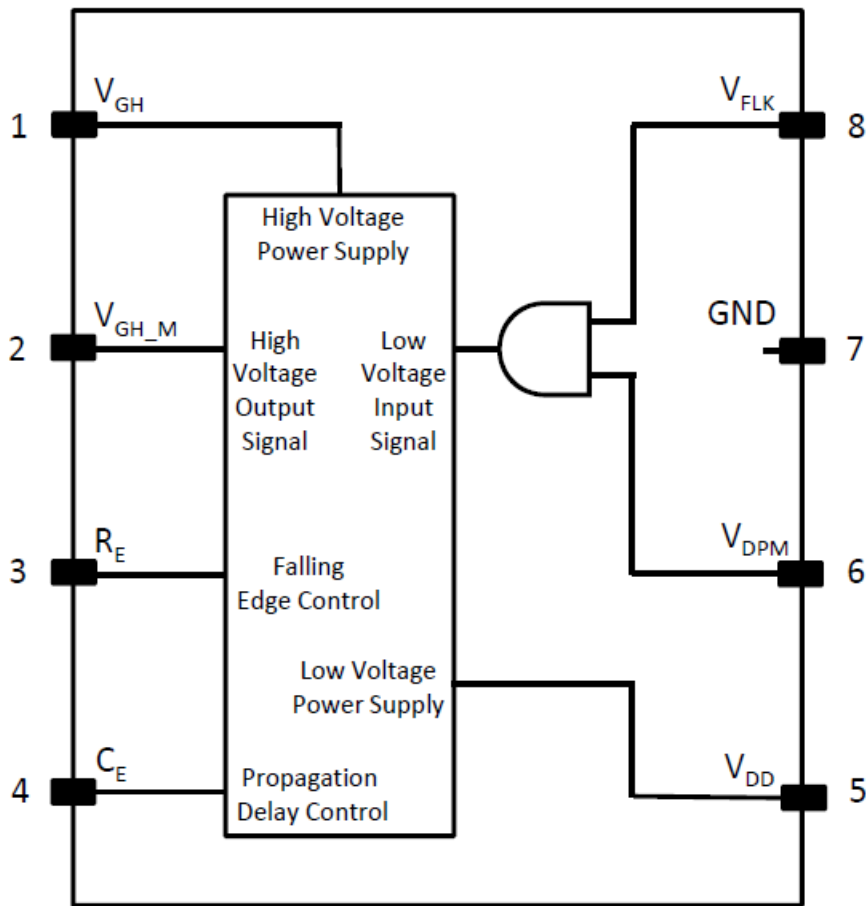


Figure 2. Block Diagram

NLHVQ011

ABSOLUTE MAXIMUM RATINGS

Symbol	Parameter	Condition	Value	Unit
V_{GH}	DC Supply Voltage		-0.5 to +40	V
V_{DD}	DC Supply Voltage		-0.5 to +40	V
V_{FLK}	Input Voltage V_{FLK}		-0.5 to +40	V
V_{DPM}	Input Voltage V_{DPM}		-0.5 to +40	V
I_{IK}	DC Input Diode Current		± 50	mA
I_{OK}	DC Output Diode Current		± 50	mA
I_O	DC Output Current		50	mA
I_{GH}	DC Supply Current Per Supply Pin		50	mA
P_D	Power Dissipation		200	mW
T_J	Junction Temperature		150	°C
T_{STG}	Storage Temperature		-65 to +150	°C

Stresses exceeding those listed in the Maximum Ratings table may damage the device. If any of these limits are exceeded, device functionality should not be assumed, damage may occur and reliability may be affected.

RECOMMENDED OPERATING CONDITIONS

Symbol	Parameter	Test Condition	Min	Typ	Max	Unit
V_{GH}	DC Supply Voltage (Note 1)	$V_{GH} - V_{DD} \geq 8.5 \text{ V}$	15	-	38	V
V_{DD}	DC Supply Voltage	$V_{DD} \leq V_{GH} - 8.5 \text{ V}$	0	-	25	V
V_{FLK}	Input Voltage V_{FLK}	$V_{GH_M} = V_{GH} - 1.2 \text{ V}$	1.5	-	V_{GH}	V
V_{DPM}	Input Voltage V_{DPM}	$V_{GH_M} = V_{DD} + 1.5 \text{ V}$	0	-	V_{GH}	V
T_A	Operating Temperature Range		-40	-	125	V
$\Delta t / \Delta V_{GH}$	Safe V_{GH} Power-Up Slew Rate (Note 2)	$C_E = 5 \text{ pF}$	-	0.2	-	$\mu\text{s} / \text{V}$
		$C_E = 10 \text{ pF}$		0.4		
		$C_E = 50 \text{ pF}$		0.6		
		$C_E = 150 \text{ pF}$		0.7		
		$C_E = 220 \text{ pF}$		0.8		
		$C_E = 500 \text{ pF}$		1.2		
		$C_E = 1000 \text{ pF}$		2.2		

1. Maximum recommended V_{GH} supply voltage guaranteed by design.
2. It is recommended that a ceramic or tantalum decoupling capacitor of 0.1 to 1 μF is used on the V_{GH} power supply voltage. The capacitor should be placed adjacent to the NLHVQ011 and connected between V_{GH} and Ground.

NLHVQ011

ELECTRICAL CHARACTERISTICS ($V_{GH} = 20\text{ V}$, $V_{DD} = 10\text{ V}$, $V_{DPM} = 2.2\text{ V}$, $V_{FLK} = 2.2\text{ V}$, $V_{GH} - V_{DD} \geq 8.5\text{ V}$, $T_a = 25\text{ }^\circ\text{C}$, unless otherwise noted.)

Symbol	Parameter	Test Condition	Min	Typ	Max	Unit
V_{FLK_H}	FLK High Voltage	$V_{GH_M} = V_{GH} - 1.6$	1.5	–	V_{GH}	V
V_{FLK_L}	FLK Low Voltage	$V_{GH_M} = V_{DD} + 1.5$	0	–	0.5	V
V_{DPM_H}	DPM High Voltage	$V_{FLK} = 0\text{ V}$, $V_{GH_M} = V_{DD} - 0.2\text{ V}$	1.5	–	V_{GH}	V
V_{DPM_L}	DPM Low Voltage	$V_{FLK} = 0\text{ V}$, $V_{GH_M} \leq 0.6\text{ V}$	0	–	0.5	V
I_{DPM}	DPM ON Current	$V_{FLK} = 3\text{ V}$, $V_{GH_M} = V_{GH}$	0.2	0.4	2	mA
R_C	R_C (Resistor of V_{DPM} pin)	$V_{GH} = 22\text{ V}$, $R_C \approx (V_{GH} - 0.9) / I_{DPM}$ (Application Circuits 2 and 3)	10	45	100	k Ω
$V_{GH_M, H}$	Output High Voltage	$I_O = 10\text{ mA}$	$V_{GH} - 1.6$	$V_{GH} - 0.7$	–	V
$V_{GH_M, R}$	Output Reset Voltage	$V_{DPM} = 0\text{ V}$, $V_{FLK} = 3\text{ V}$	–	–	0.6	V
		$V_{DPM} = 0\text{ V}$, $V_{FLK} = 0\text{ V}$				
$V_{GH_M, L}$	Output Low Voltage	$V_{DPM} = 3\text{ V}$, $V_{FLK} = 0\text{ V}$, $I_O = -1\text{ mA}$	$V_{DD} - 0.2$	$V_{DD} + 0.3$	$V_{DD} + 0.8$	V
I_{GH}	Power Supply Input Current	$V_{GH} = 35\text{ V}$, $V_{DD} = 15\text{ V}$, $V_{FLK} = V_{DPM} = 3.3\text{ V}$, $I_O = 0$	–	3.5	–	mA
I_{DD}	Reference Input Current	$V_{GH} = 35\text{ V}$, $V_{DD} = 15\text{ V}$, $V_{FLK} = 0\text{ V}$, $V_{DPM} = 3.3\text{ V}$, $I_O = 0$	–	40	–	μA

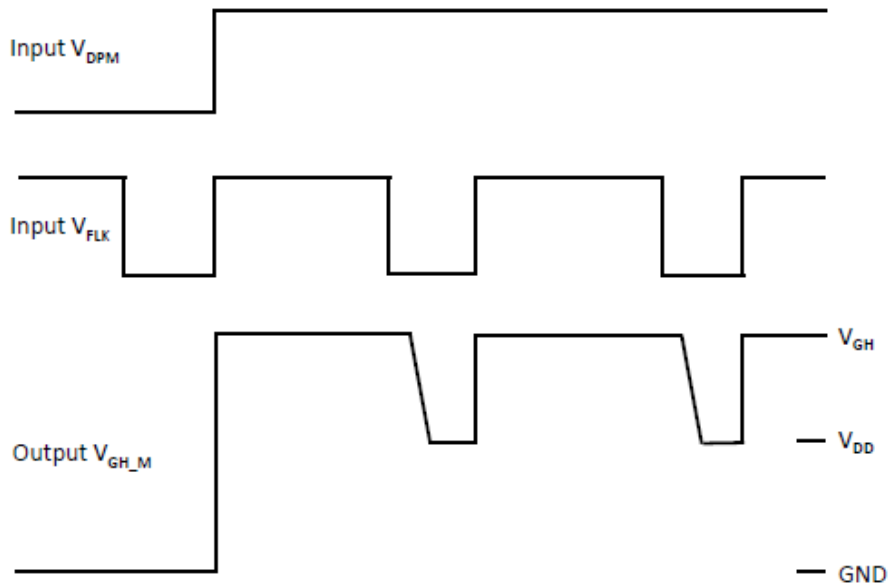


Figure 3. Input and Output Waveforms (Application Circuit #1)

NLHVQ011

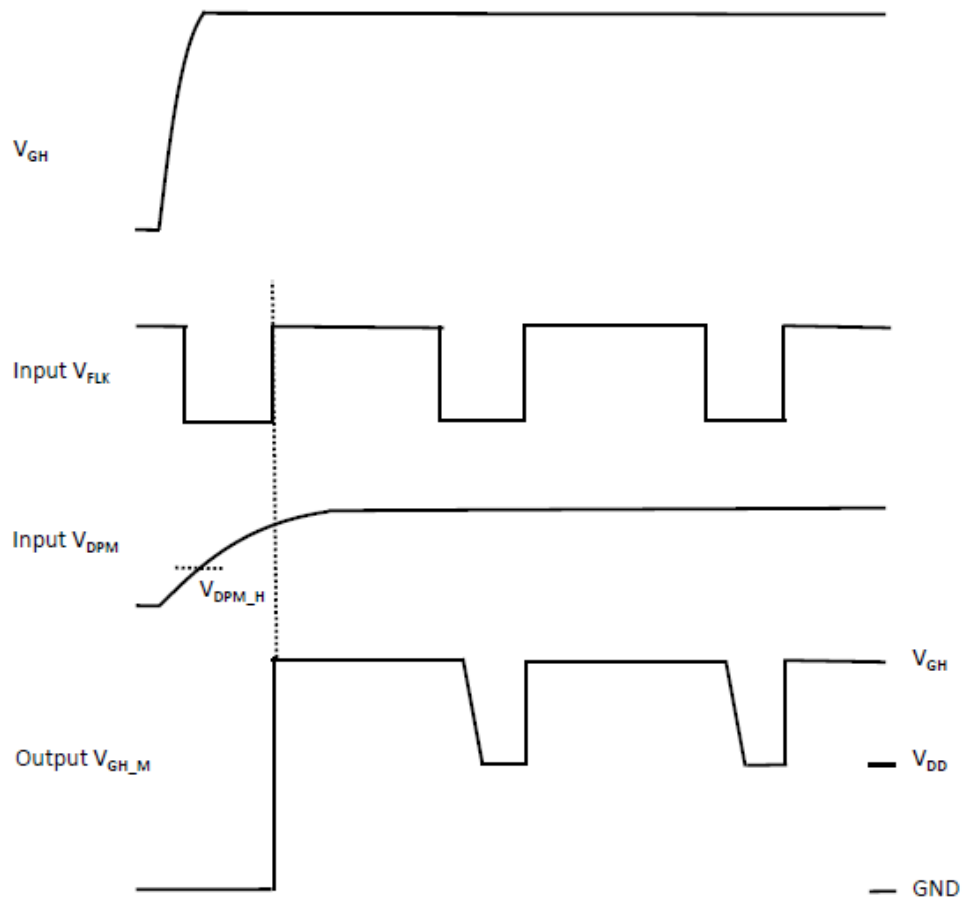


Figure 4. Input and Output Waveforms (Application Circuit #2)

NLHVQ011

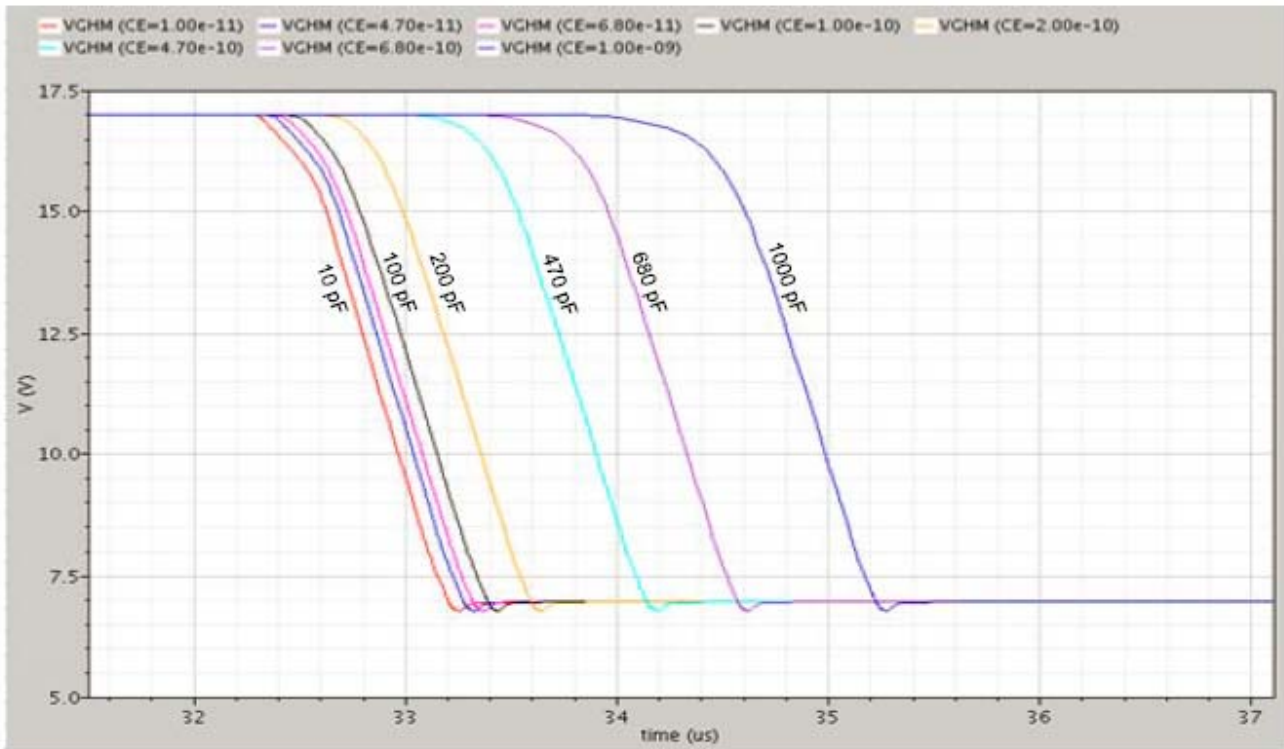


Figure 5. V_{GH_M} Output Propagation Delay (t_{ph}) is controlled by C_E
 (Application Circuit #1, $V_{GH} = 18$ V, $V_{DD} = 7$ V, $R_E = 3.9$ k Ω , $R_L = 15$ k Ω , $C_L = 220$ pF, $T_a = 25$ °C)

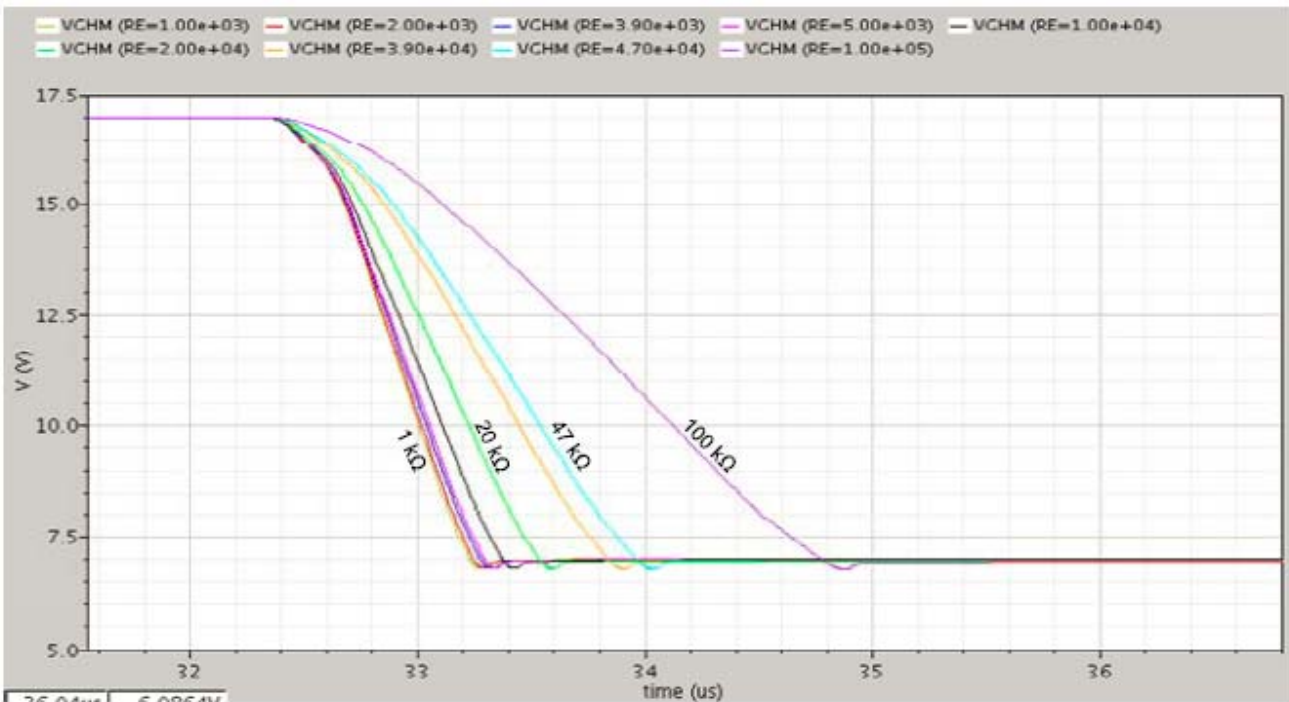


Figure 6. V_{GH_M} Output Transition Falling Edge (t_{fall}) is controlled by R_E
 (Application Circuit #1, $V_{GH} = 18$ V, $V_{DD} = 7$ V, $C_E = 47$ pF, $R_L = 15$ k Ω , $C_L = 220$ pF, $T_a = 25$ °C)

NLHVQ011

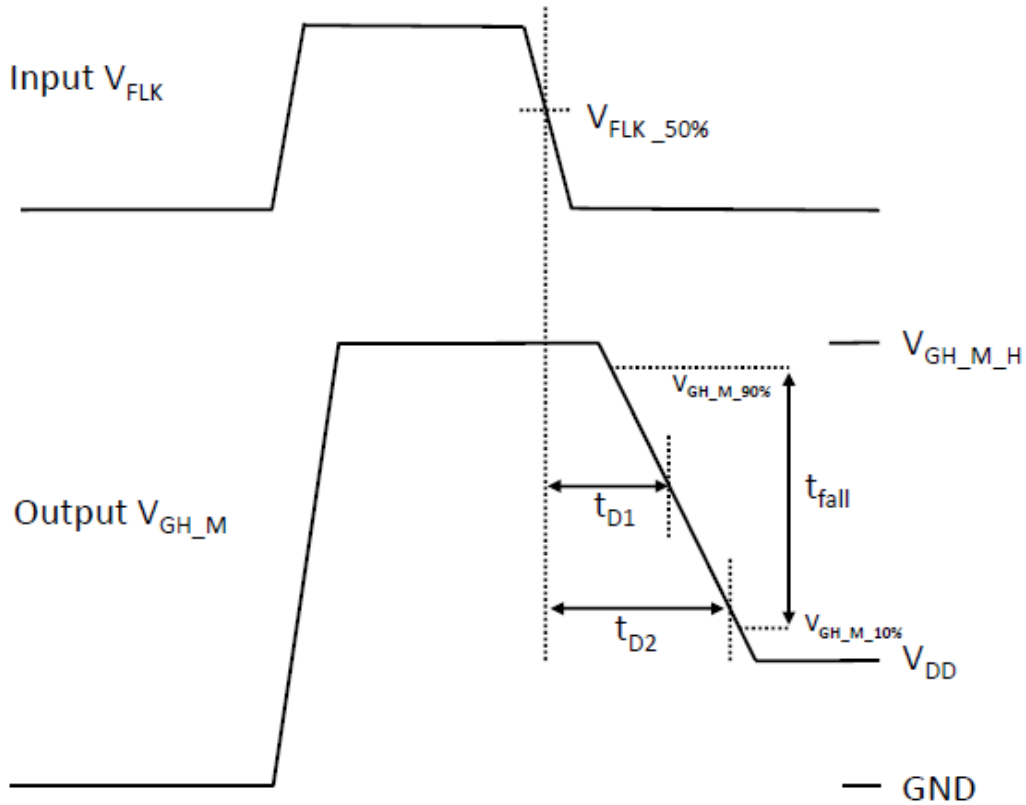


Figure 7.

Definition of Delay Time

t_{D1} = Delay Time 1 ($t_{D_{50-50}}$) = $V_{FLK_{50\%}}$ to $[V_{DD} + ((V_{GH_M_H}) - V_{DD}) \times 0.50]$

t_{D2} = Delay Time 2 ($t_{D_{50-15}}$) = $V_{FLK_{50\%}}$ to $[V_{DD} + ((V_{GH_M_H}) - V_{DD}) \times 0.15]$

t_{fall} = 90-to-10% Fall Time = $[V_{DD} + ((V_{GH_M_H}) - V_{DD}) \times 0.90]$ - $[V_{DD} + ((V_{GH_M_H}) - V_{DD}) \times 0.10]$

DELAY TIME CHARACTERISTICS

(Application Circuit #1, $V_{DPM} = 3$ V, $V_{FLK} = 3$ V, $R_E = 15$ k Ω , $R_L = 15$ k Ω , $C_L = 220$ pF, $T_A = 25^\circ$ C)

Parameter	Test Condition	Typ	Unit
Delay Time 2 ($t_{D_{50-15}}$)	$V_{GH} = 17$ V, $V_{DD} = 6.7$ V, $C_E = 100$ pF	2.4	μ s
	$V_{GH} = 17$ V, $V_{DD} = 6.7$ V, $C_E = 240$ pF	2.8	μ s
	$V_{GH} = 22.4$ V, $V_{DD} = 10$ V, $C_E = 91$ pF	2.3	μ s
	$V_{GH} = 22$ V, $V_{DD} = 10$ V, $C_E = 220$ pF	2.8	μ s
	$V_{GH} = 25.4$ V, $V_{DD} = 15.4$ V, $C_E = 56$ pF	2.4	μ s
	$V_{GH} = 25.4$ V, $V_{DD} = 15.4$ V, $C_E = 130$ pF	2.5	μ s

NLHVQ011

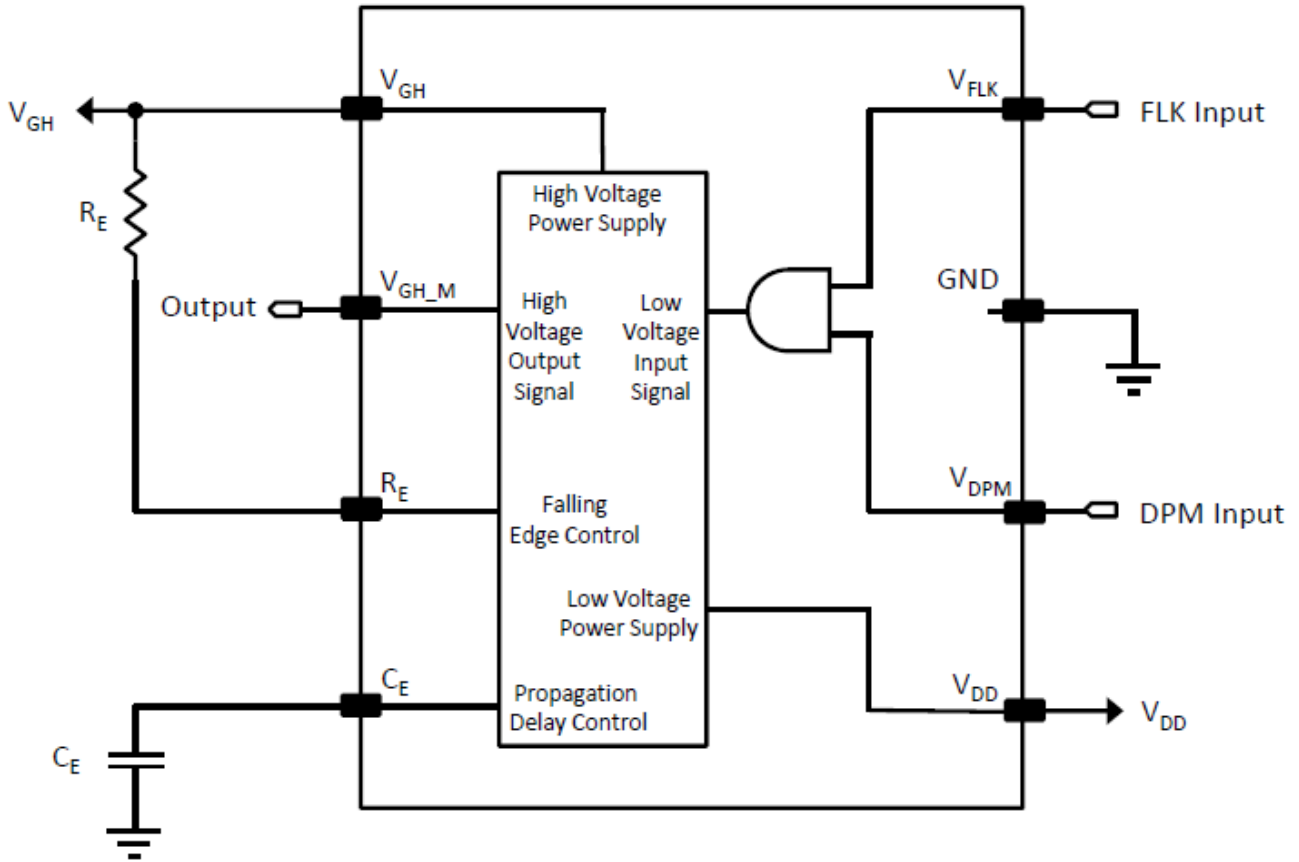


Figure 8. Application #1 Circuit Schematic

Notes:

1. V_{DPM} can rise only after V_{GH} is valid.

NLHVQ011

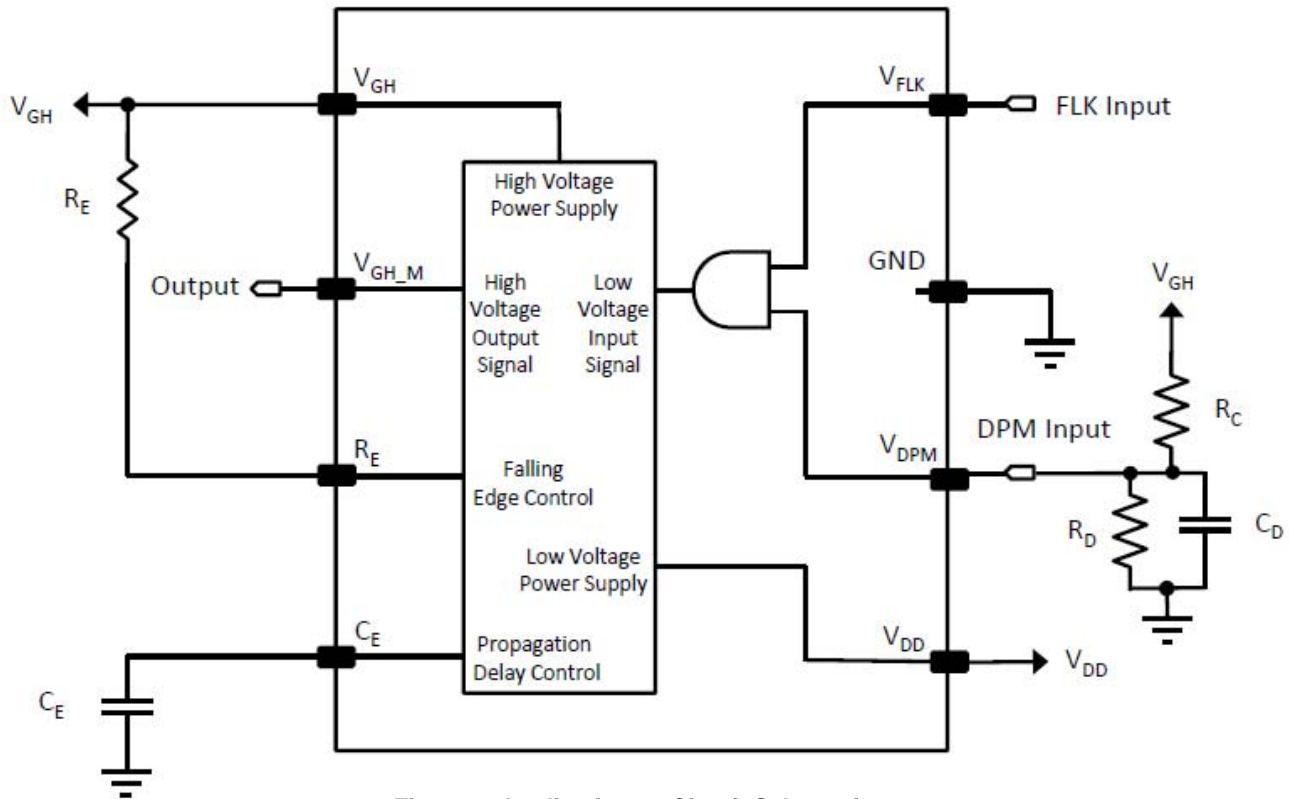


Figure 9. Application #2 Circuit Schematic

Notes:

1. V_{DPM} is produced by a Low Pass Filter (LPF) on V_{GH} pin with R_C and C_D .
2. R_D is a V_{DPM} pull-down resistor.

APPLICATION 2: V_{GH_M} SIGNAL DELAY TIME CHARACTERISTICS

V_{GH} (V)	V_{DD} (V)	C_D (μ F)	R_D (k Ω)	R_C (k Ω)	V_{GH_M} ON Delay Time (when V_{GH} ON) t_{on} (ms)	V_{DPM} Pin Discharge Time (when V_{GH} OFF) t_{off} (ms)
22	12	1	15	50	17.9	3.4
		1	1.5	20	5.5	1.4
		1	0.620	10	1.7	0.74

APPLICATION 2: FUNCTION DESCRIPTION

Name	Comment	Function
R_C	R_C and C_D determines the time when the V_{DPM} pin is charged.	t_{on} = Time when V_{GH_M} is high t_{off} = Time when V_{DPM} pin is fully discharged
C_D		
R_D	R_D determines the time when the V_{DPM} pin is discharged.	

NLHVQ011

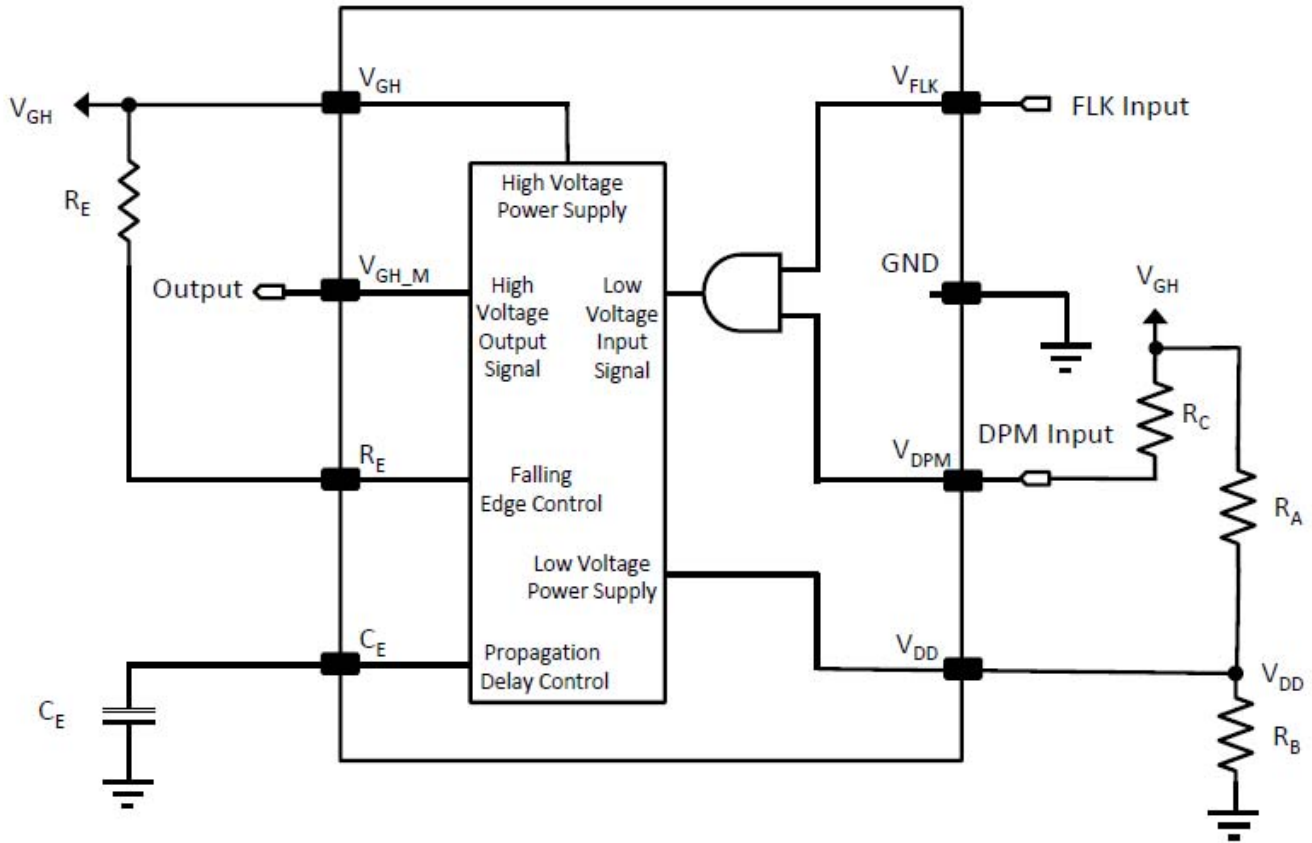


Figure 10. Application #3 Circuit Schematic

APPLICATION 3: FUNCTION DESCRIPTION

Name	Comment	Function
R _A	R _A and R _B set the V _{DD} voltage.	$V_{DD} = V_{GH} \times (R_B / (R_A + R_B))$
R _B		
R _C	R _C determines the voltage that V _{DPM} pin becomes high.	

Notes:

1. V_{DPM} produced by external R_C and internal R and C.
2. V_{DD} created from external resistors R_A and R_B.
3. V_{GH} should be higher than 18 V to meet V_{DPM_H}.
4. R_A = 15 kΩ, R_B = 10 kΩ, R_C = 45 kΩ, R_E = 15 kΩ, R_L = 15 kΩ, C_E = 220 pF, C_L = 100 pF

DEVICE ORDERING INFORMATION

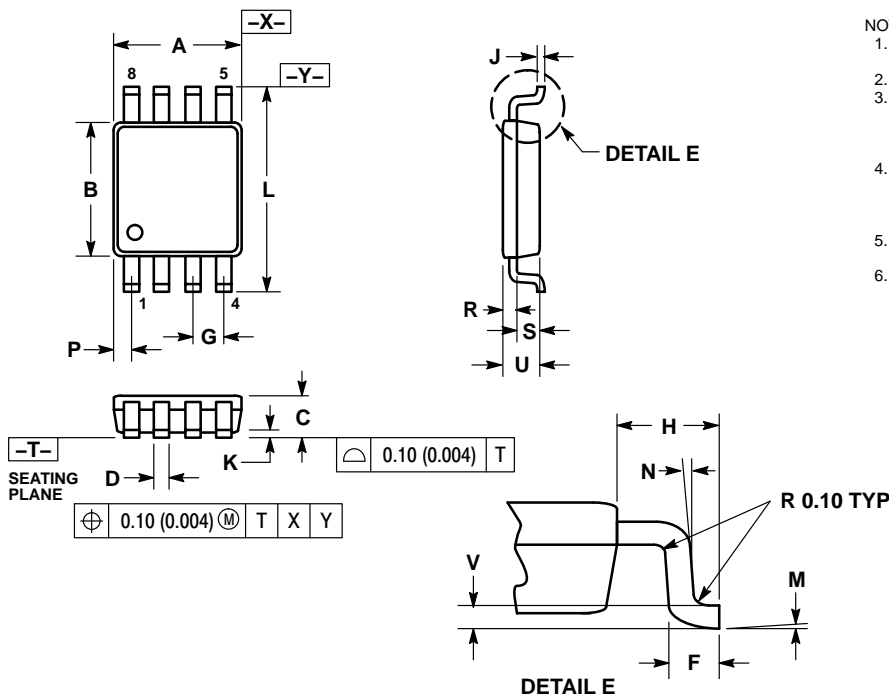
Device Order Number	Package Type	Shipping [†]
NLHVQ011USG	US8 (Pb-Free)	3000 / Tape & Reel

[†]For information on tape and reel specifications, including part orientation and tape sizes, please refer to our Tape and Reel Packaging Specifications Brochure, BRD8011/D.

NLHVQ011

PACKAGE DIMENSIONS

US8
CASE 493-02
ISSUE B

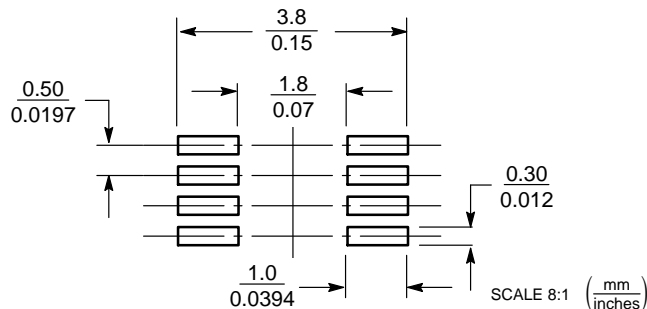


NOTES:

1. DIMENSIONING AND TOLERANCING PER ANSI Y14.5M, 1982.
2. CONTROLLING DIMENSION: MILLIMETERS.
3. DIMENSION "A" DOES NOT INCLUDE MOLD FLASH, PROTRUSION OR GATE BURR. MOLD FLASH, PROTRUSION AND GATE BURR SHALL NOT EXCEED 0.140 MM (0.0055") PER SIDE.
4. DIMENSION "B" DOES NOT INCLUDE INTER-LEAD FLASH OR PROTRUSION. INTER-LEAD FLASH AND PROTRUSION SHALL NOT EXCEED 0.140 (0.0055") PER SIDE.
5. LEAD FINISH IS SOLDER PLATING WITH THICKNESS OF 0.0076-0.0203 MM. (300-800 °).
6. ALL TOLERANCE UNLESS OTHERWISE SPECIFIED ±0.0508 (0.0002 °).

DIM	MILLIMETERS		INCHES	
	MIN	MAX	MIN	MAX
A	1.90	2.10	0.075	0.083
B	2.20	2.40	0.087	0.094
C	0.60	0.90	0.024	0.035
D	0.17	0.25	0.007	0.010
F	0.20	0.35	0.008	0.014
G	0.50 BSC		0.020 BSC	
H	0.40 REF		0.016 REF	
J	0.10	0.18	0.004	0.007
K	0.00	0.10	0.000	0.004
L	3.00	3.20	0.118	0.126
M	0°	6°	0°	6°
N	5°	10°	5°	10°
P	0.23	0.34	0.010	0.013
R	0.23	0.33	0.009	0.013
S	0.37	0.47	0.015	0.019
U	0.60	0.80	0.024	0.031
V	0.12 BSC		0.005 BSC	

SOLDERING FOOTPRINT*



*For additional information on our Pb-Free strategy and soldering details, please download the ON Semiconductor Soldering and Mounting Techniques Reference Manual, SOLDERRM/D.

ON Semiconductor and the are registered trademarks of Semiconductor Components Industries, LLC (SCILLC) or its subsidiaries in the United States and/or other countries. SCILLC owns the rights to a number of patents, trademarks, copyrights, trade secrets, and other intellectual property. A listing of SCILLC's product/patent coverage may be accessed at www.onsemi.com/site/pdf/Patent-Marketing.pdf. SCILLC reserves the right to make changes without further notice to any products herein. SCILLC makes no warranty, representation or guarantee regarding the suitability of its products for any particular purpose, nor does SCILLC assume any liability arising out of the application or use of any product or circuit, and specifically disclaims any and all liability, including without limitation special, consequential or incidental damages. "Typical" parameters which may be provided in SCILLC data sheets and/or specifications can and do vary in different applications and actual performance may vary over time. All operating parameters, including "Typicals" must be validated for each customer application by customer's technical experts. SCILLC does not convey any license under its patent rights nor the rights of others. SCILLC products are not designed, intended, or authorized for use as components in systems intended for surgical implant into the body, or other applications intended to support or sustain life, or for any other application in which the failure of the SCILLC product could create a situation where personal injury or death may occur. Should Buyer purchase or use SCILLC products for any such unintended or unauthorized application, Buyer shall indemnify and hold SCILLC and its officers, employees, subsidiaries, affiliates, and distributors harmless against all claims, costs, damages, and expenses, and reasonable attorney fees arising out of, directly or indirectly, any claim of personal injury or death associated with such unintended or unauthorized use, even if such claim alleges that SCILLC was negligent regarding the design or manufacture of the part. SCILLC is an Equal Opportunity/Affirmative Action Employer. This literature is subject to all applicable copyright laws and is not for resale in any manner.

PUBLICATION ORDERING INFORMATION

LITERATURE FULFILLMENT:

Literature Distribution Center for ON Semiconductor
19521 E. 32nd Pkwy, Aurora, Colorado 80011 USA
Phone: 303-675-2175 or 800-344-3860 Toll Free USA/Canada
Fax: 303-675-2176 or 800-344-3867 Toll Free USA/Canada
Email: orderlit@onsemi.com

N. American Technical Support: 800-282-9855 Toll Free
USA/Canada
Europe, Middle East and Africa Technical Support:
Phone: 421 33 790 2910
Japan Customer Focus Center
Phone: 81-3-5817-1050

ON Semiconductor Website: www.onsemi.com

Order Literature: <http://www.onsemi.com/orderlit>

For additional information, please contact your local Sales Representative