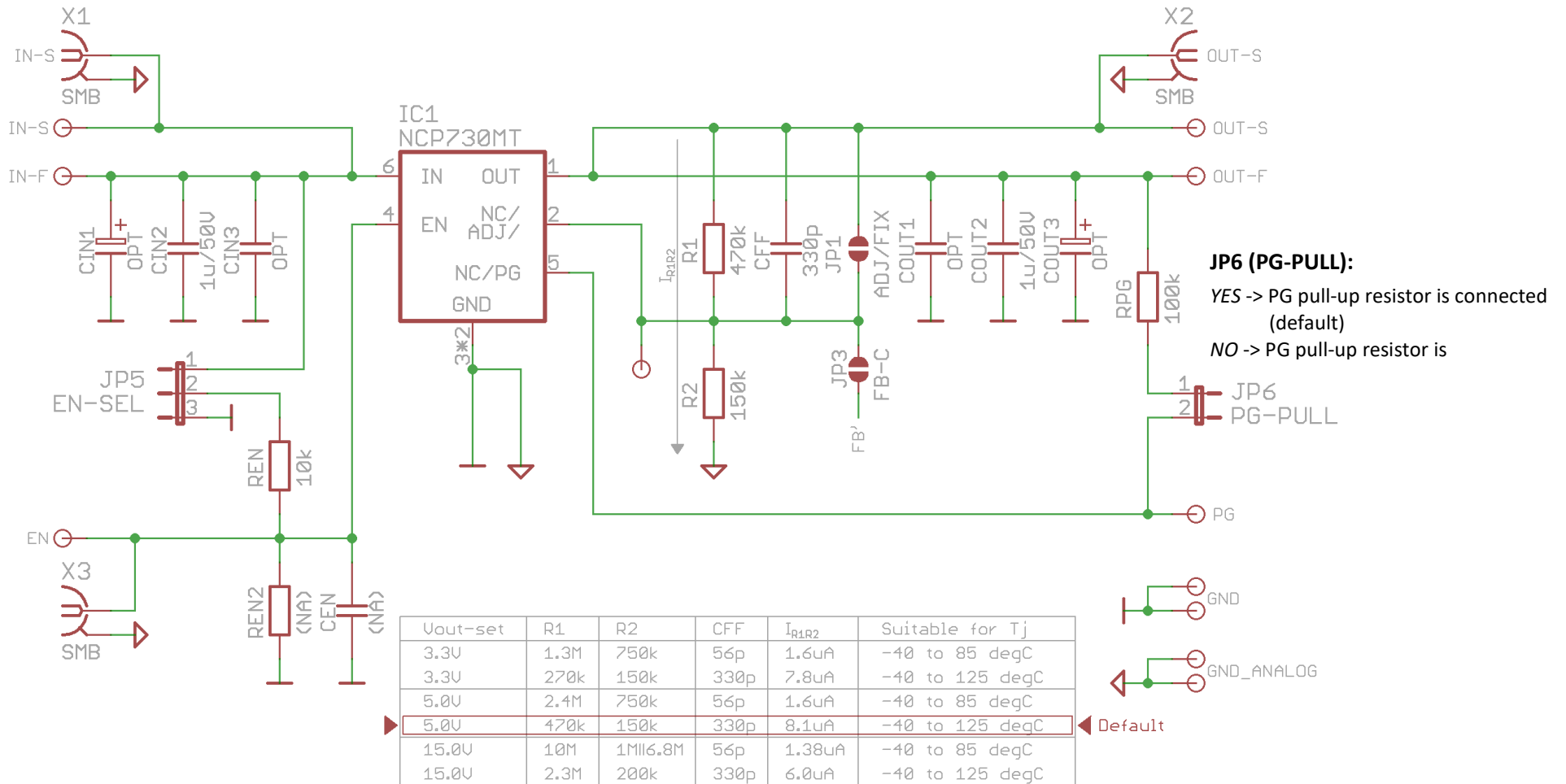




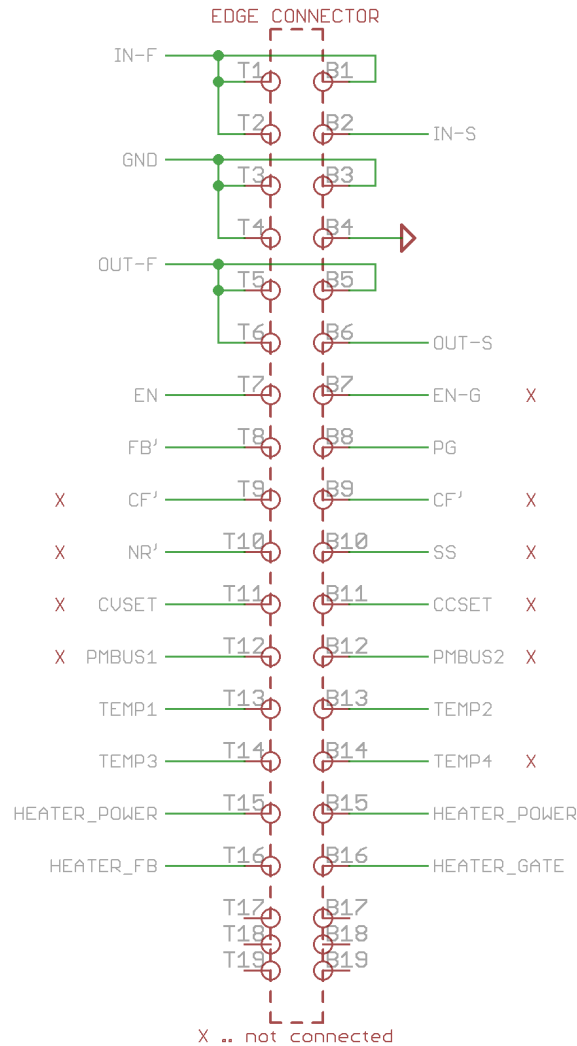
NCV8730BMTWADJTBGEVB (DFN-6) Evaluation Board – Schematic

Main part





NCV8730BMTWADJTBGEVB (DFN-6) Evaluation Board – Schematic PCB edge connector (optional test I/F)



Appropriate receptacle type is SAMTEC MECF-20-01-L-DV-WT