

# Test Procedure for the NCP508, 50mA, LDO

ON Semiconductor®



## Test Setup:

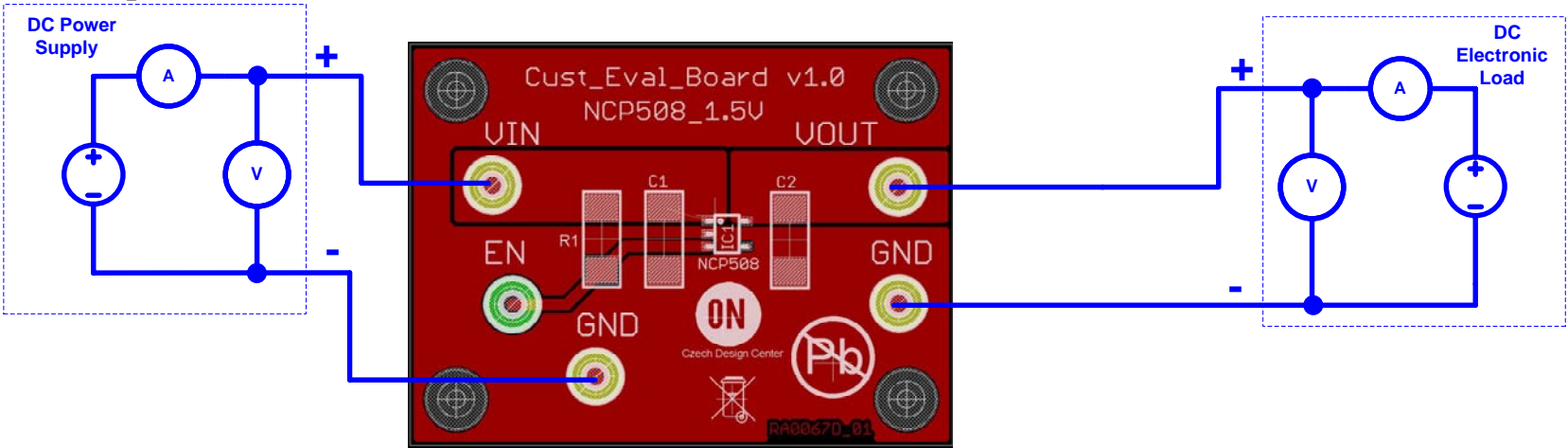


Figure 1

## Required Equipment:

- 2 x Voltmeters
- 2 x Ampere meters
- DC Power Supply – 3.3V, 0.1A
- Electronic Load – 50mA

## Test Procedure for the NCP508, 50mA, LDO

ON Semiconductor®



### Test Procedure:

1. Connect the test setup as shown on Figure 1,
2. Set the Electronic Load to for required load current,
3. Apply the Input Voltage to satisfy the minimum Dropout requirement,
4. Verify that the Voltage Regulator turns on and that the output voltage is equal to the required nominal value,
5. Turn off the input power supply
6. End of the test