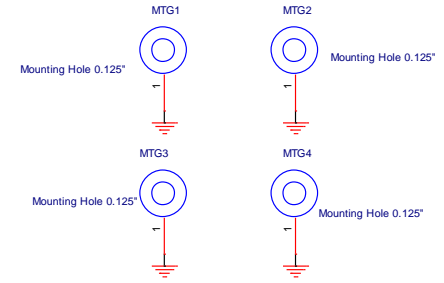
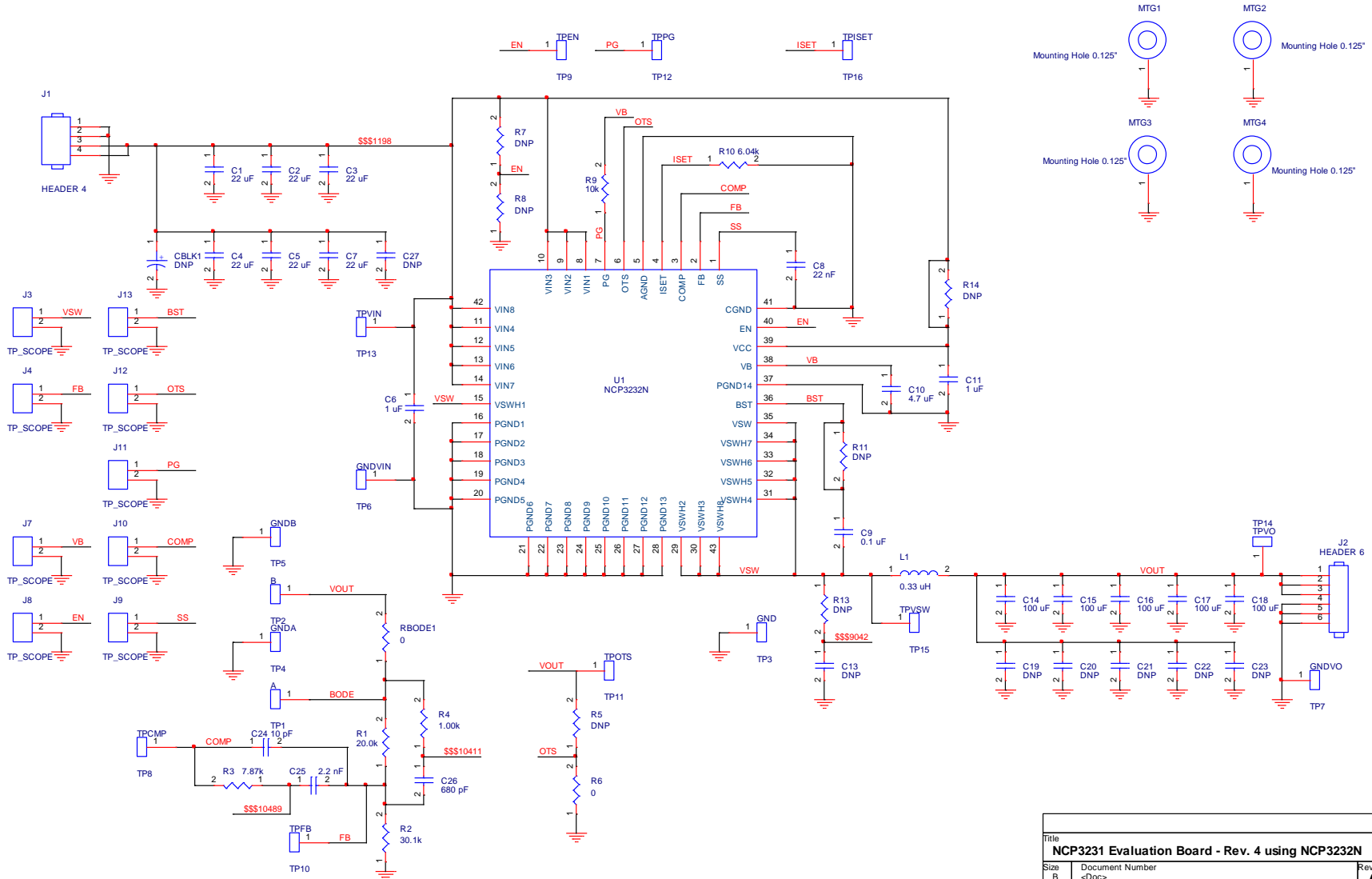




Schematic for the NCP3232NGEVB Evaluation Board



Title		
NCP3231 Evaluation Board - Rev. 4 using NCP3232N		
Size	Document Number	Rev
B	<Doc>	A
Date:	Monday, April 24, 2017	Sheet 1 of 1