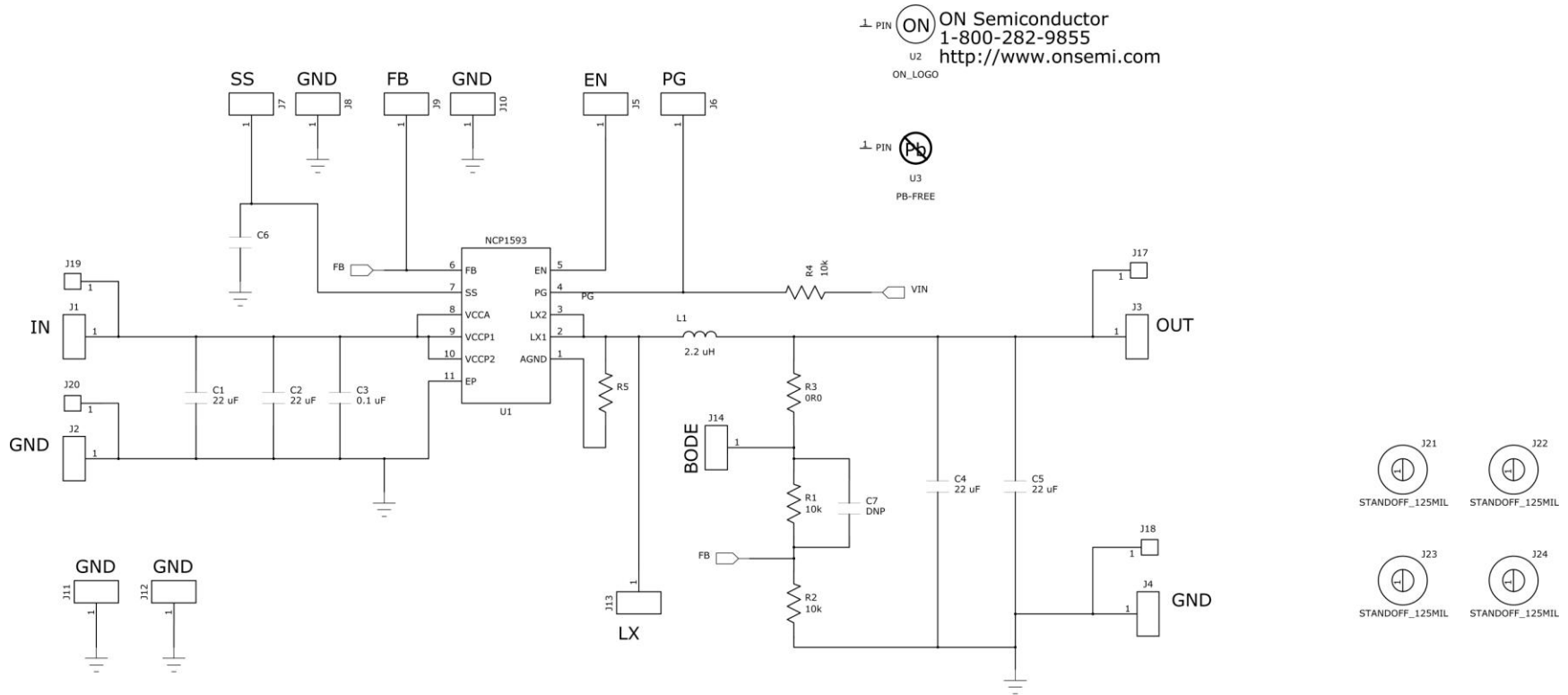




Schematic for the NCP1593BGEVB Evaluation Board



| Version | RefDes | Open/Short |
|----------|--------|------------|
| NCP1593A | R5 | Open |
| NCP1593B | R5 | Short |