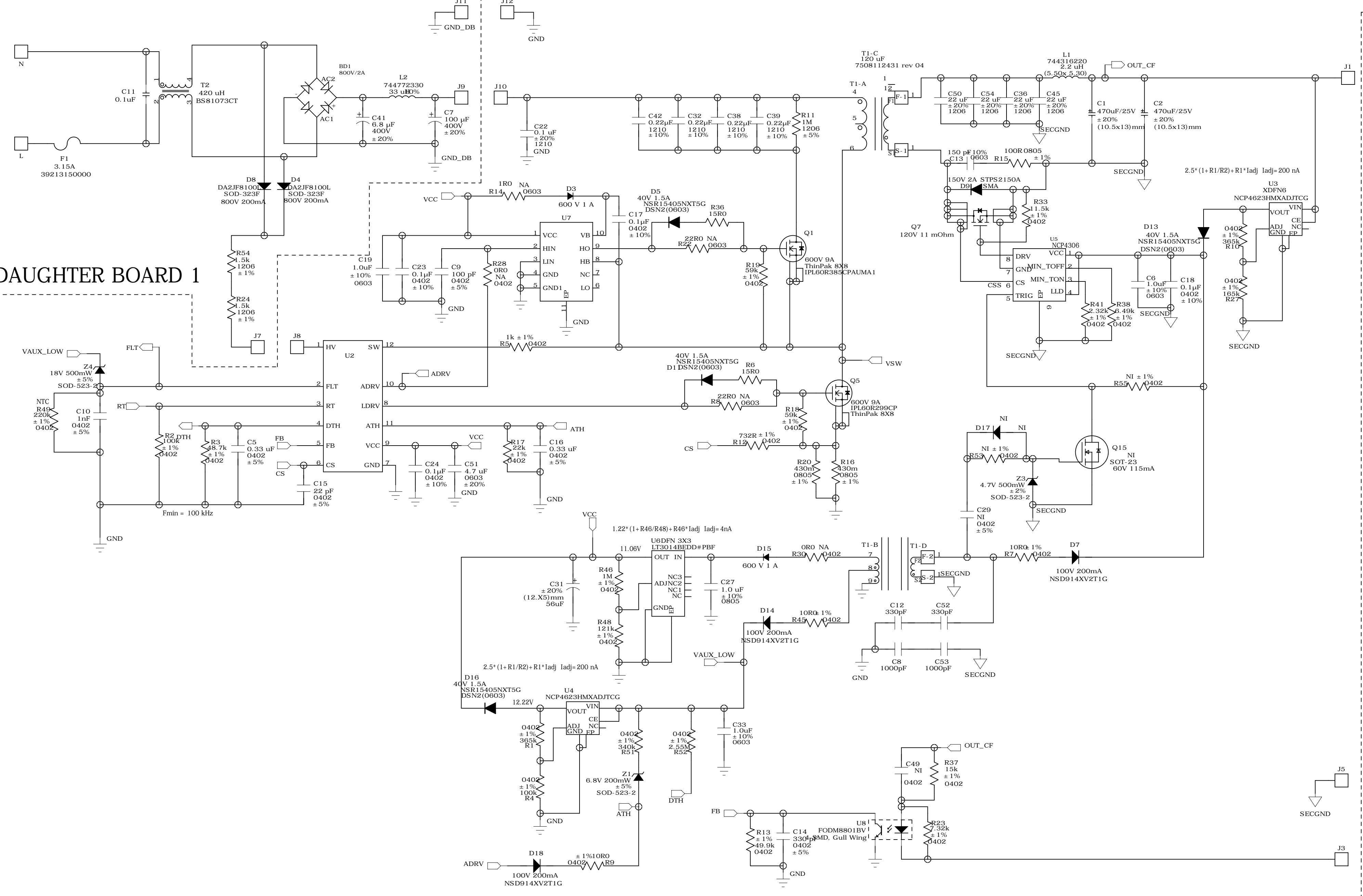


DAUGHTER BOARD 1



DAUGHTER BOARD 2

