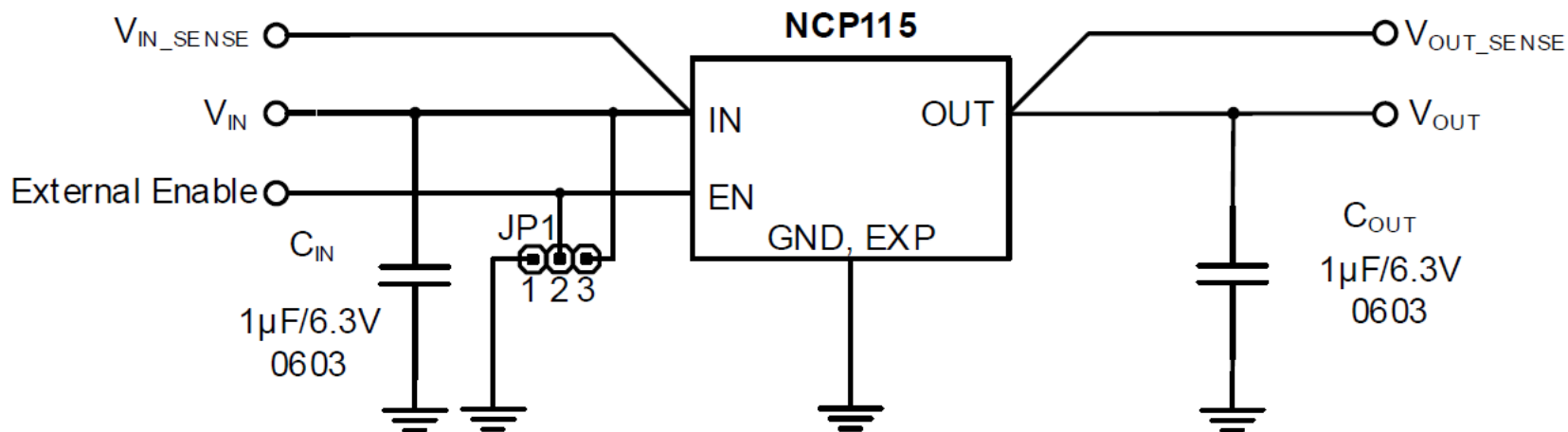




Schematic for the NCP115CMX120TCG Evaluation Board



JP1 positions:

- 2-- -->EXTERNAL ENABLE pin is select
- 2- 3 ->LDO is **ENABLED**
- 2- 1-> LDO is **DISABLED**