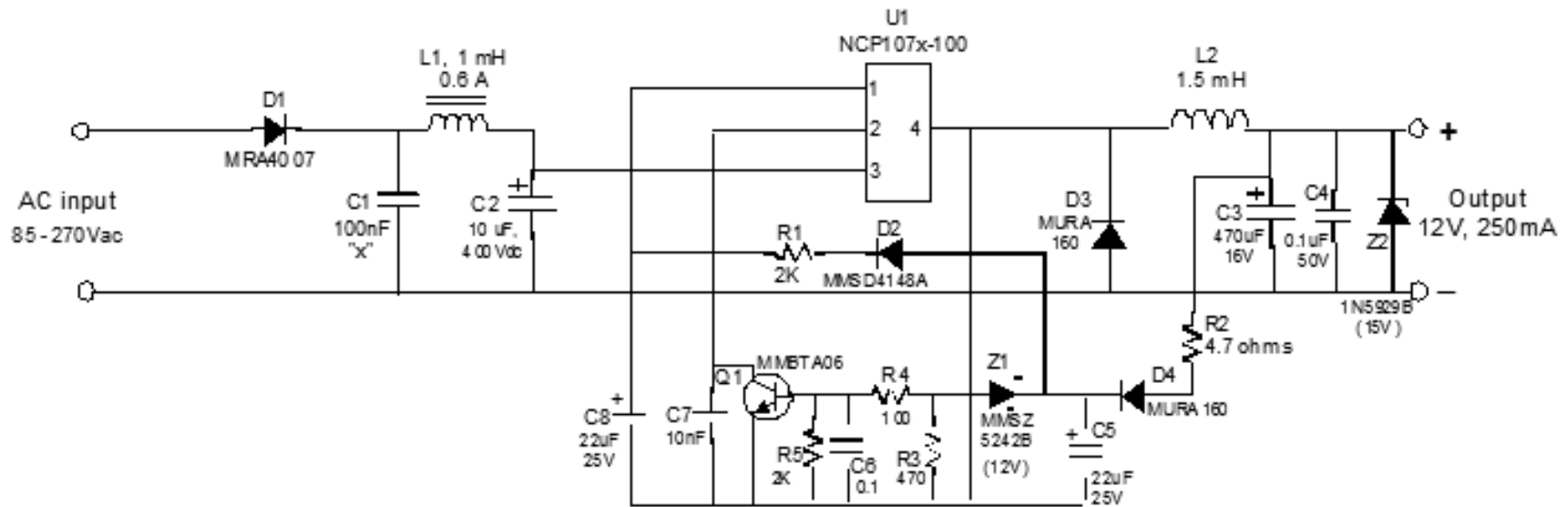




Schematic for the NCP1071SOTGEVB Evaluation Board



Notes:

1. Vout set by Z1 ($V_{out} = V_z + 0.5V$ approx - adjust with R5).
2. L1 is Wurth 744732102.
3. Z2 is optional output OVP zener (15V).
4. R1 sets Vcc max current to avoid OVP trip.
5. L2 is Wurth 7687709152 (1.5 mH, 500 mA)
6. C crossed schematic lines are not connected.

Off-Line Buck Converter Using NCP1070
With Charge Pump Voltage Sensing (R4)