

MC14549B, MC14559B

Successive Approximation Registers

The MC14549B and MC14559B successive approximation registers are 8-bit registers providing all the digital control and storage necessary for successive approximation analog-to-digital conversion systems. These parts differ in only one control input. The Master Reset (MR) on the MC14549B is required in the cascaded mode when more than 8 bits are desired. The Feed Forward (FF) of the MC14559B is used for register shortening where End-of-Conversion (EOC) is required after less than eight cycles.

Applications for the MC14549B and MC14559B include analog-to-digital conversion, with serial and parallel outputs.

Features

- Totally Synchronous Operation
- All Outputs Buffered
- Single Supply Operation
- Serial Output
- Retriggerable
- Compatible with a Variety of Digital and Analog Systems such as the MC1408 8-Bit D/A Converter
- All Control Inputs Positive-Edge Triggered
- Supply Voltage Range = 3.0 Vdc to 18 Vdc
- Capable of Driving 2 Low-Power TTL Loads, 1 Low-Power Schottky TTL Load or 2 HTL Loads Over the Rated Temperature Range
- Chip Complexity: 488 FETs or 122 Equivalent Gates
- This Device is Pb-Free and is RoHS Compliant

MAXIMUM RATINGS (Voltages Referenced to V_{SS})

| Parameter | Symbol | Value | Unit |
|--|-----------|------------------------|-------------|
| DC Supply Voltage Range | V_{DD} | -0.5 to +18.0 | V |
| Input Voltage Range, All Inputs | V_{in} | -0.5 to $V_{DD} + 0.5$ | V |
| DC Input Current per Pin | I_{in} | ± 10 | mA |
| Power Dissipation per Package (Note 1) | P_D | 500 | mW |
| Operating Temperature Range | T_A | -55 to +125 | $^{\circ}C$ |
| Storage Temperature Range | T_{stg} | -65 to +150 | $^{\circ}C$ |

Stresses exceeding those listed in the Maximum Ratings table may damage the device. If any of these limits are exceeded, device functionality should not be assumed, damage may occur and reliability may be affected.

1. Temperature Derating: "D/DW" Package: -7.0 mW/ $^{\circ}C$ From 65 $^{\circ}C$ To 125 $^{\circ}C$

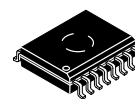
This device contains protection circuitry to guard against damage due to high static voltages or electric fields. However, precautions must be taken to avoid applications of any voltage higher than maximum rated voltages to this high-impedance circuit. For proper operation, V_{in} and V_{out} should be constrained to the range $V_{SS} \leq (V_{in} \text{ or } V_{out}) \leq V_{DD}$.

Unused inputs must always be tied to an appropriate logic voltage level (e.g., either V_{SS} or V_{DD}).



ON Semiconductor®

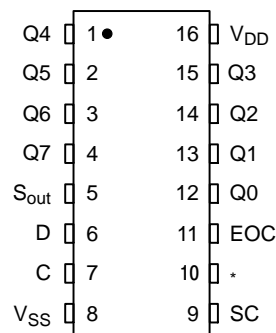
<http://onsemi.com>



1

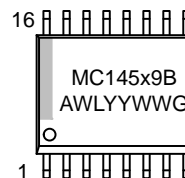
SOIC-16 WB
DW SUFFIX
CASE 751G

PIN ASSIGNMENT



*For MC14549B Pin 10 is MR input.
For MC14559B Pin 10 is FF input.

MARKING DIAGRAM



- x = 4 or 5
- A = Assembly Location
- WL = Wafer Lot
- YY = Year
- WW = Work Week
- G = Pb-Free Package

ORDERING INFORMATION

See detailed ordering and shipping information in the package dimensions section on page 3 of this data sheet.

MC14549B, MC14559B

TRUTH TABLES

MC14549B

| SC | SC(t-1) | MR | MR(t-1) | Clock | Action |
|----|---------|----|---------|-------|-----------------------------|
| X | X | X | X | | None |
| X | X | 1 | X | | Reset |
| 1 | 0 | 0 | 0 | | Start Conversion |
| 1 | X | 0 | 1 | | Start Conversion |
| 1 | 1 | 0 | 0 | | Continue Conversion |
| 0 | X | 0 | X | | Continue Previous Operation |

X = Don't Care t-1 = State at Previous Clock

MC14559B

| SC | SC(t-1) | EOC | Clock | Action |
|----|---------|-----|-------|--------------------------|
| X | X | X | | None |
| 1 | 0 | 0 | | Start Conversion |
| X | 1 | 0 | | Continue Conversion |
| 0 | 0 | 0 | | Continue Conversion |
| 0 | X | 1 | | Retain Conversion Result |
| 1 | X | 1 | | Start Conversion |

ELECTRICAL CHARACTERISTICS (Voltages Referenced to V_{SS})

| Characteristic | Symbol | V _{DD} Vdc | - 55°C | | 25°C | | | 125°C | | Unit | |
|---|------------------------------|------------------------|---|------|-------|-----------------|------|-------|------|----------|----------|
| | | | Min | Max | Min | Typ (Note 2) | Max | Min | Max | | |
| Output Voltage V _{in} = V _{DD} or 0 | "0" Level V _{OL} | 5.0 | - | 0.05 | - | 0 | 0.05 | - | 0.05 | Vdc | |
| | | 10 | - | 0.05 | - | 0 | 0.05 | - | 0.05 | | |
| | | 15 | - | 0.05 | - | 0 | 0.05 | - | 0.05 | | |
| V _{in} = 0 or V _{DD} | "1" Level V _{OH} | 5.0 | 4.95 | - | 4.95 | 5.0 | - | 4.95 | - | Vdc | |
| | | 10 | 9.95 | - | 9.95 | 10 | - | 9.95 | - | | |
| | | 15 | 14.95 | - | 14.95 | 15 | - | 14.95 | - | | |
| Input Voltage (Note 2) (V _O = 4.5 or 0.5 Vdc) (V _O = 9.0 or 1.0 Vdc) (V _O = 13.5 or 1.5 Vdc) | "0" Level V _{IL} | 5.0 | - | 1.5 | - | 2.25 | 1.5 | - | 1.5 | Vdc | |
| | | 10 | - | 3.0 | - | 4.50 | 3.0 | - | 3.0 | | |
| | | 15 | - | 4.0 | - | 6.75 | 4.0 | - | 4.0 | | |
| (V _O = 0.5 or 4.5 Vdc) (V _O = 1.0 or 9.0 Vdc) (V _O = 1.5 or 13.5 Vdc) | "1" Level V _{IH} | 5.0 | 3.5 | - | 3.5 | 2.75 | - | 3.5 | - | Vdc | |
| | | 10 | 7.0 | - | 7.0 | 5.50 | - | 7.0 | - | | |
| | | 15 | 11 | - | 11 | 8.25 | - | 11 | - | | |
| Output Drive Current (V _{OH} = 2.5 Vdc) (V _{OH} = 4.6 Vdc) (V _{OH} = 9.5 Vdc) (V _{OH} = 13.5 Vdc) | Source | I _{OH} | 5.0 | -1.2 | - | -1.0 | -1.7 | - | -0.7 | - | mAd c |
| | | 5.0 | -0.25 | - | -0.2 | -0.36 | - | -0.14 | - | | |
| | | 10 | -0.62 | - | -0.5 | -0.9 | - | -0.35 | - | | |
| | Sink Q Outputs | I _{OL} | 5.0 | 1.28 | - | 1.02 | 1.76 | - | 0.72 | - | mAd c |
| | | | 10 | 3.2 | - | 2.6 | 4.5 | - | 1.8 | - | |
| | | | 15 | 8.4 | - | 6.8 | 17.6 | - | 4.8 | - | |
| Sink Pin 5, 11 only | I _{OL} | 5.0 | 0.64 | - | 0.51 | 0.88 | - | 0.36 | - | mAd c | |
| | | 10 | 1.6 | - | 1.3 | 2.25 | - | 0.9 | - | | |
| | | 15 | 4.2 | - | 3.4 | 8.8 | - | 2.4 | - | | |
| Input Current | I _{in} | 15 | - | ±0.1 | - | ±0.00001 | ±0.1 | - | ±1.0 | µAdc | |
| Input Capacitance | C _{in} | - | - | - | - | 5.0 | 7.5 | - | - | pF | |
| Quiescent Current (Per Package) (Clock = 0 V, Other Inputs = V _{DD} or 0 V, I _{out} = 0 µA) | I _{DD} | 5.0 | - | 5.0 | - | 0.005 | 5.0 | - | 150 | µAdc | |
| | | 10 | - | 10 | - | 0.010 | 10 | - | 300 | | |
| | | 15 | - | 20 | - | 0.015 | 20 | - | 600 | | |
| Total Supply Current (Note 3, 4) (Dynamic plus Quiescent, Per Package) (C _L = 50 pF on all outputs, all buffers switching) | I _T | 5.0 | I _T = (0.8 µA/kHz) f + I _{DD} I _T = (1.6 µA/kHz) f + I _{DD} I _T = (2.4 µA/kHz) f + I _{DD} | | | | | | | µAdc | |

Product parametric performance is indicated in the Electrical Characteristics for the listed test conditions, unless otherwise noted. Product performance may not be indicated by the Electrical Characteristics if operated under different conditions.

2. Noise immunity specified for worst-case input combination.

Noise Margin for both "1" and "0" level = 1.0 V min @ V_{DD} = 5.0 V
= 2.0 V min @ V_{DD} = 10 V
= 2.5 V min @ V_{DD} = 15 V

3. To calculate total supply current at loads other than 50 pF: I_T(C_L) = I_T(50 pF) + 3.5 × 10⁻³ (C_L = 50) V_{DD}f where: I_T is in µA (per package), C_L in pF, V_{DD} in V, and f in kHz is input frequency.

4. The formulas given are for the typical characteristics only at 25°C.

MC14549B, MC14559B

SWITCHING CHARACTERISTICS (Note 5) ($C_L = 50 \text{ pF}$, $T_A = 25^\circ\text{C}$)

| Characteristic | Symbol | V_{DD} | Min | Typ | Max | Unit |
|--|-------------------------|---|---|---|---|---------------|
| Output Rise Time $t_{TLH} = (3.0 \text{ ns/pF}) C_L + 30 \text{ ns}$ $t_{TLH} = (1.5 \text{ ns/pF}) C_L + 15 \text{ ns}$ $t_{TLH} = (1.1 \text{ ns/pF}) C_L + 10 \text{ ns}$ | t_{TLH} | 5.0 10 15 | – – – | 180 90 65 | 360 180 130 | ns |
| Output Fall Time $t_{THL} = (1.5 \text{ ns/pF}) C_L + 25 \text{ ns}$ $t_{THL} = (0.75 \text{ ns/pF}) C_L + 12.5 \text{ ns}$ $t_{THL} = (0.55 \text{ ns/pF}) C_L + 9.5 \text{ ns}$ | t_{THL} | 5.0 10 15 | – – – | 100 50 40 | 200 100 80 | ns |
| Propagation Delay Time Clock to Q $t_{PLH}, t_{PHL} = (1.7 \text{ ns/pF}) C_L + 415 \text{ ns}$ $t_{PLH}, t_{PHL} = (0.66 \text{ ns/pF}) C_L + 177 \text{ ns}$ $t_{PLH}, t_{PHL} = (0.5 \text{ ns/pF}) C_L + 130 \text{ ns}$ Clock to S_{out} $t_{PLH}, t_{PHL} = (1.7 \text{ ns/pF}) C_L + 665 \text{ ns}$ $t_{PLH}, t_{PHL} = (0.66 \text{ ns/pF}) C_L + 277 \text{ ns}$ $t_{PLH}, t_{PHL} = (0.5 \text{ ns/pF}) C_L + 195 \text{ ns}$ Clock to EOC $t_{PLH}, t_{PHL} = (1.7 \text{ ns/pF}) C_L + 215 \text{ ns}$ $t_{PLH}, t_{PHL} = (0.66 \text{ ns/pF}) C_L + 97 \text{ ns}$ $t_{PLH}, t_{PHL} = (0.5 \text{ ns/pF}) C_L + 75 \text{ ns}$ | $t_{PLH},$ t_{PHL} | 5.0 10 15 5.0 10 15 5.0 10 15 | – – – – – – – – – | 500 210 155 750 310 220 300 130 100 | 1000 420 310 1500 620 440 600 260 200 | ns |
| SC, D, FF or MR Setup Time | t_{su} | 5.0 10 15 | 250 100 80 | 125 50 40 | – – – | ns |
| Clock Pulse Width | $t_{WH(cl)}$ | 5.0 10 15 | 700 270 200 | 350 135 100 | – – – | ns |
| Pulse Width — D, SC, FF or MR | t_{WH} | 5.0 10 15 | 500 200 160 | 250 100 80 | – – – | ns |
| Clock Rise and Fall Time | $t_{TLH},$ t_{THL} | 5.0 10 15 | – – – | – – – | 15 1.0 0.5 | μs |
| Clock Pulse Frequency | f_{cl} | 5.0 10 15 | – – – | 1.5 3.0 4.0 | 0.8 1.5 2.0 | MHz |

5. The formulas given are for the typical characteristics only.

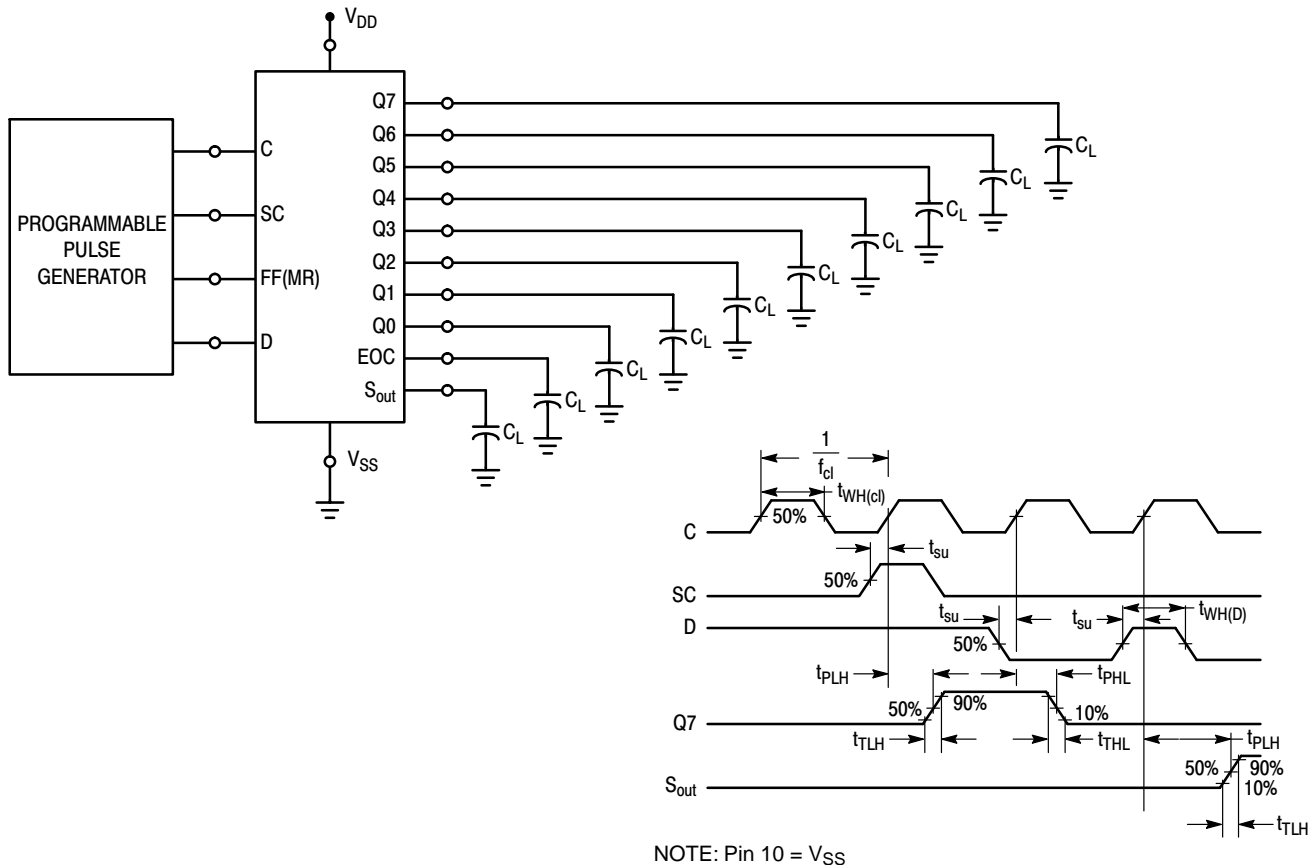
ORDERING INFORMATION

| Device | Package | Shipping [†] |
|---------------|-------------------------|-----------------------|
| MC14549BDWR2G | SOIC-16 WB (Pb-Free) | 1000 / Tape & Reel |
| MC14559BDWR2G | SOIC-16 WB (Pb-Free) | 1000 / Tape & Reel |

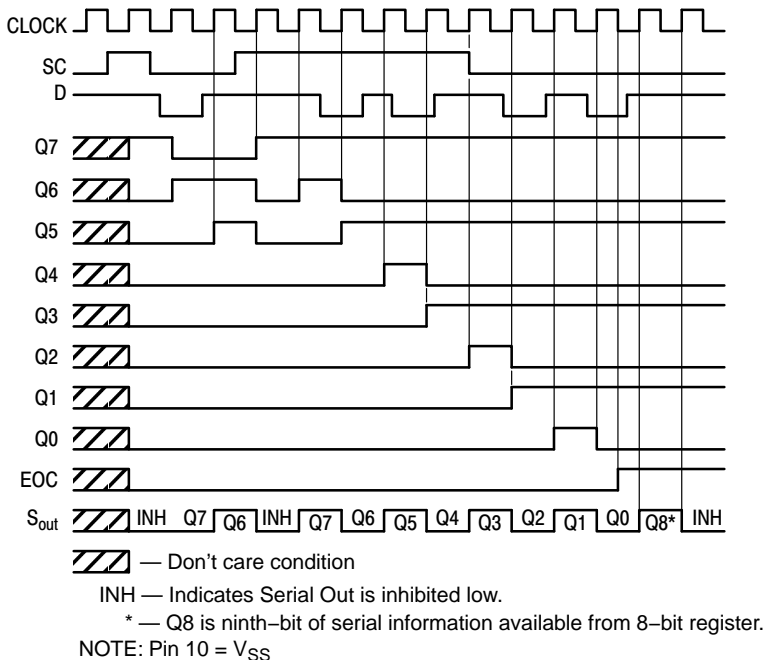
[†]For information on tape and reel specifications, including part orientation and tape sizes, please refer to our Tape and Reel Packaging Specifications Brochure, BRD8011/D.

MC14549B, MC14559B

SWITCHING TIME TEST CIRCUIT AND WAVEFORMS



TIMING DIAGRAM



MC14549B, MC14559B

OPERATING CHARACTERISTICS

Both the MC14549B and MC14559B can be operated in either the “free run” or “strobed operation” mode for conversion schemes with any number of bits. Reliable cascading and/or recirculating operation can be achieved if the End of Convert (EOC) output is used as the controlling function, since with $EOC = 0$ (and with $SC = 1$ for MC14549B but either 1 or 0 for MC14559B) no stable state exists under continual clocked operation. The MC14559B will automatically recirculate after $EOC = 1$ during externally strobed operation, provided $SC = 1$.

All data and control inputs for these devices are triggered into the circuit on the positive edge of the clock pulse.

Operation of the various terminals is as follows:

C = Clock — A positive-going transition of the Clock is required for data on any input to be strobed into the circuit.

SC = Start Convert — A conversion sequence is initiated on the positive-going transition of the SC input on succeeding clock cycles.

D = Data in — Data on this input (usually from a comparator in A/D applications) is also entered into the circuit on a positive-going transition of the clock. This input is Schmitt triggered and synchronized to allow fast response and guaranteed quality of serial and parallel data.

MR = Master Reset (MC14549B Only) — Resets all output to 0 on positive-going transitions of the clock. If removed while $SC = 0$, the circuit will remain reset until $SC = 1$. This allows easy cascading of circuits.

FF = Feed Forward (MC14559B Only) — Provides register shortening by removing unwanted bits from a system.

For operation with less than 8 bits, tie the output *following* the least significant bit of the circuit to EOC. E.g., for a 6-bit

conversion, tie Q1 to FF; the part will respond as shown in the timing diagram less two bit times. Note that Q1 and Q0 will still operate and must be disregarded.

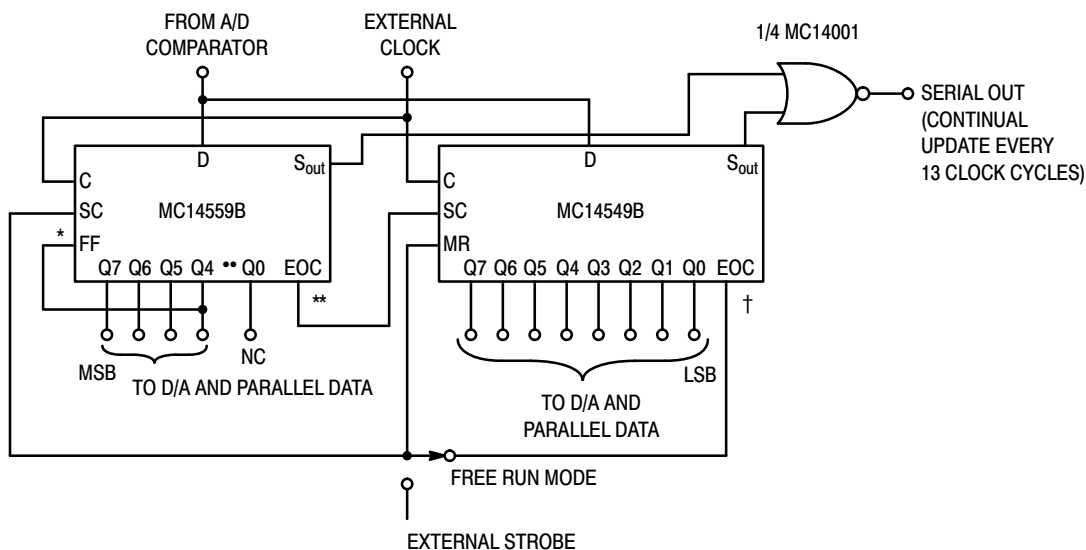
For 8-bit operation, FF is tied to V_{SS} .

For applications with more than 8 but less than 16 bits, use the basic connections shown in Figure 1. The FF input of the MC14559B is used to shorten the setup. Tying FF directly to the least significant bit used in the MC14559B allows EOC to provide the cascading signal, and results in smooth transition of serial information from the MC14559B to the MC14549B. The Serial Out (S_{out}) inhibit structure of the MC14559B remains inactive one cycle after EOC goes high, while S_{out} of the MC14549B remains inhibited until the second clock cycle of its operation.

$Q_n =$ Data Outputs — After a conversion is initiated the Q's on succeeding cycles go high and are then conditionally reset dependent upon the state of the D input. Once conditionally reset they remain in the proper state until the circuit is either reset or reinitiated.

EOC = End of Convert — This output goes high on the negative-going transition of the clock following $FF = 1$ (for the MC14559B) or the conditional reset of Q0. This allows settling of the digital circuitry prior to the End of Conversion indication. Therefore either level or edge triggering can indicate complete conversion.

$S_{out} =$ Serial Out — Transmits conversion in serial fashion. Serial data occurs during the clock period when the corresponding parallel data bit is conditionally reset. Serial Out is inhibited on the initial period of a cycle, when the circuit is reset, and on the second cycle after EOC goes high. This provides efficient operation when cascaded.



* FF allows EOC to activate as if in 4-stage register.

** Cascading using EOC guaranteed; no stable unfunctional state.

† Completion of conversion automatically re-initiates cycle in free run mode.

Figure 1. 12-Bit Conversion Scheme

TYPICAL APPLICATIONS

Externally Controlled 6-Bit ADC (Figure 2)

Several features are shown in this application:

- Shortening of the register to six bits by feeding the seventh output bit into the FF input.
- Continuous conversion, if a continuous signal is applied to SC.
- Externally controlled updating (the start pulse must be shorter than the conversion cycle).
- The EOC output indicating that the parallel data are valid and that the serial output is complete.

Continuously Cycling 8-Bit ADC (Figure 3)

This ADC is running continuously because the EOC signal is fed back to the SC input, immediately initiating a new cycle on the next clock pulse.

Continuously Cycling 12-Bit ADC (Figure 4)

Because each successive approximation register (SAR) has a capability of handling only an eight-bit word, two must be cascaded to make an ADC with more than eight bits.

When it is necessary to cascade two SAR's, the second SAR must have a stable resettable state to remain in while awaiting a subsequent start signal. However, the first stage must not have a stable resettable state while recycling, because during switch-on or due to outside influences, the first stage has entered a reset state, the entire ADC will remain in a stable non-functional condition.

This 12-bit ADC is continuously recycling. The serial as well as the parallel outputs are updated every thirteenth clock pulse. The EOC pulse indicates the completion of the 12-bit conversion cycle, the end of the serial output word, and the validity of the parallel data output.

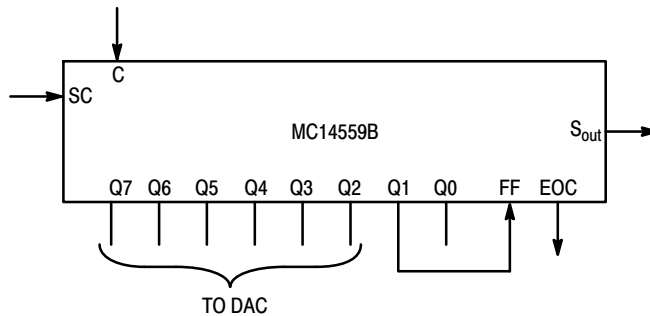


Figure 2. Externally Controlled 6-Bit ADC

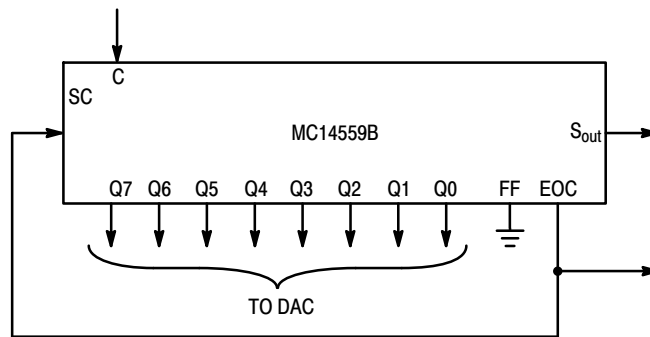


Figure 3. Continuously Cycling 8-Bit ADC

MC14549B, MC14559B

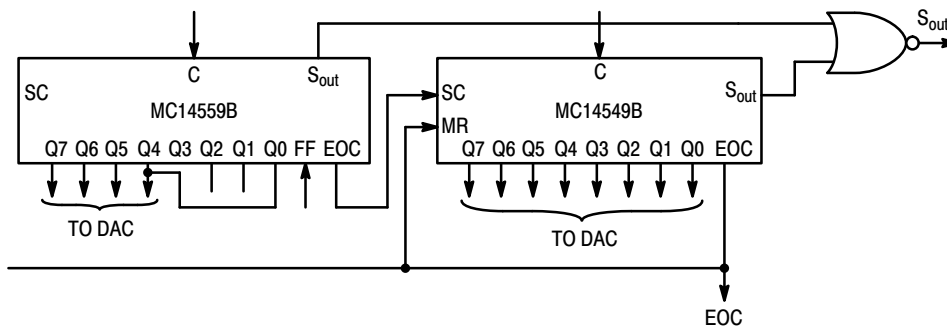


Figure 4. Continuously Cycling 12-Bit ADC

Externally Controlled 12-Bit ADC (Figure 5)

In this circuit the external pulse starts the first SAR and simultaneously resets the cascaded second SAR. When Q4 of the first SAR goes high, the second SAR starts conversion, and the first one stops conversion. EOC indicates that the parallel data are valid and that the serial output is complete. Updating the output data is started with every external control pulse.

Additional Motorola Parts for Successive Approximation ADC

Monolithic digital-to-analog converters — The MC1408/1508 converter has eight-bit resolution and is available with 6, 7, and 8-bit accuracy. **The amplifier-comparator block** — The MC1407/1507 contains a high speed operational amplifier and a high speed comparator with adjustable window.

With these two linear parts it is possible to construct SA-ADCs with an accuracy of up to eight bits, using as the register one MC14549B or one MC14559B. An additional CMOS block will be necessary to generate the clock frequency.

Additional information on successive approximation ADC is found in Motorola Application Note AN-716.

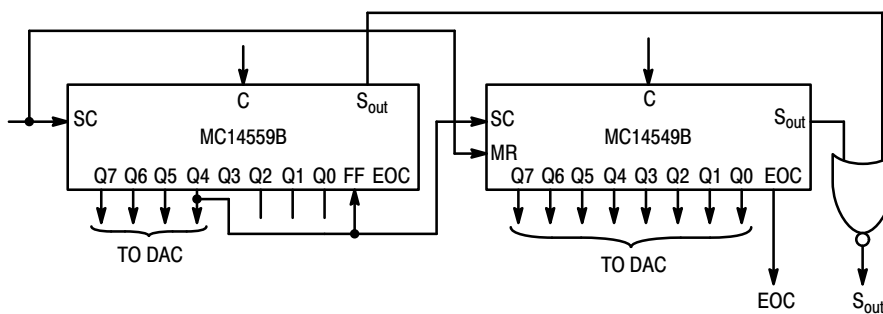
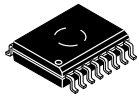


Figure 5. Externally Controlled 12-Bit ADC

MECHANICAL CASE OUTLINE

PACKAGE DIMENSIONS

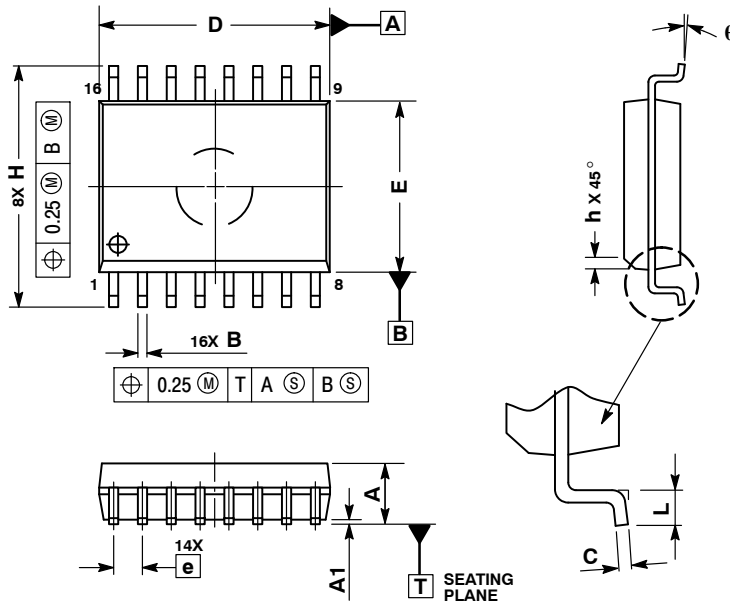
ON Semiconductor®



1
SCALE 1:1

SOIC-16 WB
CASE 751G-03
ISSUE D

DATE 12 FEB 2013

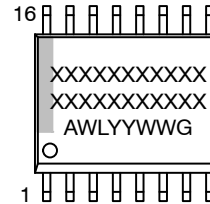


NOTES:

1. DIMENSIONS ARE IN MILLIMETERS.
2. INTERPRET DIMENSIONS AND TOLERANCES PER ASME Y14.5M, 1994.
3. DIMENSIONS D AND E DO NOT INCLUDE MOLD PROTRUSION.
4. MAXIMUM MOLD PROTRUSION 0.15 PER SIDE.
5. DIMENSION B DOES NOT INCLUDE DAMBAR PROTRUSION. ALLOWABLE DAMBAR PROTRUSION SHALL BE 0.13 TOTAL IN EXCESS OF THE B DIMENSION AT MAXIMUM MATERIAL CONDITION.

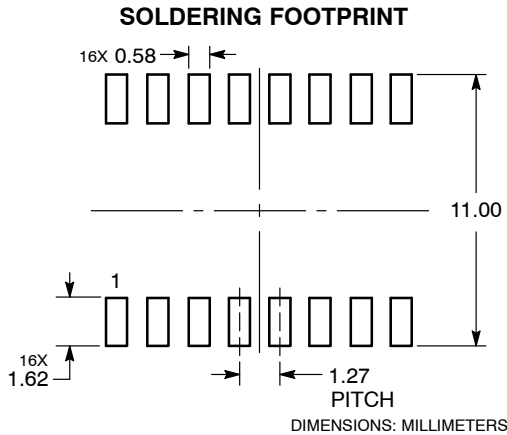
| MILLIMETERS | | |
|-------------|----------|-------|
| DIM | MIN | MAX |
| A | 2.35 | 2.65 |
| A1 | 0.10 | 0.25 |
| B | 0.35 | 0.49 |
| C | 0.23 | 0.32 |
| D | 10.15 | 10.45 |
| E | 7.40 | 7.60 |
| e | 1.27 BSC | |
| H | 10.05 | 10.55 |
| h | 0.25 | 0.75 |
| L | 0.50 | 0.90 |
| q | 0° | 7° |

GENERIC MARKING DIAGRAM*



- XXXXX = Specific Device Code
- A = Assembly Location
- WL = Wafer Lot
- YY = Year
- WW = Work Week
- G = Pb-Free Package

*This information is generic. Please refer to device data sheet for actual part marking. Pb-Free indicator, "G" or microdot "▪", may or may not be present.



| | | |
|-------------------------|--------------------|--|
| DOCUMENT NUMBER: | 98ASB42567B | Electronic versions are uncontrolled except when accessed directly from the Document Repository. Printed versions are uncontrolled except when stamped "CONTROLLED COPY" in red. |
| DESCRIPTION: | SOIC-16 WB | PAGE 1 OF 1 |

ON Semiconductor and ON are trademarks of Semiconductor Components Industries, LLC dba ON Semiconductor or its subsidiaries in the United States and/or other countries. ON Semiconductor reserves the right to make changes without further notice to any products herein. ON Semiconductor makes no warranty, representation or guarantee regarding the suitability of its products for any particular purpose, nor does ON Semiconductor assume any liability arising out of the application or use of any product or circuit, and specifically disclaims any and all liability, including without limitation special, consequential or incidental damages. ON Semiconductor does not convey any license under its patent rights nor the rights of others.

ON Semiconductor and  are trademarks of Semiconductor Components Industries, LLC dba ON Semiconductor or its subsidiaries in the United States and/or other countries. ON Semiconductor owns the rights to a number of patents, trademarks, copyrights, trade secrets, and other intellectual property. A listing of ON Semiconductor's product/patent coverage may be accessed at www.onsemi.com/site/pdf/Patent-Marking.pdf. ON Semiconductor reserves the right to make changes without further notice to any products herein. ON Semiconductor makes no warranty, representation or guarantee regarding the suitability of its products for any particular purpose, nor does ON Semiconductor assume any liability arising out of the application or use of any product or circuit, and specifically disclaims any and all liability, including without limitation special, consequential or incidental damages. Buyer is responsible for its products and applications using ON Semiconductor products, including compliance with all laws, regulations and safety requirements or standards, regardless of any support or applications information provided by ON Semiconductor. "Typical" parameters which may be provided in ON Semiconductor data sheets and/or specifications can and do vary in different applications and actual performance may vary over time. All operating parameters, including "Typicals" must be validated for each customer application by customer's technical experts. ON Semiconductor does not convey any license under its patent rights nor the rights of others. ON Semiconductor products are not designed, intended, or authorized for use as a critical component in life support systems or any FDA Class 3 medical devices or medical devices with a same or similar classification in a foreign jurisdiction or any devices intended for implantation in the human body. Should Buyer purchase or use ON Semiconductor products for any such unintended or unauthorized application, Buyer shall indemnify and hold ON Semiconductor and its officers, employees, subsidiaries, affiliates, and distributors harmless against all claims, costs, damages, and expenses, and reasonable attorney fees arising out of, directly or indirectly, any claim of personal injury or death associated with such unintended or unauthorized use, even if such claim alleges that ON Semiconductor was negligent regarding the design or manufacture of the part. ON Semiconductor is an Equal Opportunity/Affirmative Action Employer. This literature is subject to all applicable copyright laws and is not for resale in any manner.

PUBLICATION ORDERING INFORMATION

LITERATURE FULFILLMENT:

Email Requests to: orderlit@onsemi.com

ON Semiconductor Website: www.onsemi.com

TECHNICAL SUPPORT

North American Technical Support:
Voice Mail: 1 800-282-9855 Toll Free USA/Canada
Phone: 011 421 33 790 2910

Europe, Middle East and Africa Technical Support:

Phone: 00421 33 790 2910

For additional information, please contact your local Sales Representative