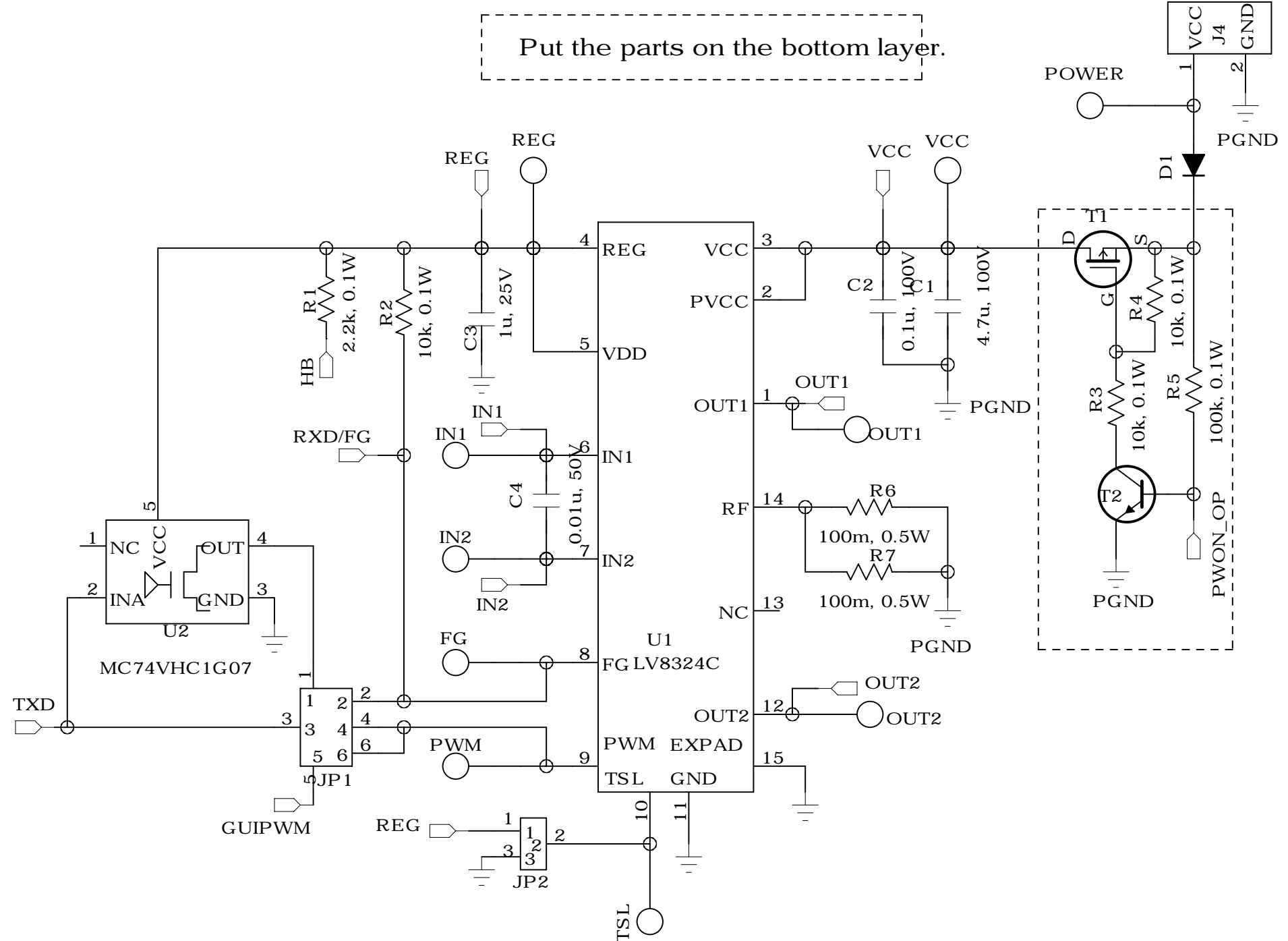
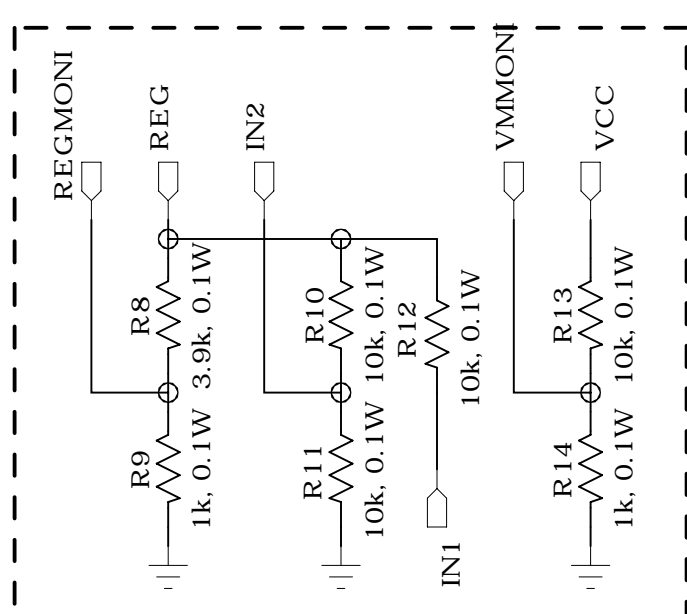
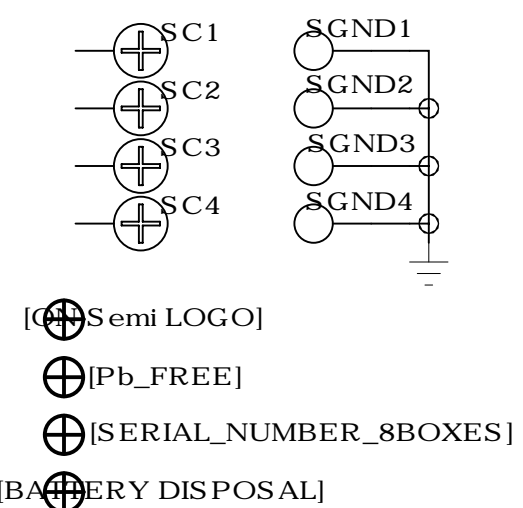
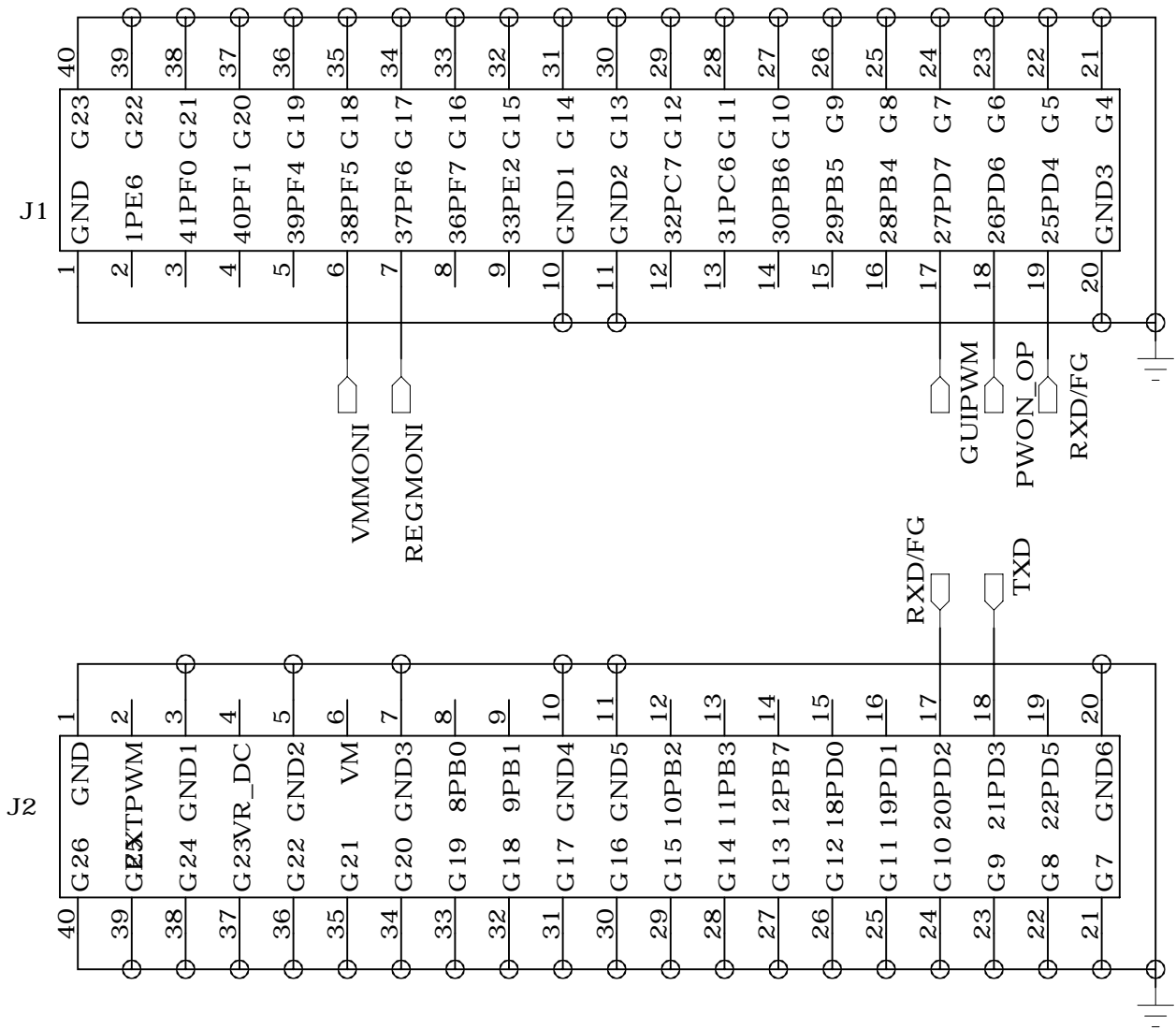


# LV8324C V1.0 SCHEMATIC

2018/10/25



Put the parts on the bottom layer.

