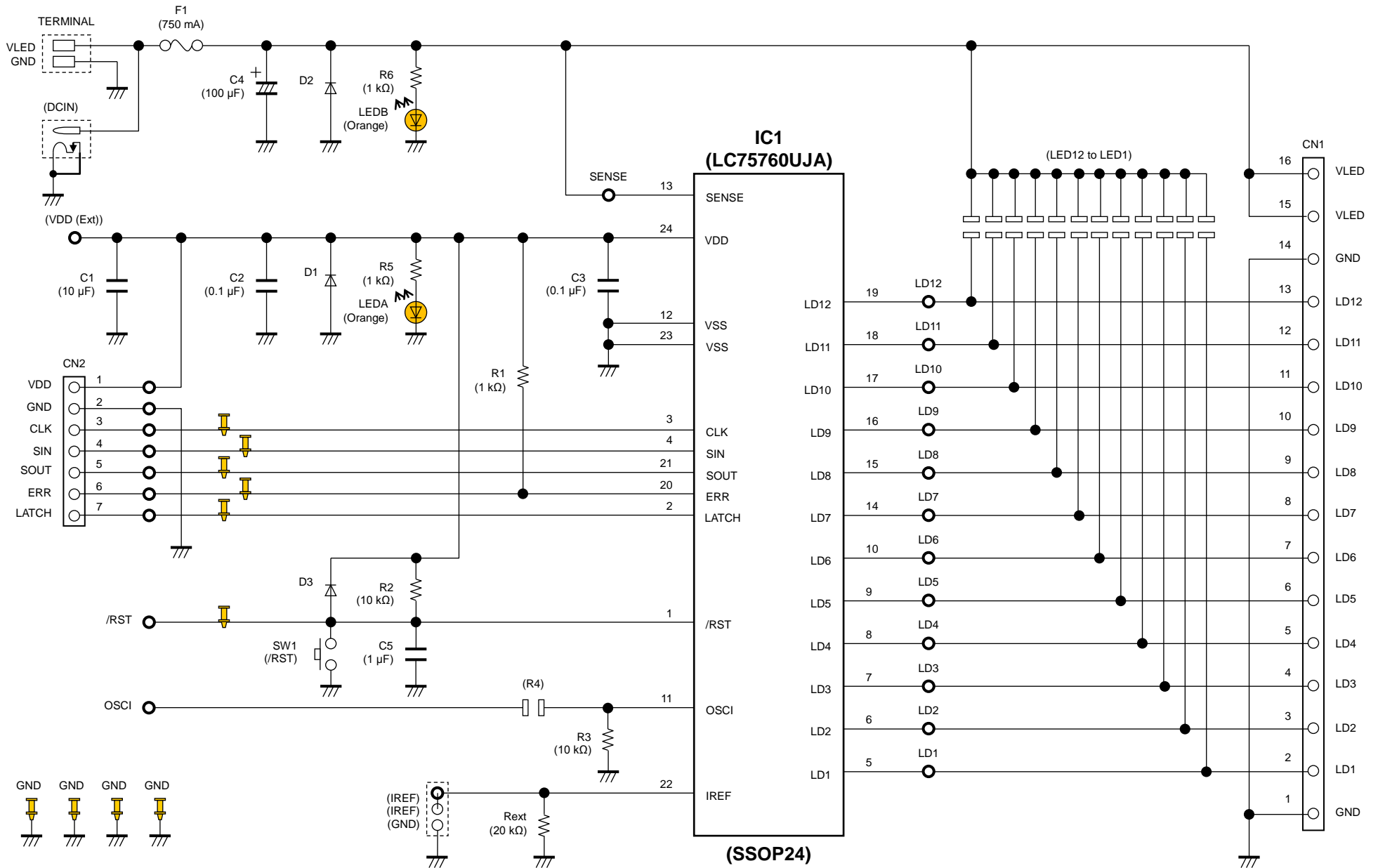


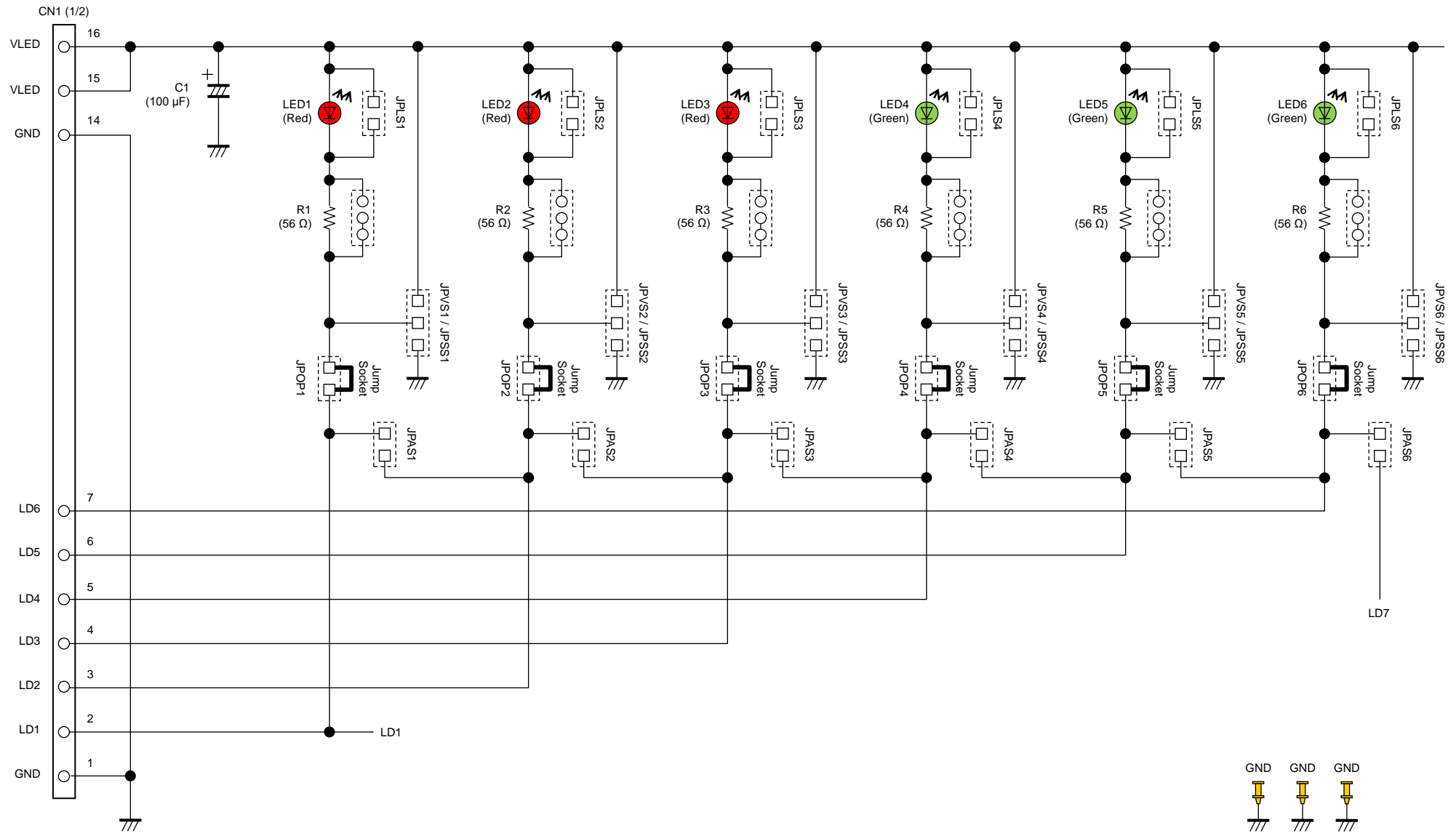


Schematic for the LC75760UJAMGEVB Evaluation Board





Schematic for the LC75760UJAS1EVB Evaluation Board (1/2)





Schematic for the LC75760UJAS1EVB Evaluation Board (2/2)

