



ON Semiconductor®

<http://onsemi.com>

LB1980H

Monolithic Digital IC For VCR Capstan Motors 3-Phase Brushless Motor Driver

Overview

The LB1980H is a 3-phase brushless motor driver that is particularly appropriate for VCR capstan motor drivers.

Functions

- 3-phase full-wave drive
- Built-in torque ripple correction circuit (variable correction ratio)
- Current limiter circuit
- Upper and lower side output stage over-saturation prevention circuit that does not require external capacitors.
- FG amplifier
- Thermal shutdown circuit

Specifications

Absolute Maximum Ratings at $T_a = 25^\circ\text{C}$

Parameter	Symbol	Conditions	Ratings	Unit
Maximum supply voltage	V_{CC} max		7	V
	V_S max		24	V
Maximum output current	I_O max		1.3	A
Allowable power dissipation	P_d max	Mounted on a board *	1.81	W
		Independent IC	0.77	W
Operating temperature	T_{opr}		-20 to 75	$^\circ\text{C}$
Storage temperature	T_{stg}		-55 to +150	$^\circ\text{C}$

* Mounted on a 76.1mm×114.3mm×1.6mm, glass epoxy printed circuit board.

Stresses exceeding those listed in the Maximum Ratings table may damage the device. If any of these limits are exceeded, device functionality should not be assumed, damage may occur and reliability may be affected.

LB1980H

Allowable Operating Ranges at Ta = 25°C

Parameter	Symbol	Conditions	Ratings	Unit
Supply voltage	V _S		5 to 22	V
	V _{CC}		4.5 to 5.5	V
Hall input amplitude	V _{HALL}	Between the hall inputs	±30 to ±80	mV _{o-p}
GSENSE pin input range	V _{GSENSE}	With respect to the control system ground	-0.20 to +0.20	V

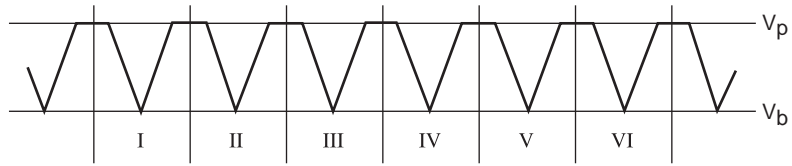
Electrical Characteristics at Ta = 25°C, V_{CC} = 5V, V_S = 15V

Parameter	Symbol	Conditions	Ratings			Unit
			min	typ	max	
V _{CC} supply current	I _{CC}	R _L =∞, V _{CTL} =0V, V _{LIM} =0V (Quiescent)		12	18	mA
Outputs						
Output saturation voltage	VO sat1	I _O =500mA, R _f =0.5Ω, Sink+Source V _{CTL} =V _{LIM} =5V(With saturation prevention)		2.1	2.6	V
	VO sat2	I _O =1.0mA, R _f =0.5Ω, Sink+Source V _{CTL} =V _{LIM} =5V(With saturation prevention)		2.6	3.5	V
Output leakage current	I _O leak				1.0	mA
FR						
FR pin input threshold voltage	V _{FSR}		2.25	2.50	2.75	V
FR pin input bias current	I _B (FSR)		-5.0			mA
Control						
CTLREF pin voltage	V _{CREF}		2.05	2.15	2.25	V
CTLREF pin input range	V _{CREFIN}		1.50		3.50	V
CTL pin input bias current	I _B (CTL)	With V _{CTL} =5V and the CTLREF pin open			4.0	μA
CTL pin control start voltage	V _{CTL} (ST)	With R _f =0.5Ω, V _{LIM} =5V, I _O ≥10mA, Hall input logic fixed (U, V, W=H, H, L)	2.00	2.15	2.30	V
CTL pin control Gm	G _m (CTL)	With R _f =0.5Ω, ΔI _O =200mA, Hall input logic fixed (U, V, W=H, H, L)	0.46	0.58	0.70	A / V
Current Limiter						
LIM current limit offset voltage	V _{off} (LIM)	With R _f =0.5Ω, V _{CTL} =5V, I _O ≥10mA, Hall input logic fixed (U, V, W=H, H, L)	140	200	260	mV
LIM pin input bias current	I _B (LIM)	With V _{CTL} =5V and the V _{CREF} pin open	-2.5			μA
LIM pin current control level	I _{LIM}	With R _f =0.5Ω, V _{CTL} =5V, V _{LIM} =2.06V Hall input logic fixed (U, V, W=H, H, L)	830	900	970	mA
Hall Amplifier						
Hall amplifier input offset voltage	V _{off} (HALL)		-6		+6	mA
Hall amplifier input bias current	I _B (HALL)			1.0	3.0	μA
Hall amplifier common-mode input voltage range	V _{CM} (HALL)			1.3	3.3	V
TRC						
Torque ripple correction ratio	TRC	For the high and low peaks in the R _f waveform when I _O =200mA. (R _f =0.5Ω, with the ADJ pin open) *1		9		%
ADJ pin voltage	V _{ADJ}		2.37	2.50	2.63	V
FG Amplifier						
FG amplifier input offset voltage	V _{off} (FG)		-8		+8	mV
FG amplifier input bias current	I _B (FG)		-100			nA
FG amplifier output saturation voltage	V _O sat (FG)	Sink side, for the load provided by the internal pull-up resistor			0.5	V
FG amplifier voltage gain	V _G (FG)	For the open loop state with f=10kHz	41.5	44.5	47.5	dB
FG amplifier common-mode input voltage	V _{GM} (FG)		0.5		4.0	V
Saturation						
Saturation prevention circuit lower side voltage setting	VO sat(DET)	The voltages between each OUT and R _f pair when I _O =10mA, R _f =0.5Ω, and V _{CTL} =V _{LIM} =5V	0.175	0.25	0.325	V
TSD						
TSD operating temperature	TSD	Design target value *2		180		°C
Hysteresis width	ΔTSD	Design target value *2		20		°C

Notes : *1. The torque ripple correction ratio is determined as follows from the R_f voltage waveform.

*2. Parameters that are indicated as design target values in the conditions column are not tested.

LB1980H



For each Hall logic setting

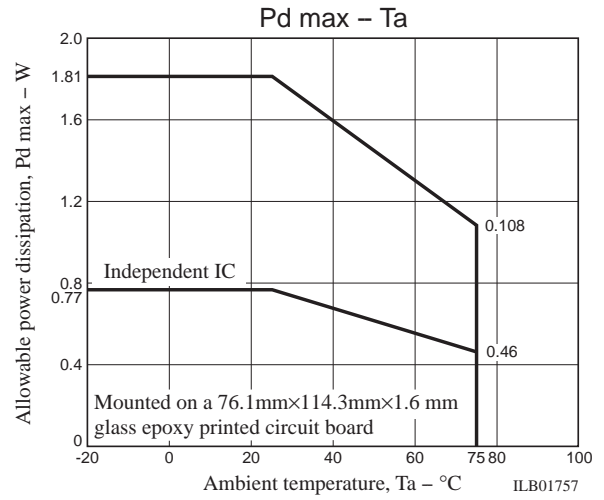
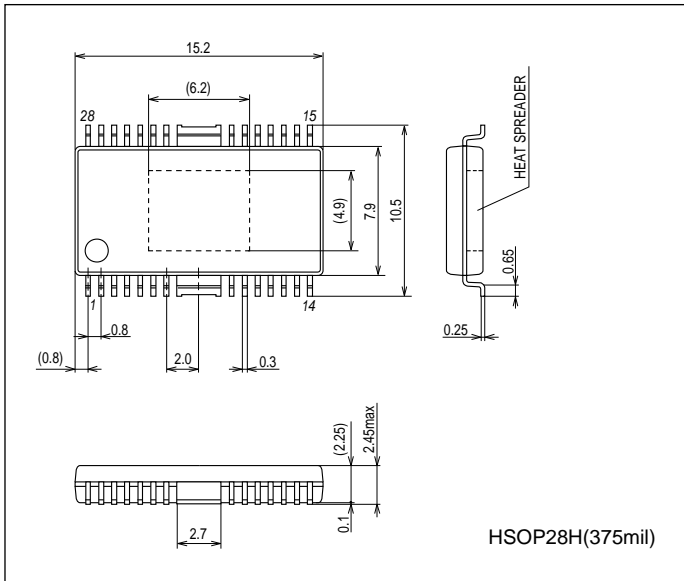
Ground level

$$\text{Correction ratio} = \frac{25(V_p - V_b)}{V_p - V_b} \cdot 1005(\%)$$

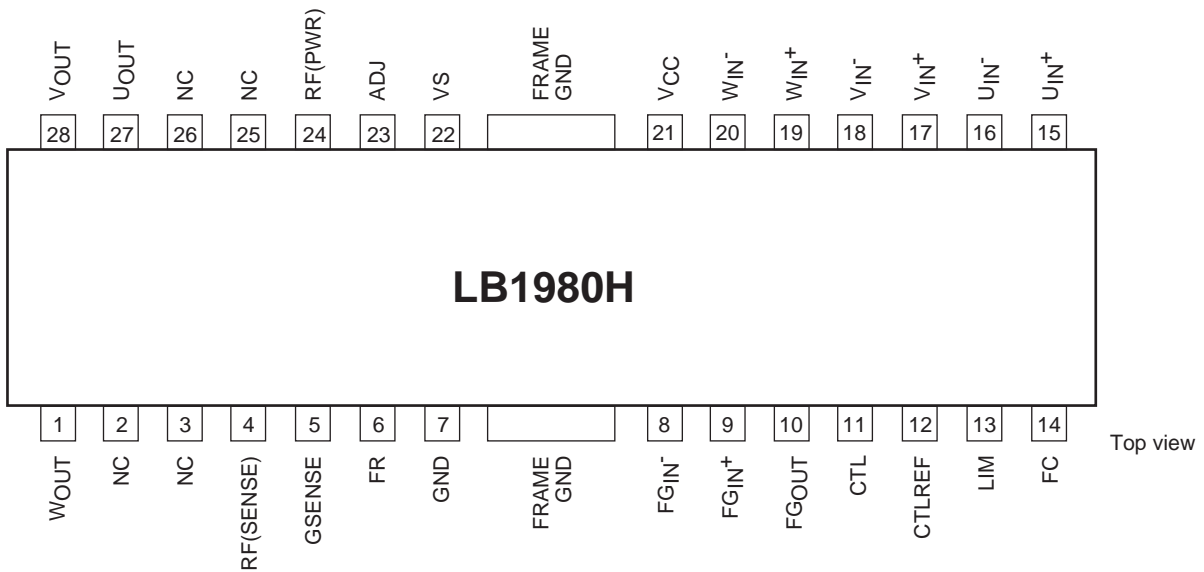
Package Dimensions

unit : mm (typ)

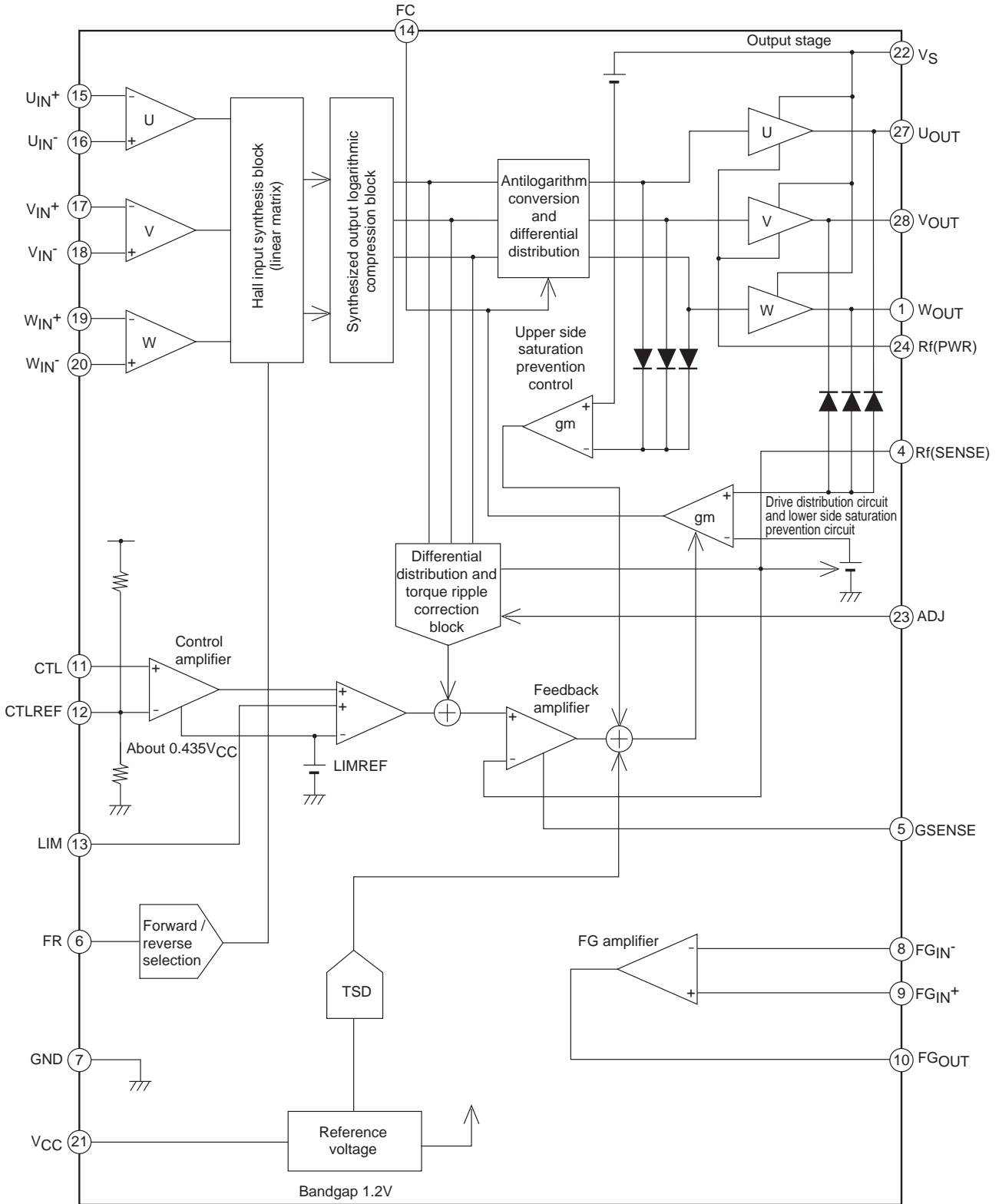
3233B



Pin Assignment



Block Diagram



Pin Function

Pin No.	Pin Name	Function	Equivalent circuit
27 28 1	U_{OUT} V_{OUT} W_{OUT}	U phase output, Spark killer diodes are built-in. V phase output, Spark killer diodes are built-in. W phase output, Spark killer diodes are built-in.	
4 5	R_f (SENSE) R_f (PWR)	Output current detection. The control block current limiter operates using the resistor R_f connected between these pins and ground. Also, the lower side saturation prevention circuit and the torque ripple correction circuit operate based on the voltages across this resistor. It is especially important to note that, since the saturation prevention level is set using this voltage, the lower side saturation prevention circuit will become less effective in the high current region if the value of R_f is lowered excessively. Also, the PWR and SENSE pins must be connected together.	
22	V_S	Output block power supply	
5	GSENSE	Ground sensing. The influence of the common ground impedance on R_f can be excluded by connecting this pin to nearest ground for the R_f resistor side of the motor ground wiring that includes R_f . (This pin must not be left open.)	
6	FR	Forward / reverse selection. The voltage applied to this pin selects the motor direction (forward or reverse). ($V_{th}=2.5V$ at $V_{CC}=5V$ (typical))	
23	ADJ	Used for external adjustment of the torque ripple correction ratio. Apply a voltage externally with a low-impedance circuit to the ADJ pin to adjust the correction ratio. The correction ratio falls as the applied voltage is increased, and increases as the applied voltage decreases. The torque ripple correction ratio can be modified by factors in the range 0 to 2 times the ratio that applies when this pin is left open. (The pin voltage is set to about $V_{CC} / 2$ internally, and the input impedance is about 5kΩ.)	
7	GND	Ground for all circuits other than the output transistors. The lowest potential of the output transistors is that of the R_f pin.	
8	FG_{IN}^-	Input used when the FG amplifier is used as an inverting input. A feedback resistor must be connected between FG_{OUT} and this pin.	
9	FG_{IN}^+	Non-inverting input used when the FG amplifier is used as a differential input amplifier. No bias is applied internally.	
10	FG_{OUT}	FG amplifier output. There is an internal resistive load.	
14	FC	Speed control loop frequency characteristics correction.	

Continued on next page.

Continued from preceding page.

Pin No.	Pin Name	Function	Equivalent circuit
11	CTL	Speed control input. The control implemented is fixed current drive controlled by current feedback from Rf. $G_m=0.58 / V$ (typical) when $R_f=0.5\Omega$	
12	CTLREF	Control reference voltage. While this pin is set to about $0.43 \times V_{CC}$ internally, this voltage can be modified by applying a voltage from a low-impedance circuit. (The input impedance is about $4.3k\Omega$).	
13	LIM	Current limiter function control. The output current can be varied linearly by applying a voltage to this pin. The slope is $0.5A / V$ (typical) when $R_f=0.5\Omega$.	
15	U_{IN}^+	U phase Hall element inputs.	
16	U_{IN}^-	Logic high is defined as states where $IN^+ > IN^-$.	
17	V_{IN}^+	V phase Hall element inputs.	
18	V_{IN}^-	Logic high is defined as states where $IN^+ > IN^-$.	
19	W_{IN}^+	W phase Hall element inputs.	
20	W_{IN}^-	Logic high is defined as states where $IN^+ > IN^-$.	
21	V_{CC}	Power supply for all internal blocks other than the output block. This voltage must be stabilized so that noise and ripple do not enter the IC.	

Truth Table and Control Functions

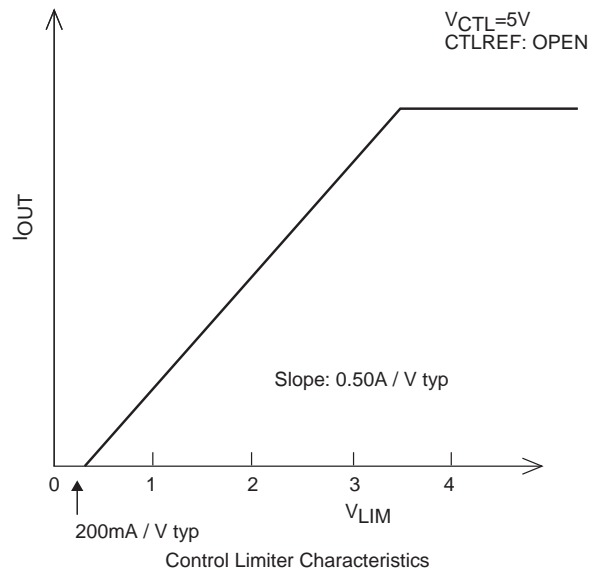
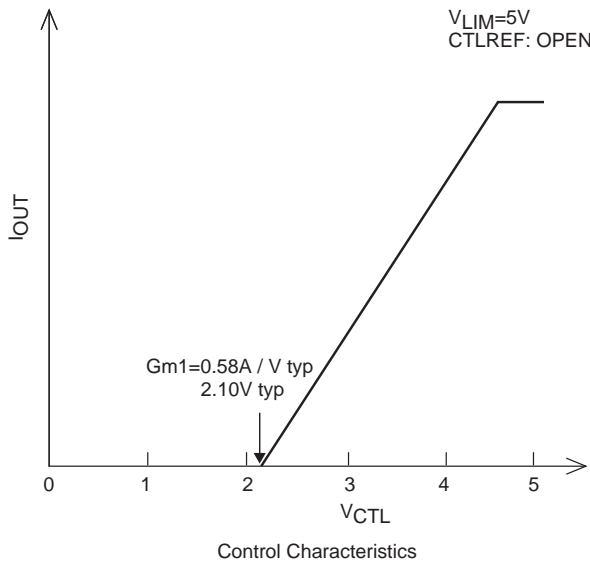
	Source → Sink	Hall input			FR
		U	V	W	
1	Phase V → Phase W	H	H	L	H
	Phase W → Phase V	H	H	L	L
2	Phase U → Phase W	H	L	L	H
	Phase W → Phase U	H	L	L	L
3	Phase U → Phase V	H	L	H	H
	Phase V → Phase U	H	L	H	L
4	Phase W → Phase V	L	L	H	H
	Phase V → Phase W	L	L	H	L
5	Phase W → Phase U	L	H	H	H
	Phase U → Phase W	L	H	H	L
6	Phase V → Phase U	L	H	L	H
	Phase U → Phase V	L	H	L	L

Note: In the FR column, “H” refers to a voltage of 2.75V or higher, and “L” refers to 2.25V or lower (when $V_{CC}=5V$).

Note: In the Hall input column, “H” refers to the state in the corresponding phase where the +input is at a potential at least 0.01V higher than the -input, and “L” refers to the state where the -input is at a potential at least 0.01V higher than the +input.

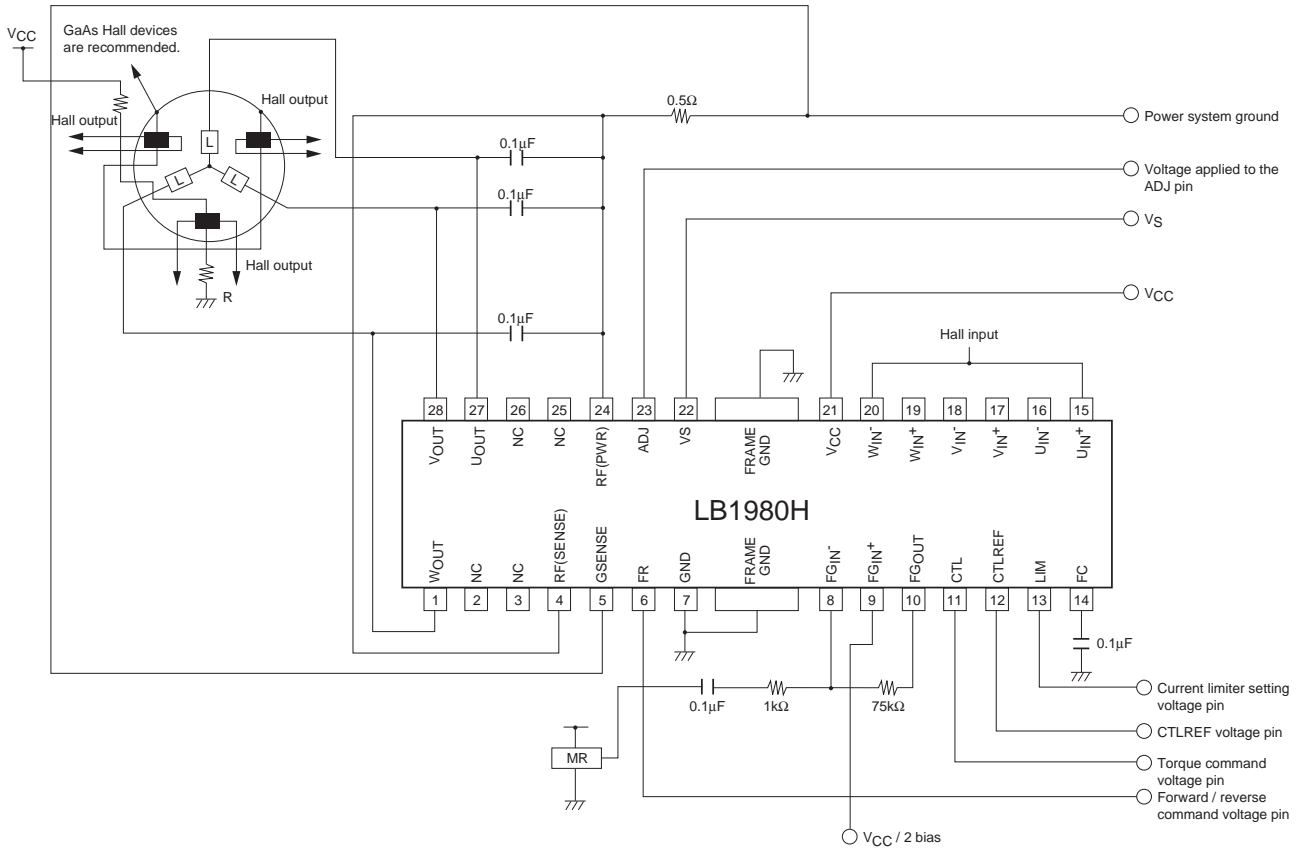
Note: Since the drive technique adopted is a 180° technique, phases other than the sink and source phase do not turn off.

Control Function and Current Limiter Function



LB1980H

Application Circuit Example



ON Semiconductor and the ON Semiconductor logo are trademarks of Semiconductor Components Industries, LLC dba ON Semiconductor or its subsidiaries in the United States and/or other countries. ON Semiconductor owns the rights to a number of patents, trademarks, copyrights, trade secrets, and other intellectual property. A listing of ON Semiconductor's product/patent coverage may be accessed at www.onsemi.com/site/pdf/Patent-Marking.pdf. ON Semiconductor reserves the right to make changes without further notice to any products herein. ON Semiconductor makes no warranty, representation or guarantee regarding the suitability of its products for any particular purpose, nor does ON Semiconductor assume any liability arising out of the application or use of any product or circuit, and specifically disclaims any and all liability, including without limitation special, consequential or incidental damages. Buyer is responsible for its products and applications using ON Semiconductor products, including compliance with all laws, regulations and safety requirements or standards, regardless of any support or applications information provided by ON Semiconductor. "Typical" parameters which may be provided in ON Semiconductor data sheets and/or specifications can and do vary in different applications and actual performance may vary over time. All operating parameters, including "Typicals" must be validated for each customer application by customer's technical experts. ON Semiconductor does not convey any license under its patent rights nor the rights of others. ON Semiconductor products are not designed, intended, or authorized for use as a critical component in life support systems or any FDA Class 3 medical devices or medical devices with a same or similar classification in a foreign jurisdiction or any devices intended for implantation in the human body. Should Buyer purchase or use ON Semiconductor products for any such unintended or unauthorized application, Buyer shall indemnify and hold ON Semiconductor and its officers, employees, subsidiaries, affiliates, and distributors harmless against all claims, costs, damages, and expenses, and reasonable attorney fees arising out of, directly or indirectly, any claim of personal injury or death associated with such unintended or unauthorized use, even if such claim alleges that ON Semiconductor was negligent regarding the design or manufacture of the part. ON Semiconductor is an Equal Opportunity/Affirmative Action Employer. This literature is subject to all applicable copyright laws and is not for resale in any manner.