



Is Now Part of



**ON Semiconductor®**

To learn more about ON Semiconductor, please visit our website at  
[www.onsemi.com](http://www.onsemi.com)

Please note: As part of the Fairchild Semiconductor integration, some of the Fairchild orderable part numbers will need to change in order to meet ON Semiconductor's system requirements. Since the ON Semiconductor product management systems do not have the ability to manage part nomenclature that utilizes an underscore (\_), the underscore (\_) in the Fairchild part numbers will be changed to a dash (-). This document may contain device numbers with an underscore (\_). Please check the ON Semiconductor website to verify the updated device numbers. The most current and up-to-date ordering information can be found at [www.onsemi.com](http://www.onsemi.com). Please email any questions regarding the system integration to [Fairchild\\_questions@onsemi.com](mailto:Fairchild_questions@onsemi.com).

ON Semiconductor and the ON Semiconductor logo are trademarks of Semiconductor Components Industries, LLC dba ON Semiconductor or its subsidiaries in the United States and/or other countries. ON Semiconductor owns the rights to a number of patents, trademarks, copyrights, trade secrets, and other intellectual property. A listing of ON Semiconductor's product/patent coverage may be accessed at [www.onsemi.com/site/pdf/Patent-Marking.pdf](http://www.onsemi.com/site/pdf/Patent-Marking.pdf). ON Semiconductor reserves the right to make changes without further notice to any products herein. ON Semiconductor makes no warranty, representation or guarantee regarding the suitability of its products for any particular purpose, nor does ON Semiconductor assume any liability arising out of the application or use of any product or circuit, and specifically disclaims any and all liability, including without limitation special, consequential or incidental damages. Buyer is responsible for its products and applications using ON Semiconductor products, including compliance with all laws, regulations and safety requirements or standards, regardless of any support or applications information provided by ON Semiconductor. "Typical" parameters which may be provided in ON Semiconductor data sheets and/or specifications can and do vary in different applications and actual performance may vary over time. All operating parameters, including "Typicals" must be validated for each customer application by customer's technical experts. ON Semiconductor does not convey any license under its patent rights nor the rights of others. ON Semiconductor products are not designed, intended, or authorized for use as a critical component in life support systems or any FDA Class 3 medical devices or medical devices with a same or similar classification in a foreign jurisdiction or any devices intended for implantation in the human body. Should Buyer purchase or use ON Semiconductor products for any such unintended or unauthorized application, Buyer shall indemnify and hold ON Semiconductor and its officers, employees, subsidiaries, affiliates, and distributors harmless against all claims, costs, damages, and expenses, and reasonable attorney fees arising out of, directly or indirectly, any claim of personal injury or death associated with such unintended or unauthorized use, even if such claim alleges that ON Semiconductor was negligent regarding the design or manufacture of the part. ON Semiconductor is an Equal Opportunity/Affirmative Action Employer. This literature is subject to all applicable copyright laws and is not for resale in any manner.



# KA7500C SMPS Controller

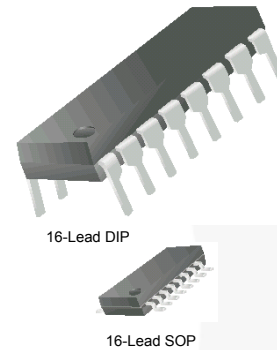
## Features

- Internal Regulator Provides a Stable 5V Reference Supply Trimmed to  $\pm 1\%$  Accuracy
- Uncommitted Output TR for 200mA Sink or Source Current
- Output Control for Push-Pull or Single-Ended Operation
- Variable Duty Cycle by Dead-Time Control (Pin 4) Complete PWM Control Circuit
- On-Chip Oscillator with Master or Slave Operation
- Internal Circuit Prohibits Double Pulse at Either Output


## Description

The KA7500C is used for the control circuit of the pulse-width modulation switching regulator. The KA7500C consists of 5V reference voltage circuit, two error amplifiers, flip flop, an output control circuit, a PWM comparator, a dead-time comparator, and an oscillator.

This device can be operated in the switching frequency of 1kHz to 300kHz. The precision of voltage reference ( $V_{REF}$ ) is improved up to  $\pm 1\%$  with trimming. This provides a better output voltage regulation. The operating temperature range is  $-25^{\circ}\text{C} \sim +85^{\circ}\text{C}$ .



## Ordering Information

Part Number	Operating Temperature Range	 Eco Status	Package	Packing Method
KA7500C	-25 to +85°C	RoHS	16-Lead Dual Inline Package (DIP)	Tube
KA7500CD			16-Lead Small Outline Package (SOP)	Tube
KA7500CDTF				Tape and Reel

 For Fairchild's definition of Eco Status, please visit: [http://www.fairchildsemi.com/company/green/rohs\\_green.html](http://www.fairchildsemi.com/company/green/rohs_green.html).

Block Diagram

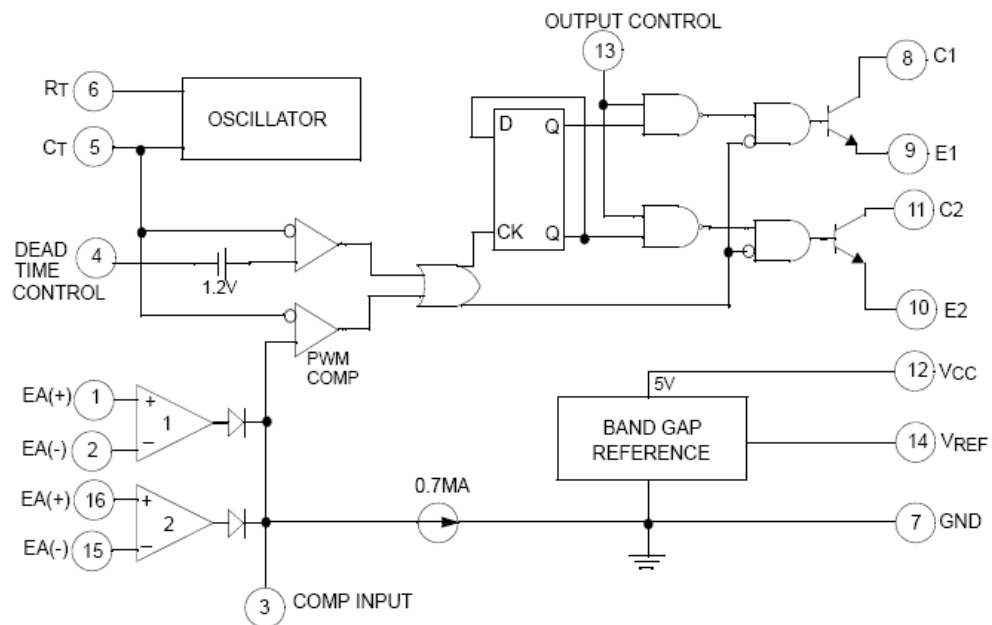


Figure 1. Block Diagram

Typical Application

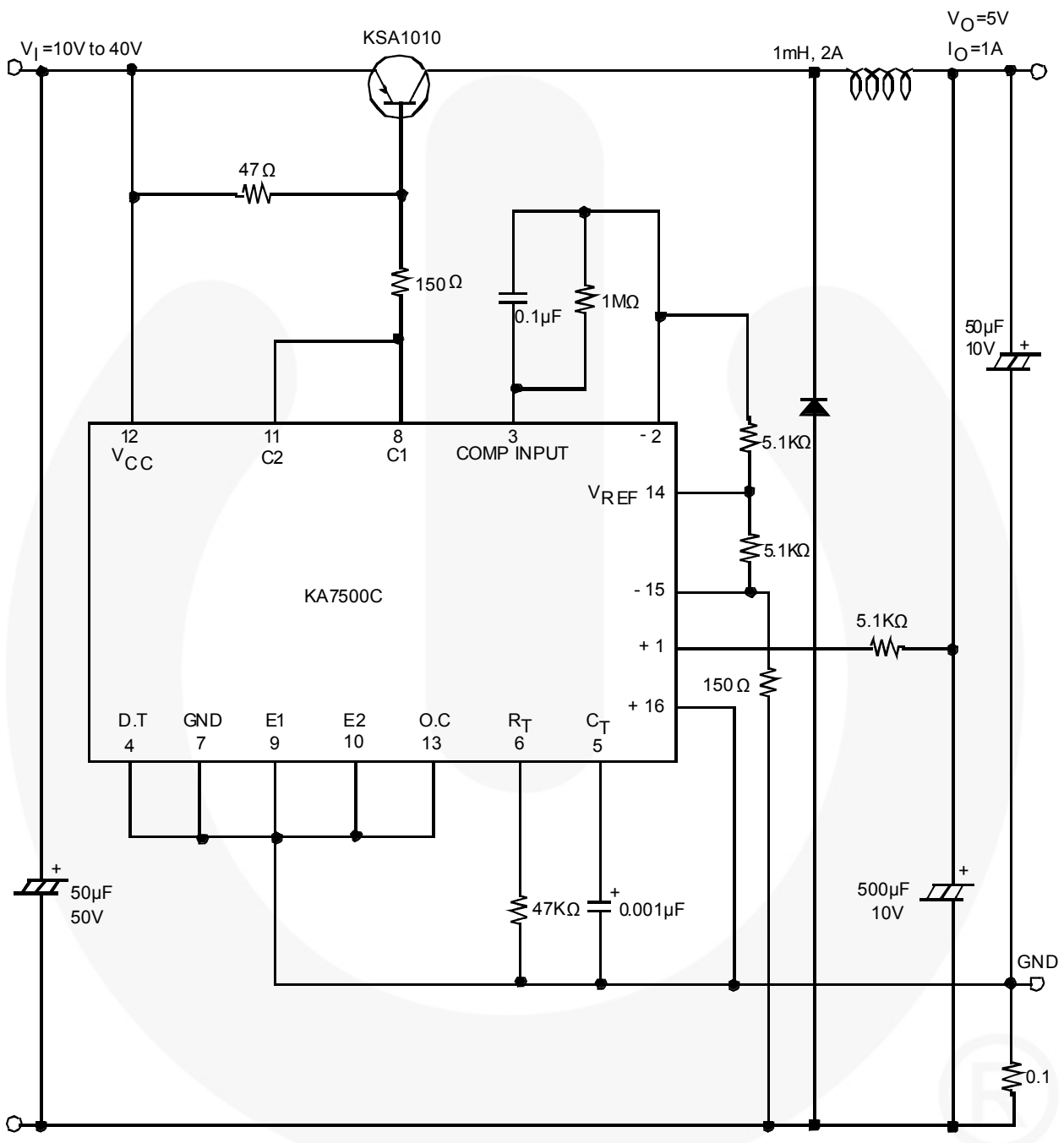


Figure 2. Pulse-Width Modulated Step-Down Converter

## Absolute Maximum Ratings

Stresses exceeding the absolute maximum ratings may damage the device. The device may not function or be operable above the recommended operating conditions and stressing the parts to these levels is not recommended. In addition, extended exposure to stresses above the recommended operating conditions may affect device reliability. The absolute maximum ratings are stress ratings only.

Symbol	Parameter	Min.	Max.	Unit
$V_{CC}$	Supply Voltage		42	V
$V_C$	Collector Supply Voltage		42	V
$I_O$	Output Current		250	mA
$V_{IN}$	Amplifier Input Voltage		$V_{CC} + 0.3$	V
$P_D$	Power Dissipation	KA7500C	1	W
		KA7500CD	0.9	
$T_{OPR}$	Operation Temperature Range	-25	+85	°C
$T_{STG}$	Storage Temperature Rang	-65	+150	°C
$T_J$	Junction Temperature		+125	°C

## Recommended Operating Conditions

The Recommended Operating Conditions table defines the conditions for actual device operation. Recommended operating conditions are specified to ensure optimal performance to the datasheet specifications. Fairchild does not recommend exceeding them or designing to Absolute Maximum Ratings.

Symbol	Parameter	Min.	Typ.	Max.	Unit
$V_{CC}$	Power Supply Voltage	7	15	40	V
$V_{C1}, V_{C2}$	Collector Supply Voltage		30	40	V
$I_{C1}, I_{C2}$	Collector Output Current (Each Transition)			200	mA
$V_{IN}$	Amplifier Input Voltage	0.3		$V_{CC} - 2.0$	V
$I_{FB}$	Current Into Feedback Terminal			0.3	mA
$I_{REF}$	Reference Output Terminal			10	mA
$R_T$	Timing Resistor	1.8	30.0	500.0	K $\Omega$
$C_T$	Timing Capacitor	0.0047	0.0010	10.0000	$\mu$ A
$f_{OSC}$	Oscillator Frequency	1	40	200	kHz
$V_{IN\_PWM}$	PWM Input Voltage (Pins 3, 4, and 13)	0.3		5.3	V

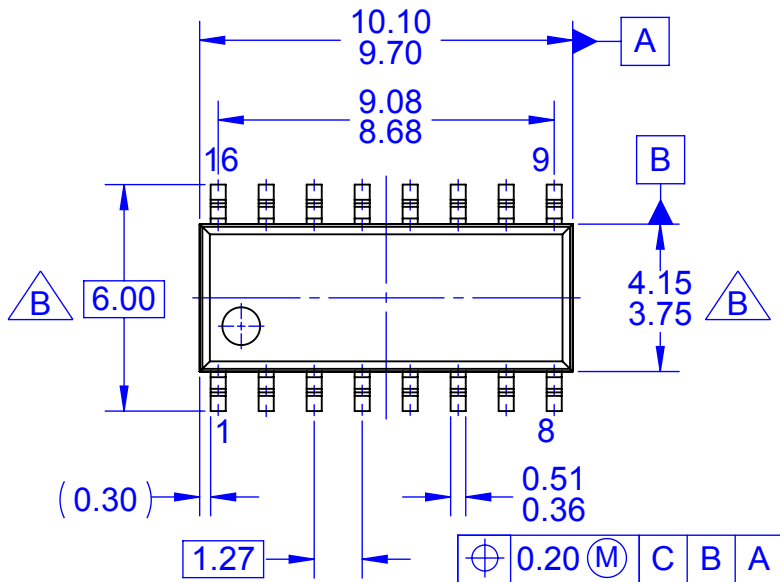
## Electrical Characteristics

$V_{CC} = 20V$ ,  $f = 10kHz$ ,  $T_A = -25^{\circ}C$  to  $+85^{\circ}C$ , unless otherwise specified.

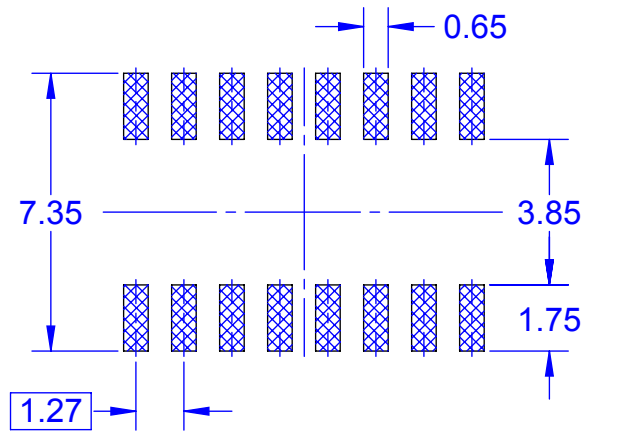
Symbol	Parameter	Conditions	Min.	Typ.	Max.	Units
<b>Reference Section</b>						
$V_{REF}$	Reference Output Voltage	$I_{REF}=1mA$ , $T_A=25^{\circ}C^{(1)}$	4.95	5.00	5.05	V
		$I_{REF}=1mA$	4.90	5.00	5.10	
$R_{LINE}$	Line Regulation	$V_{CC}=7V$ to $40V$		2	25	mV
$R_{LOAD}$	Load Regulation	$I_{REF}=1mA$ to $10mA$		1	15	mV
$I_{SC}$	Short-Circuit Output Current	$V_{REF}=0V$	10	35	50	mA
<b>Oscillation Frequency</b>						
$f_{OSC}$	Oscillation Frequency	$C_T=0.001\mu F$ , $R_T=30K\Omega$		40.0		kHz
		$C_T=0.01\mu F$ , $R_T=12K\Omega$ , $T_A=25^{\circ}C$	9.2	10.0	10.8	
		$C_T=0.01\mu F$ , $R_T=12K\Omega$ , $T_A=T_{LOW}$ to $T_{HIGH}$	9.0		12.0	
$\Delta f/\Delta t$	Frequency Change with Temperature	$C_T=0.01\mu F$ , $R_T=12K\Omega$			2	%
<b>Dead-Time Control Section</b>						
$I_{BIAS}$	Input Bias Current	$V_{CC}=15V$ , $0V \leq V_4 \leq 5.25V$		-2	-10	$\mu A$
$D_{(MAX)}$	Maximum Duty Cycle	$V_{CC}=15V$ , $V_4=0V$ , OC $Pin=V_{REF}$	45			%
$V_{ITH}$	Input Threshold Voltage	Zero Duty Cycle		3.0	3.3	V
		Maximum Duty Cycle	0			
<b>Error Amplifier Section</b>						
$V_{IO}$	Input Offset Voltage	$V_3=2.5V$		2	10	mV
$I_{IO}$	Input Offset Current	$V_3=2.5V$		25	250	mA
$I_{BIAS}$	Input Bias Current	$V_3=2.5V$		0.2	1.0	$\mu A$
$V_{CIM}$	Common Mode Input Voltage	$7V \leq V_{CC} \leq 40V$	-0.3		$V_{CC}$	V
$G_{VO}$	Open-Loop Voltage Gain	$0.5V \leq V_3 \leq 3.5V$	70	95		dB
$B_W$	Unit-Gain Bandwidth			650		kHz
<b>PWM Comparator Section</b>						
$V_{ITH}$	Input Threshold Voltage	Zero Duty Cycle		4.0	4.5	V
$I_{SINK}$	Input Sink Current	$V_3=0.7V$	-0.3	-0.7		mA
<b>Output Section</b>						
$V_{CE(SAT)}$	Output Saturation Voltage Common Emitter	$V_E=0V$ , $I_C=200mA$		1.0	1.3	V
$V_{CC(SAT)}$	Emitter-Follower	$V_C=15V$ , $I_E=-200mA$		1.5	2.5	
$I_{C(OFF)}$	Collector Off-State Current	$V_{CC}=40V$ , $V_{CE}=40V$		2	100	$\mu A$
$I_{E(OFF)}$	Emitter Off-State Current	$V_{CC}=V_C=40V$ , $V_E=40V$			-100	
<b>Total Device</b>						
$I_{CC}$	Supply Current	$Pin6=V_{REF}$ , $V_{CC}=15V$		6	10	mA
<b>Output Switching Characteristics</b>						
$t_R$	Rise Time, Common Emitter, Common Collector			100	200	ns
$t_F$	Fall Time, Common Emitter, Common Collector			25	100	

### Note:

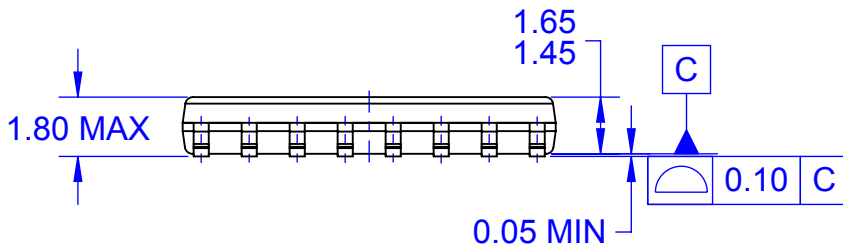
- This is guaranteed where the marking code of the package surface is over 027.



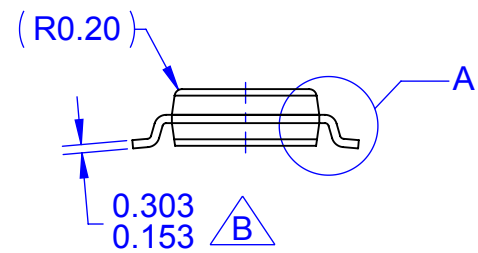
TOP VIEW



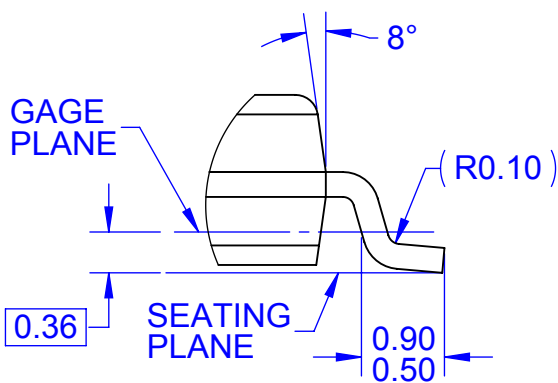
LAND PATTERN RECOMMENDATION



FRONT VIEW



SIDE VIEW



DETAIL A  
SCALE 3:1

NOTES:

A. THIS DRAWING COMPLIES WITH JEDEC MS-012, EXCEPT AS NOTED

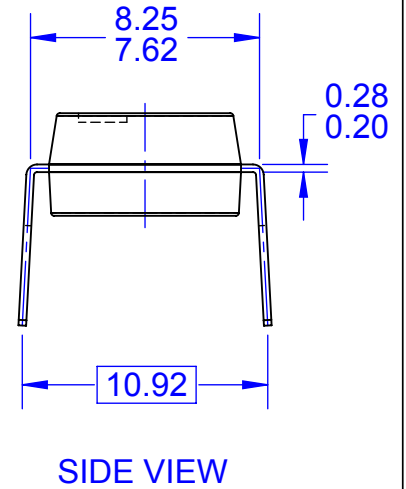
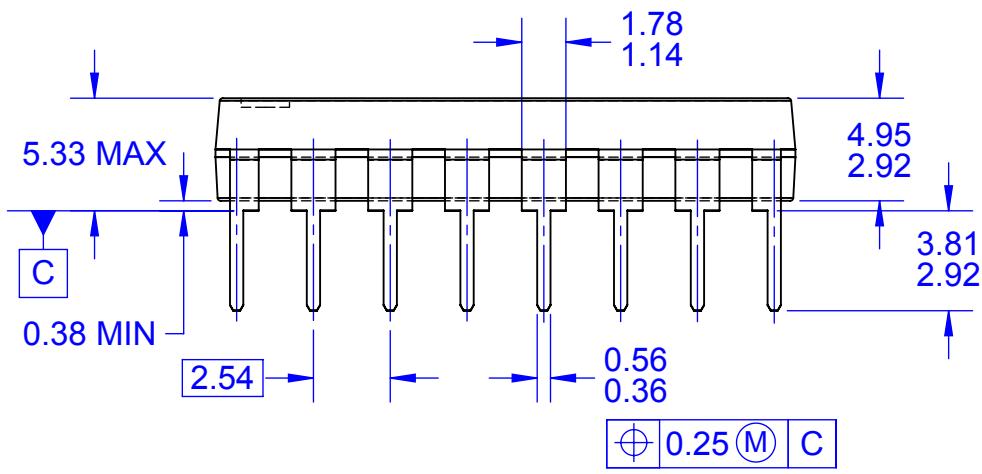
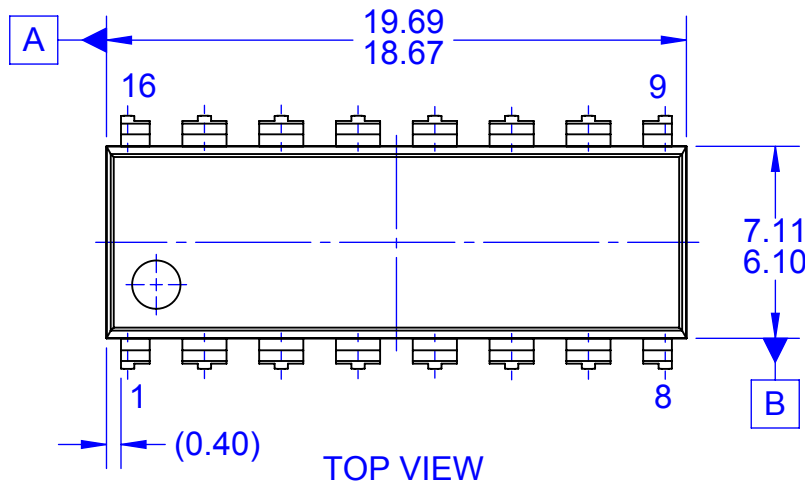
B. THIS DIMENSION IS OUTSIDE JEDEC MS-012 VALUE

C. ALL DIMENSIONS ARE IN MILLIMETERS  
D. DIMENSIONS ARE EXCLUSIVE OF BURRS, MOLD FLASH, AND TIE BAR EXTRUSIONS

E. LAND PATTERN STANDARD:  
SOIC127P600X175-16AM

F. DRAWING FILENAME: MKT-M16Erev2





NOTES:

- A. CONFORMS TO JEDEC MS-001, VARIATION BB
- B. ALL DIMENSIONS ARE IN MILLIMETERS
- C. DIMENSIONS ARE EXCLUSIVE OF BURRS, MOLD FLASH, AND TIE BAR PROTRUSIONS
- D. DIMENSIONS AND TOLERANCES PER ASME Y14.5M-2009
- E. DRAWING FILENAME: MKT-N16Erev3





ON Semiconductor and  are trademarks of Semiconductor Components Industries, LLC dba ON Semiconductor or its subsidiaries in the United States and/or other countries. ON Semiconductor owns the rights to a number of patents, trademarks, copyrights, trade secrets, and other intellectual property. A listing of ON Semiconductor's product/patent coverage may be accessed at [www.onsemi.com/site/pdf/Patent-Marking.pdf](http://www.onsemi.com/site/pdf/Patent-Marking.pdf). ON Semiconductor reserves the right to make changes without further notice to any products herein. ON Semiconductor makes no warranty, representation or guarantee regarding the suitability of its products for any particular purpose, nor does ON Semiconductor assume any liability arising out of the application or use of any product or circuit, and specifically disclaims any and all liability, including without limitation special, consequential or incidental damages. Buyer is responsible for its products and applications using ON Semiconductor products, including compliance with all laws, regulations and safety requirements or standards, regardless of any support or applications information provided by ON Semiconductor. "Typical" parameters which may be provided in ON Semiconductor data sheets and/or specifications can and do vary in different applications and actual performance may vary over time. All operating parameters, including "Typicals" must be validated for each customer application by customer's technical experts. ON Semiconductor does not convey any license under its patent rights nor the rights of others. ON Semiconductor products are not designed, intended, or authorized for use as a critical component in life support systems or any FDA Class 3 medical devices or medical devices with a same or similar classification in a foreign jurisdiction or any devices intended for implantation in the human body. Should Buyer purchase or use ON Semiconductor products for any such unintended or unauthorized application, Buyer shall indemnify and hold ON Semiconductor and its officers, employees, subsidiaries, affiliates, and distributors harmless against all claims, costs, damages, and expenses, and reasonable attorney fees arising out of, directly or indirectly, any claim of personal injury or death associated with such unintended or unauthorized use, even if such claim alleges that ON Semiconductor was negligent regarding the design or manufacture of the part. ON Semiconductor is an Equal Opportunity/Affirmative Action Employer. This literature is subject to all applicable copyright laws and is not for resale in any manner.

## PUBLICATION ORDERING INFORMATION

### LITERATURE FULFILLMENT:

Literature Distribution Center for ON Semiconductor  
19521 E. 32nd Pkwy, Aurora, Colorado 80011 USA  
**Phone:** 303-675-2175 or 800-344-3860 Toll Free USA/Canada  
**Fax:** 303-675-2176 or 800-344-3867 Toll Free USA/Canada  
**Email:** [orderlit@onsemi.com](mailto:orderlit@onsemi.com)

**N. American Technical Support:** 800-282-9855 Toll Free  
USA/Canada  
**Europe, Middle East and Africa Technical Support:**  
Phone: 421 33 790 2910  
**Japan Customer Focus Center**  
Phone: 81-3-5817-1050

**ON Semiconductor Website:** [www.onsemi.com](http://www.onsemi.com)  
**Order Literature:** <http://www.onsemi.com/orderlit>  
For additional information, please contact your local  
Sales Representative