

NCS2632DTBGEVB

NCS2632 Evaluation Board User's Manual



ON Semiconductor®

<http://onsemi.com>

EVAL BOARD USER'S MANUAL

Introduction

This document gives a description of the NCS2632 evaluation board with the bill of materials (BOM), board schematic, and evaluation setup. The NCS2632 evaluation board has been designed to help for a quick evaluation of the NCS2632 audio line driver performance.

This document is to be used with the NCS2632 data sheet. The data sheet contains full technical details regarding the NCS2632 specifications and operation.

The board is implemented in 2 metal layers. The layers have thicknesses of 35 μm (1 oz). The PCB thickness is 1.6 mm (63 mils) with dimensions of 115 \times 100 mm (4.5" \times 3.9", respectively).

Documents of Reference

- [NCS2632/D](#) Data Sheet

Basic Equipment

- DC Power Supply
- Multimeter
- Waveform Generator
- Oscilloscope

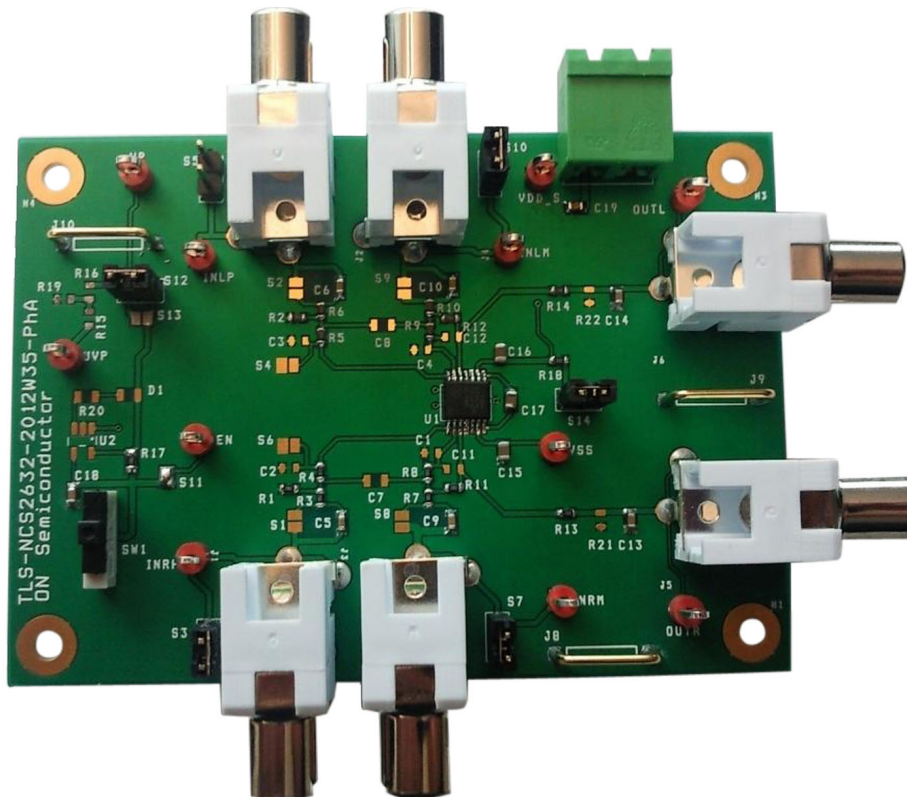


Figure 1. NCS2632 Evaluation Board

NCS2632DTBGEVB

EVALUATION BOARD OVERVIEW

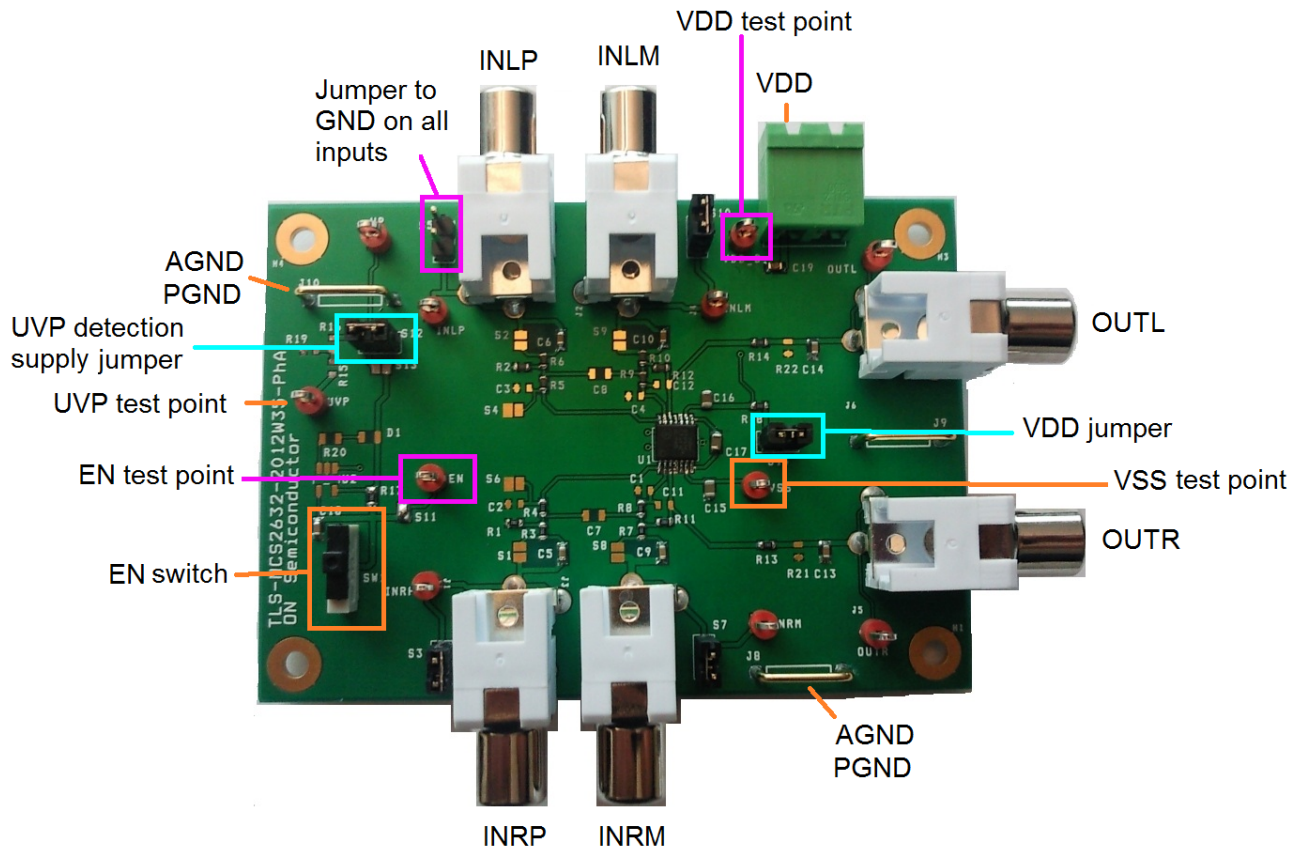


Figure 2. NCS2632 Evaluation Board Overview

NCS2632DTBGEVB

QUICK START PROCEDURE WITH DIFFERENTIAL SETUP

By default, each channel is set up in a differential configuration with a gain of 2 V/V. Follow this procedure to quickly get familiar with the evaluation board features.

1. Make sure that the VDD jumper and UVP detection supply jumper are in place. Remove all input jumpers to ground. Table 1 summarizes the position of each switch and jumper.
2. Connect a 3.3 V supply between the VDD pin and GND.
3. Set the EN switch to high to enable the IC. Check the supply current. Verify that EN is high with a multimeter, if necessary.

4. Use the voltmeter to measure the VSS pin. It should measure near $-VDD$.
5. Apply a sine wave ($f = 1 \text{ kHz}$, 1 V_{pp}) across INLP and INLM. Observe the waveform at OUTL.
6. Apply a sine wave ($f = 1 \text{ kHz}$, 1 V_{pp}) across INRP and INRM. Observe the waveform at OTR.

For more information and circuit examples refer to the Application Information section in the [data sheet](#).

Table 1. DEFAULT EVB CONFIGURATION – DIFFERENTIAL INPUT

Description	Designator	Pin	State
Input-to-ground Jumper	S3	INRP	Open
	S5	INLP	Open
	S7	INRM	Open
	S10	INLM	Open
Supply Voltage Jumper	S14	VDD	Closed
UVP Detection Circuit Supply Jumper	S12/S13	UVP	Closed
Enable Switch	SW1	EN	High

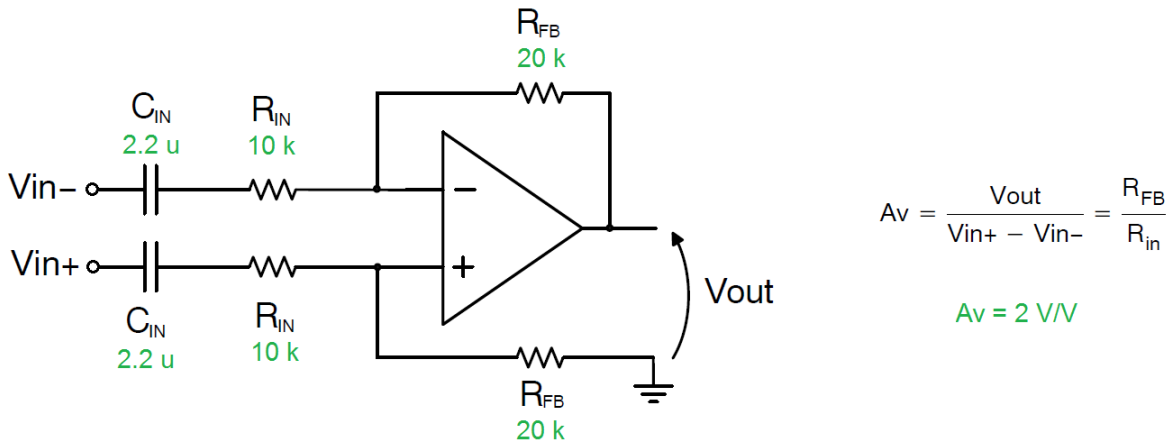


Figure 3. Default Evaluation Board Schematic – Differential Input

NCS2632DTBGEVB

EVALUATION BOARD SCHEMATIC

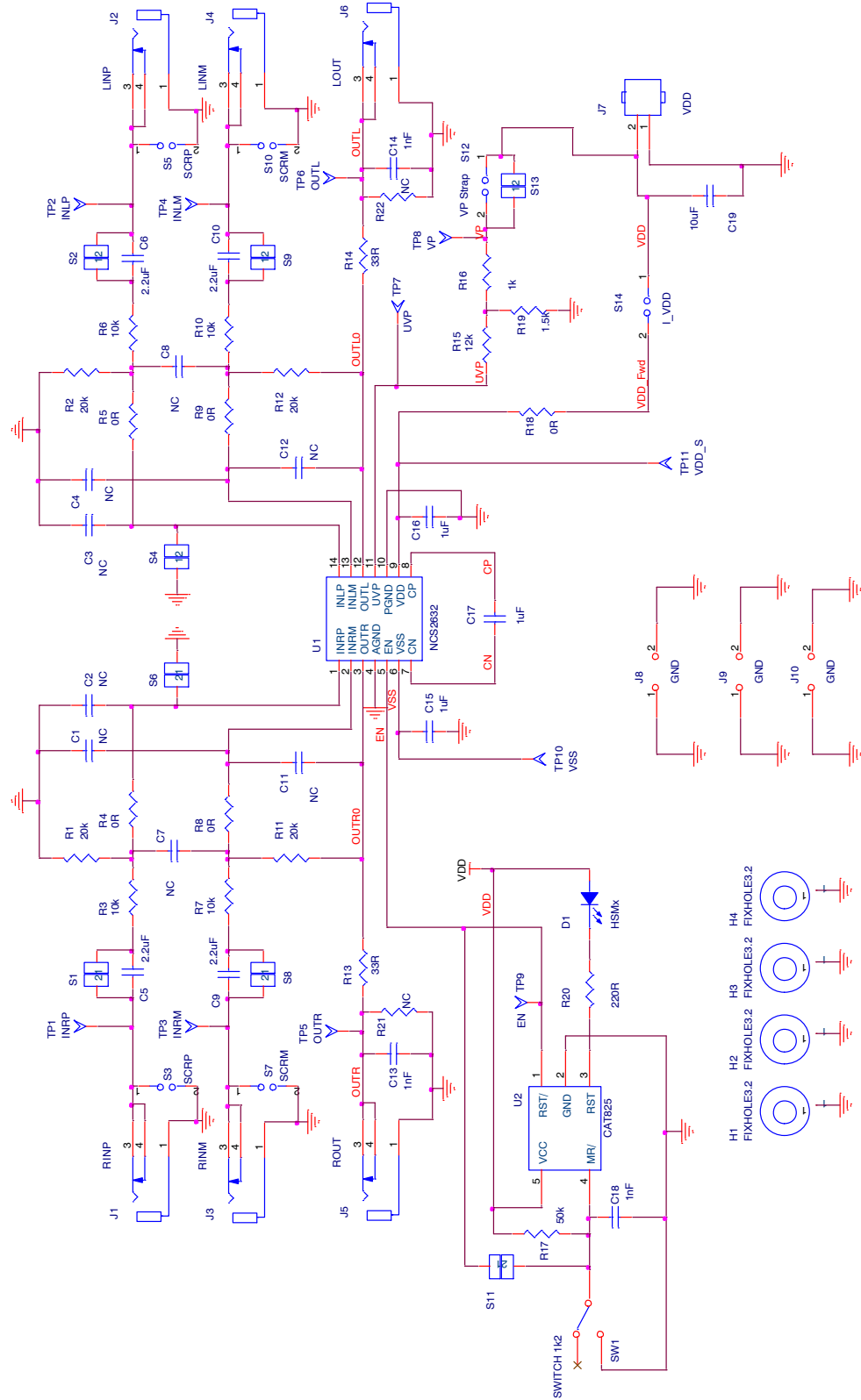


Figure 4. NCS2632 Evaluation Board Schematic

NCS2632DTBGEVB

EVALUATION BOARD LAYOUT

The evaluation board uses two copper layers for the top and bottom traces. The top layer is shown in blue while the bottom layer is shown in green.

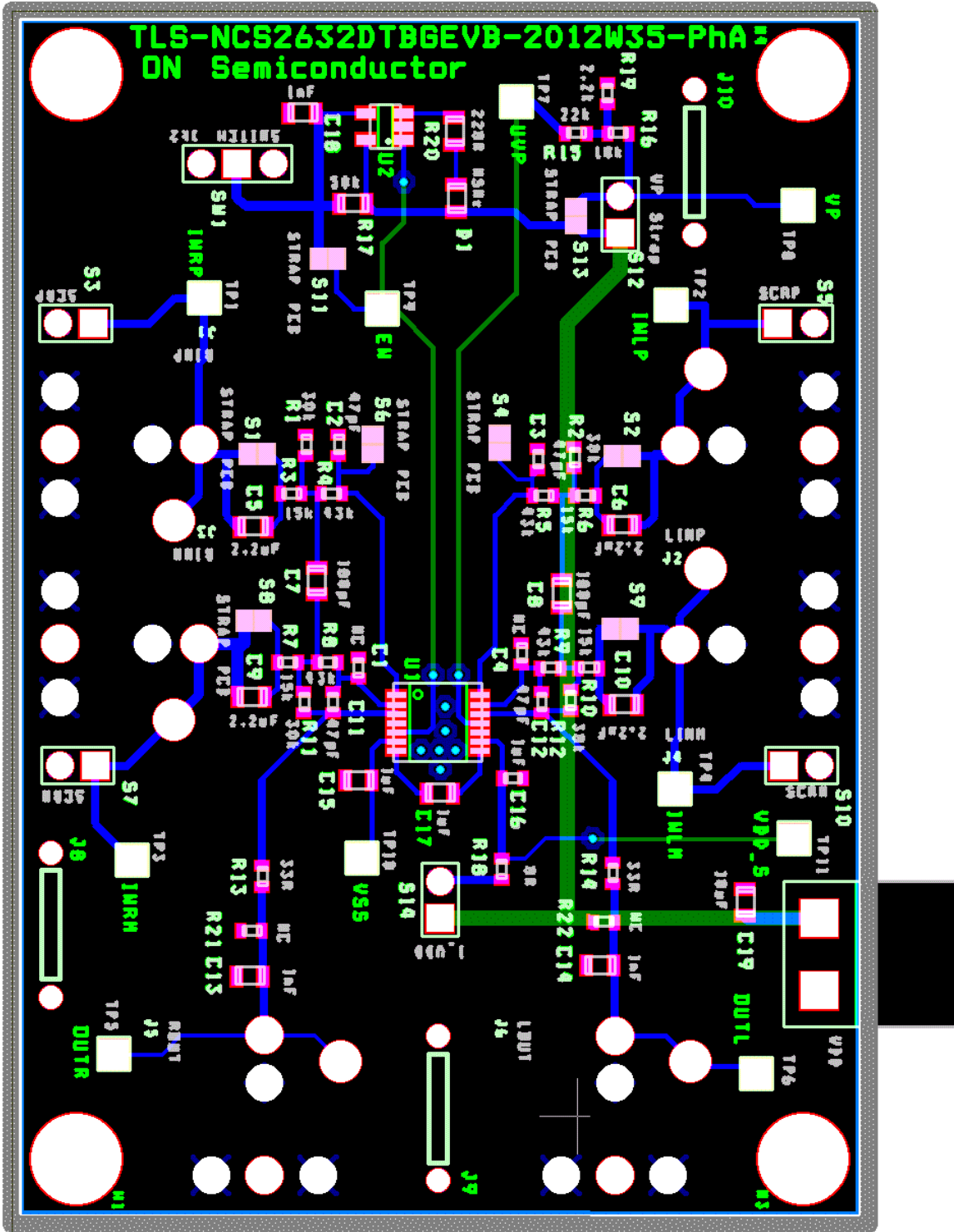


Figure 5. NCS2632 Evaluation Board Layout

NCS2632DTBGEVB

Table 2. EVALUATION BOARD BILL OF MATERIALS

Designator	Qty.	Description	Value	Tolerance	Footprint	Manufacturer	Manufacturer Part Number
C1, C2, C3, C4, C7, C8, C11, C12	-	Do Not Assemble	-	-	-	-	-
C5, C6, C9, C10	4	Surface Mount Capacitor	2.2 μ F	10 V	0805	TDK Corporation	C2012X5R1A225M085AA
C13, C14, C18	3	Surface Mount Capacitor	1 nF	10 V	0805	Kemet	C0805C102J4GACTU
C15, C16, C17	3	Surface Mount Capacitor	1 μ F	10 V	0603	TDK Corporation	C1608X5R1A105K080AC
C19	1	Surface Mount Capacitor	10 μ F	10 V	0805	TDK Corporation	C2012X5R1A106M125AB
D1	1	Do Not Assemble	-	-	-	-	-
J1, J2, J3, J4, J5, J6	6	RCA Phono Jack Connector	-	-	RCA PHONO JACK	Keystone Electronics	972
J7	1	2-pin Header, 5.08MM, Right Angle	-	-	SL5.08/2/90	Weidmuller	1512660000
J8, J9, J10	3	Uninsulated Shorting Plug, 1 mm	-	-	GND_STRP	Harwin Inc	D3082-05
R1, R2, R11, R12	4	Surface Mount Resistor	20 k Ω	5%	0603	Panasonic Electronic Components	ERJ-3EKF2002V
R3, R6, R7, R10	4	Surface Mount Resistor	10 k Ω	5%	0603	TE Connectivity	1622829-1
R4, R5, R8, R9, R18	5	Surface Mount Resistor	0R	-	0603	ANY	ANY
R13, R14	2	Surface Mount Resistor	33R	5%	0603	Panasonic Electronic Components	ERJ-3EKF33R0V
R15	1	Surface Mount Resistor	12 k Ω	5%	0603	Panasonic Electronic Components	ERJ-3GEYJ123V
R16	1	Surface Mount Resistor	1 k Ω	5%	0603	Panasonic Electronic Components	ERJ-3GEYJ102V
R17	1	Surface Mount Resistor	49.9 k Ω	5%	0805	Stackpole Electronics, Inc.	RNCP0805FTD49K9
R19	1	Surface Mount Resistor	1.5 k Ω	5%	0603	Panasonic Electronic Components	ERJ-3GEYJ152V
R20, R21, R22	-	Do Not Assemble	-	-	-	-	-
SW1	1	EAO SPDT Switch			EAO Switch	EAO	09.03290.01
S1, S2, S4, S6, S8, S9	-	Do Not Assemble	-	-	-	-	-
S11, S13	2	Solder Connection	-	-	-	-	-
S3, S5, S7, S10, S12, S14	6	2-pin Header, Breakaway	-	-	Header 2 100	TE Connectivity	5-826629-0
TP1 to TP11	11	Test Point Connector	-	-	-	Keystone Electronics	5010
U1	1	NCS2632 Audio Driver	-	-	TSSOP14	ON Semiconductor	NCS2632DTBR2G
U2	-	Do Not Assemble	-	-	-	-	-

onsemi, **Onsemi**, and other names, marks, and brands are registered and/or common law trademarks of Semiconductor Components Industries, LLC dba "**onsemi**" or its affiliates and/or subsidiaries in the United States and/or other countries. **onsemi** owns the rights to a number of patents, trademarks, copyrights, trade secrets, and other intellectual property. A listing of **onsemi**'s product/patent coverage may be accessed at www.onsemi.com/site/pdf/Patent-Marking.pdf. **onsemi** is an Equal Opportunity/Affirmative Action Employer. This literature is subject to all applicable copyright laws and is not for resale in any manner.

The evaluation board/kit (research and development board/kit) (hereinafter the "board") is not a finished product and is not available for sale to consumers. The board is only intended for research, development, demonstration and evaluation purposes and will only be used in laboratory/development areas by persons with an engineering/technical training and familiar with the risks associated with handling electrical/mechanical components, systems and subsystems. This person assumes full responsibility/liability for proper and safe handling. Any other use, resale or redistribution for any other purpose is strictly prohibited.

THE BOARD IS PROVIDED BY ONSEMI TO YOU "AS IS" AND WITHOUT ANY REPRESENTATIONS OR WARRANTIES WHATSOEVER. WITHOUT LIMITING THE FOREGOING, ONSEMI (AND ITS LICENSORS/SUPPLIERS) HEREBY DISCLAIMS ANY AND ALL REPRESENTATIONS AND WARRANTIES IN RELATION TO THE BOARD, ANY MODIFICATIONS, OR THIS AGREEMENT, WHETHER EXPRESS, IMPLIED, STATUTORY OR OTHERWISE, INCLUDING WITHOUT LIMITATION ANY AND ALL REPRESENTATIONS AND WARRANTIES OF MERCHANTABILITY, FITNESS FOR A PARTICULAR PURPOSE, TITLE, NON-INFRINGEMENT, AND THOSE ARISING FROM A COURSE OF DEALING, TRADE USAGE, TRADE CUSTOM OR TRADE PRACTICE.

onsemi reserves the right to make changes without further notice to any board.

You are responsible for determining whether the board will be suitable for your intended use or application or will achieve your intended results. Prior to using or distributing any systems that have been evaluated, designed or tested using the board, you agree to test and validate your design to confirm the functionality for your application. Any technical, applications or design information or advice, quality characterization, reliability data or other services provided by **onsemi** shall not constitute any representation or warranty by **onsemi**, and no additional obligations or liabilities shall arise from **onsemi** having provided such information or services.

onsemi products including the boards are not designed, intended, or authorized for use in life support systems, or any FDA Class 3 medical devices or medical devices with a similar or equivalent classification in a foreign jurisdiction, or any devices intended for implantation in the human body. You agree to indemnify, defend and hold harmless **onsemi**, its directors, officers, employees, representatives, agents, subsidiaries, affiliates, distributors, and assigns, against any and all liabilities, losses, costs, damages, judgments, and expenses, arising out of any claim, demand, investigation, lawsuit, regulatory action or cause of action arising out of or associated with any unauthorized use, even if such claim alleges that **onsemi** was negligent regarding the design or manufacture of any products and/or the board.

This evaluation board/kit does not fall within the scope of the European Union directives regarding electromagnetic compatibility, restricted substances (RoHS), recycling (WEEE), FCC, CE or UL, and may not meet the technical requirements of these or other related directives.

FCC WARNING – This evaluation board/kit is intended for use for engineering development, demonstration, or evaluation purposes only and is not considered by **onsemi** to be a finished end product fit for general consumer use. It may generate, use, or radiate radio frequency energy and has not been tested for compliance with the limits of computing devices pursuant to part 15 of FCC rules, which are designed to provide reasonable protection against radio frequency interference. Operation of this equipment may cause interference with radio communications, in which case the user shall be responsible, at its expense, to take whatever measures may be required to correct this interference.

onsemi does not convey any license under its patent rights nor the rights of others.

LIMITATIONS OF LIABILITY: **onsemi** shall not be liable for any special, consequential, incidental, indirect or punitive damages, including, but not limited to the costs of requalification, delay, loss of profits or goodwill, arising out of or in connection with the board, even if **onsemi** is advised of the possibility of such damages. In no event shall **onsemi**'s aggregate liability from any obligation arising out of or in connection with the board, under any theory of liability, exceed the purchase price paid for the board, if any.

The board is provided to you subject to the license and other terms per **onsemi**'s standard terms and conditions of sale. For more information and documentation, please visit www.onsemi.com.

ADDITIONAL INFORMATION

TECHNICAL PUBLICATIONS:

Technical Library: www.onsemi.com/design/resources/technical-documentation
onsemi Website: www.onsemi.com

ONLINE SUPPORT: www.onsemi.com/support

For additional information, please contact your local Sales Representative at www.onsemi.com/support/sales