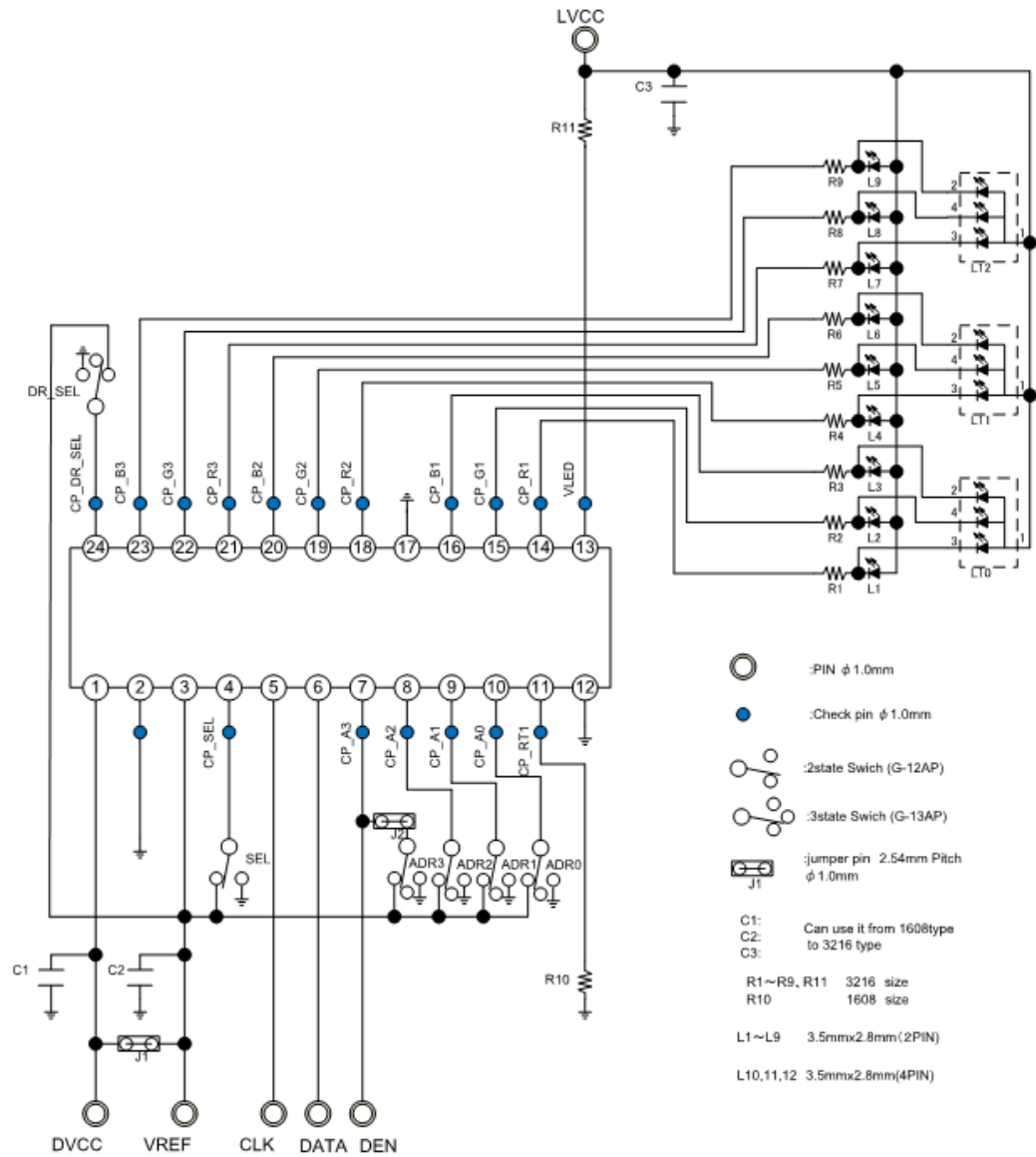


# AX71552JAZ (DB71552JAZ) evaluation Board (Socket type)(mount type)



- :PIN φ 1.0mm
- :Check pin φ 1.0mm
- :2state Switch (G-12AP)
- :3state Swich (G-13AP)
- :jumper pin 2.54mm Pitch φ 1.0mm
- C1: Can use it from 1608type to 3216 type
- C2: Can use it from 1608type to 3216 type
- C3: Can use it from 1608type to 3216 type
- R1~R9, R11 3216 size
- R10 1608 size
- L1~L9 3.5mmx2.8mm(2PIN)
- L10,11,12 3.5mmx2.8mm(4PIN)