

ON Semiconductor

Is Now

onsemi™

To learn more about onsemi™, please visit our website at
www.onsemi.com

onsemi and **onsemi** and other names, marks, and brands are registered and/or common law trademarks of Semiconductor Components Industries, LLC dba "**onsemi**" or its affiliates and/or subsidiaries in the United States and/or other countries. **onsemi** owns the rights to a number of patents, trademarks, copyrights, trade secrets, and other intellectual property. A listing of **onsemi** product/patent coverage may be accessed at www.onsemi.com/site/pdf/Patent-Marking.pdf. **onsemi** reserves the right to make changes at any time to any products or information herein, without notice. The information herein is provided "as-is" and **onsemi** makes no warranty, representation or guarantee regarding the accuracy of the information, product features, availability, functionality, or suitability of its products for any particular purpose, nor does **onsemi** assume any liability arising out of the application or use of any product or circuit, and specifically disclaims any and all liability, including without limitation special, consequential or incidental damages. Buyer is responsible for its products and applications using **onsemi** products, including compliance with all laws, regulations and safety requirements or standards, regardless of any support or applications information provided by **onsemi**. "Typical" parameters which may be provided in **onsemi** data sheets and/or specifications can and do vary in different applications and actual performance may vary over time. All operating parameters, including "Typicals" must be validated for each customer application by customer's technical experts. **onsemi** does not convey any license under any of its intellectual property rights nor the rights of others. **onsemi** products are not designed, intended, or authorized for use as a critical component in life support systems or any FDA Class 3 medical devices or medical devices with a same or similar classification in a foreign jurisdiction or any devices intended for implantation in the human body. Should Buyer purchase or use **onsemi** products for any such unintended or unauthorized application, Buyer shall indemnify and hold **onsemi** and its officers, employees, subsidiaries, affiliates, and distributors harmless against all claims, costs, damages, and expenses, and reasonable attorney fees arising out of, directly or indirectly, any claim of personal injury or death associated with such unintended or unauthorized use, even if such claim alleges that **onsemi** was negligent regarding the design or manufacture of the part. **onsemi** is an Equal Opportunity/Affirmative Action Employer. This literature is subject to all applicable copyright laws and is not for resale in any manner. Other names and brands may be claimed as the property of others.



ON Semiconductor[®]
Xenon Flash Light
IGBT Application Note

Hyper Device Division

March. 2013

Agenda

- 1. Operating Precautions**
- 2. Recommended Circuit Example**



Agenda

1. Operating Precautions

2. Recommended Circuit Example



Operating Precautions

Please note the followings when you use the devices because flash IGBTs handle high current.

Please evaluate the following points when designing.

- a. ICP precautions
- b. dv/dt precautions
- c. dv/dt adjustments
- d. Wiring precautions

a. ICP precautions

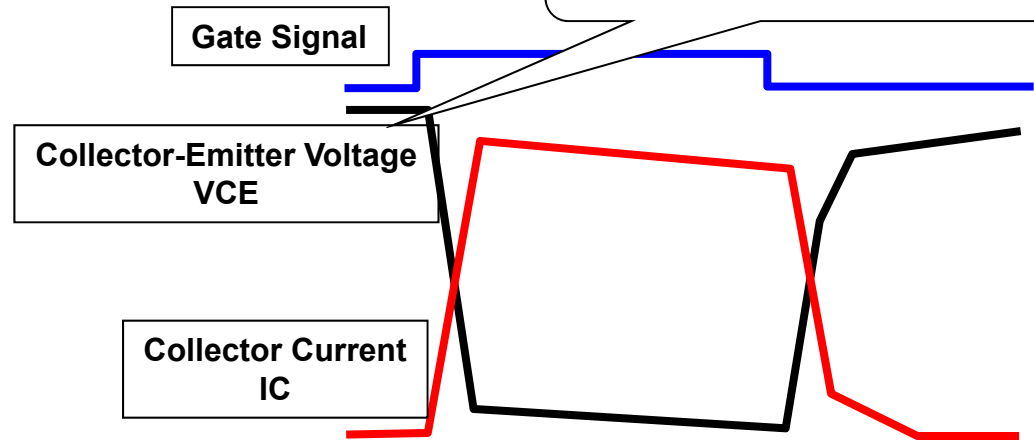
The ICP, collector current peak is restricted by VGE, gate-emitter voltage.

Please use the device within the ICP-VGE safe operation area described in each product's specification.

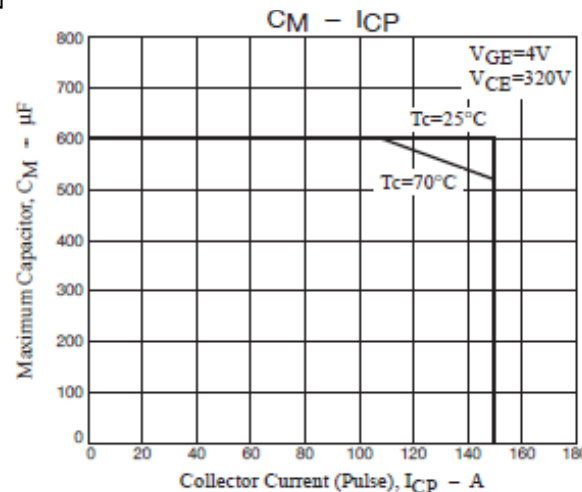
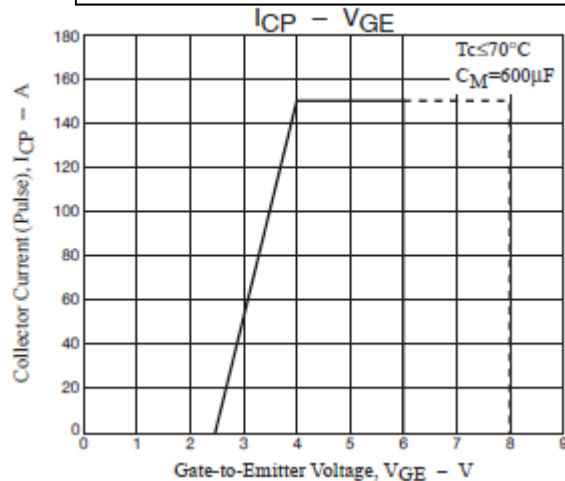
Please note that the ICP is also restricted by the main condenser capacity.

Operating waveform

Collector Current Peak ICP



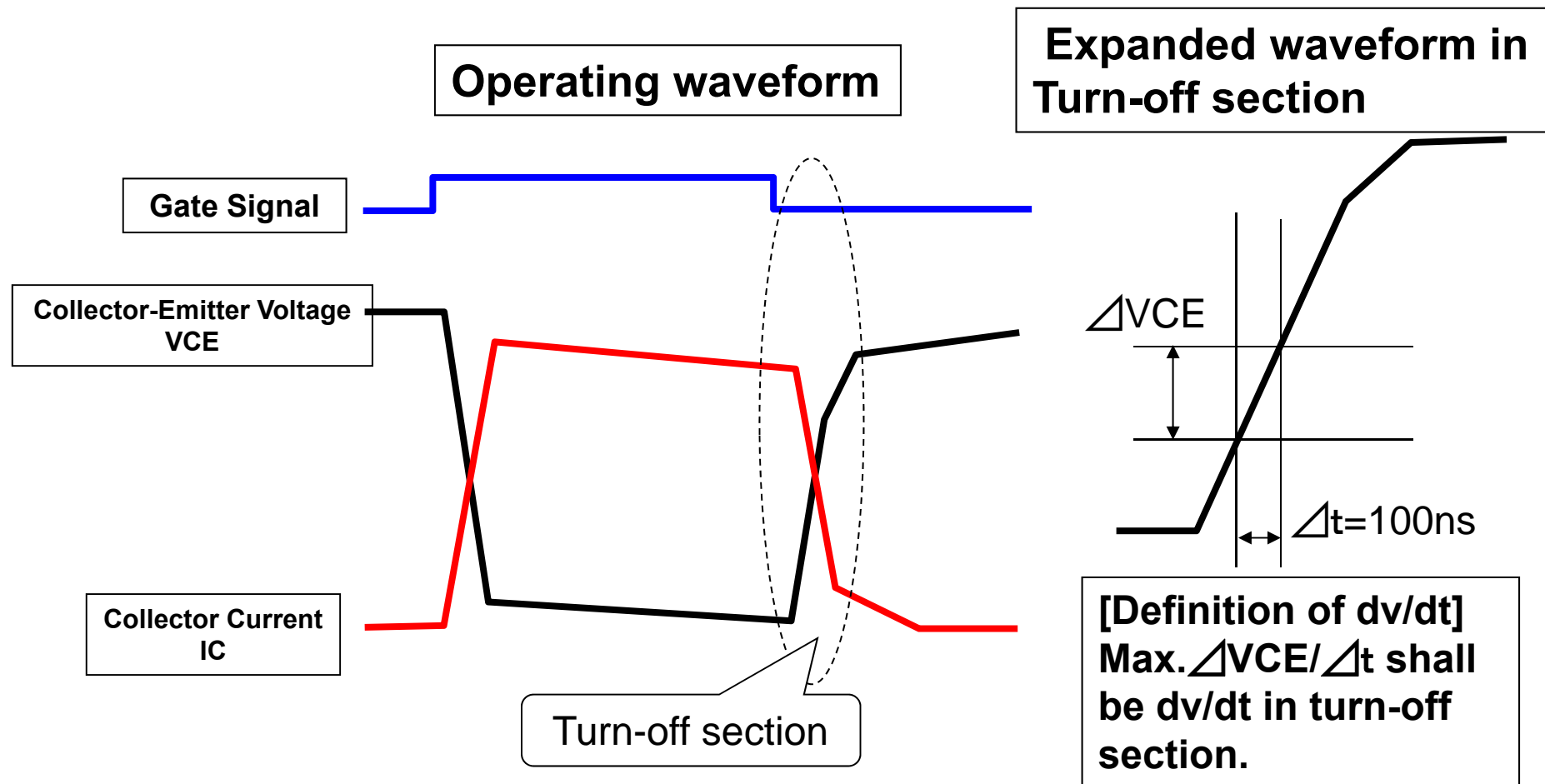
Example: TIG067SS's ASO



※Left chart shows the ASO for single-shot pulse. Considering heat generation, please use the device with channel temperature $T_{ch} \leq 150^{\circ}\text{C}$ in continuous operating

b. dv/dt precautions

Please use the device with **1500V/μs or less** of dv/dt , inclination of collector-emitter voltage in turn-off section. Using with $dv/dt > 1500V/\mu s$ is not guaranteed.

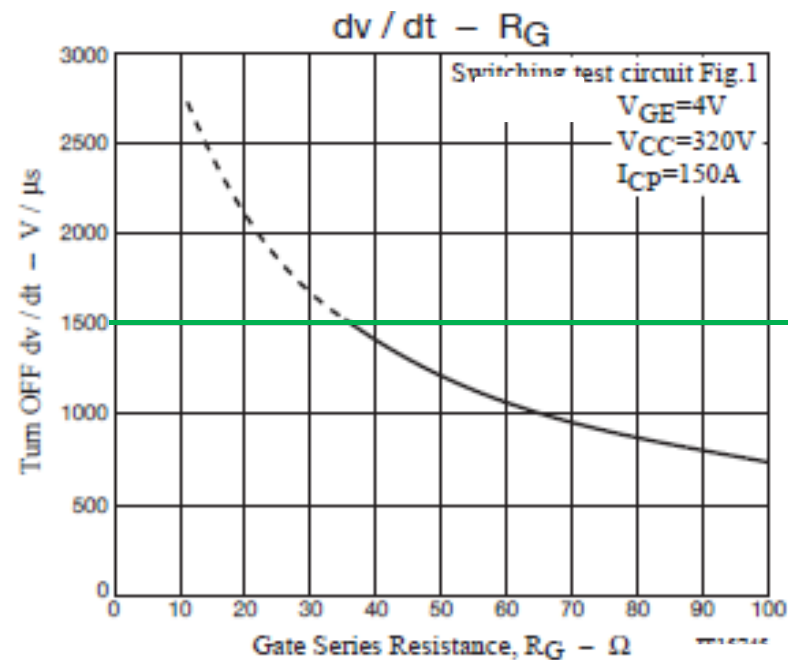


c. dv/dt adjustments

Please adjust the gate series resistance R_G to keep dv/dt to 1500V/ μ s or less. There is no restriction for R_G .

Though the dv/dt- R_G dependency differs according to the mount conditions, for your reference, we provide the dv/dt- R_G dependency graphs in each product's specification.

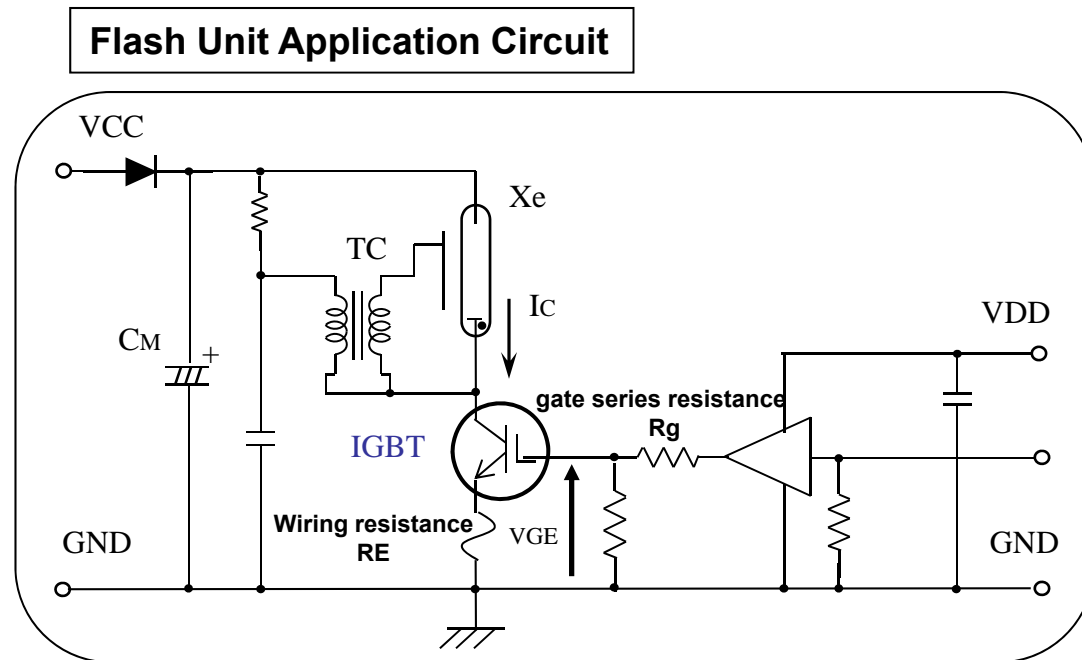
Example : TIG067SS's dv/dt- R_G dependency graph



d. Wiring precautions

If the wiring resistance between IGBT's emitter terminal and GND is high, there will be rise in emitter terminal potential and lack in actual gate voltage during high current operation.

This may cause the breakdown of IGBT.



Gate Voltage during high current operation will be:
 $V_{GE} - I_C \times R_E$

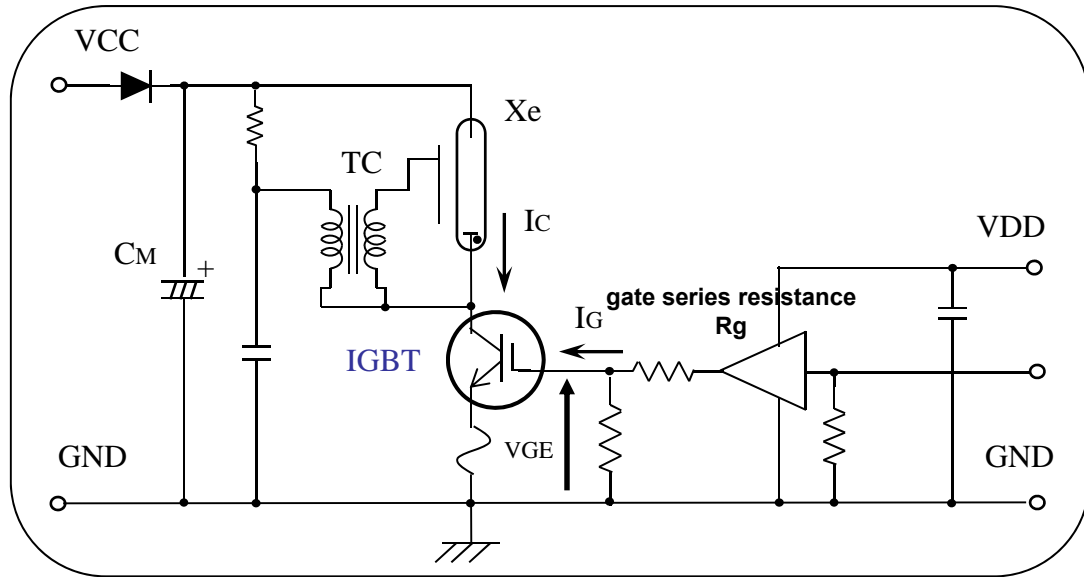
Agenda

1. Operating Precautions

2. Recommended Circuit Example



Recommended Circuit Example



① High current path should be thick and short

② Keep low impedance between IGBT-GND (3mΩ or less is recommended)

③ Place IGBT & driver near by

