

ON Semiconductor

Is Now

onsemi™

To learn more about onsemi™, please visit our website at
www.onsemi.com

onsemi and **onsemi** and other names, marks, and brands are registered and/or common law trademarks of Semiconductor Components Industries, LLC dba "**onsemi**" or its affiliates and/or subsidiaries in the United States and/or other countries. **onsemi** owns the rights to a number of patents, trademarks, copyrights, trade secrets, and other intellectual property. A listing of **onsemi** product/patent coverage may be accessed at www.onsemi.com/site/pdf/Patent-Marking.pdf. **onsemi** reserves the right to make changes at any time to any products or information herein, without notice. The information herein is provided "as-is" and **onsemi** makes no warranty, representation or guarantee regarding the accuracy of the information, product features, availability, functionality, or suitability of its products for any particular purpose, nor does **onsemi** assume any liability arising out of the application or use of any product or circuit, and specifically disclaims any and all liability, including without limitation special, consequential or incidental damages. Buyer is responsible for its products and applications using **onsemi** products, including compliance with all laws, regulations and safety requirements or standards, regardless of any support or applications information provided by **onsemi**. "Typical" parameters which may be provided in **onsemi** data sheets and/or specifications can and do vary in different applications and actual performance may vary over time. All operating parameters, including "Typicals" must be validated for each customer application by customer's technical experts. **onsemi** does not convey any license under any of its intellectual property rights nor the rights of others. **onsemi** products are not designed, intended, or authorized for use as a critical component in life support systems or any FDA Class 3 medical devices or medical devices with a same or similar classification in a foreign jurisdiction or any devices intended for implantation in the human body. Should Buyer purchase or use **onsemi** products for any such unintended or unauthorized application, Buyer shall indemnify and hold **onsemi** and its officers, employees, subsidiaries, affiliates, and distributors harmless against all claims, costs, damages, and expenses, and reasonable attorney fees arising out of, directly or indirectly, any claim of personal injury or death associated with such unintended or unauthorized use, even if such claim alleges that **onsemi** was negligent regarding the design or manufacture of the part. **onsemi** is an Equal Opportunity/Affirmative Action Employer. This literature is subject to all applicable copyright laws and is not for resale in any manner. Other names and brands may be claimed as the property of others.



CAT32 White LED Driver Efficiency and Inductor Value Tradeoffs

Prepared by: Fabien Franc,
Applications Manager
ON Semiconductor

APPLICATION NOTE

This application brief shows the effect of the inductor value on efficiency when the CAT32 is used as a White LED driver. In addition, it shows the output voltage V_{OUT} and the switch SW pin waveforms and describes how efficiency is defined and measured.

The inductors used are 3.3 μH and 6.8 μH from Panasonic, ELJEA (type 1210). The setup uses the ON Semiconductor CAT32EVAL1 evaluation board. The four white LEDs are from Nichia, NSCW100.

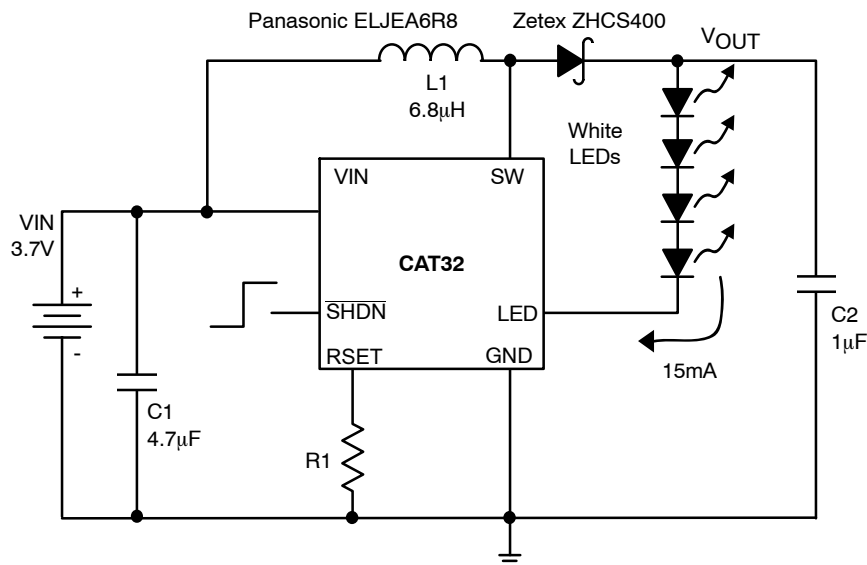


Figure 1. Test Setup with CAT32 driving 4 LEDs

Efficiency

The CAT32 efficiency is defined as the ratio of the power dissipated through the LEDs (not including the loss in the Schottky diode) to the power from the input supply:

$$\text{Efficiency} = P_{LED}/P_{IN} = (V_{OUT} - V_{LED}) \times I_{LED}/(V_{IN} \times I_{IN})$$

The efficiency is measured for an input supply of 3.7 V. The efficiency for LED current between 15 mA and 20 mA is as follows:

– for $L = 6.8 \mu\text{H}$, the efficiency is 82%

– for $L = 3.3 \mu\text{H}$, the efficiency is 78%

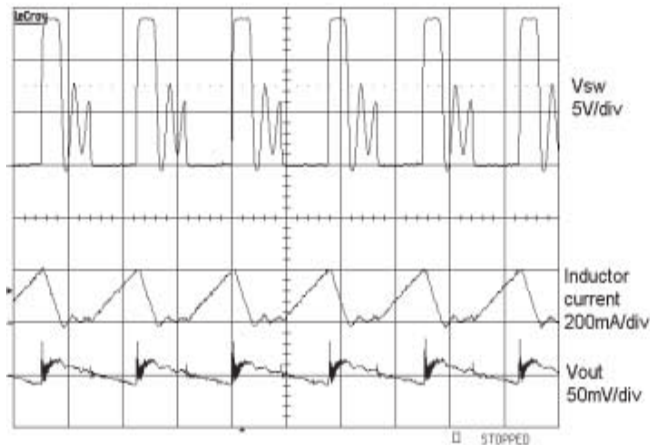
A 4% improvement in efficiency is gained with the larger inductor value. This is true for a given setup and for this specific type of inductor.

AND8423/D

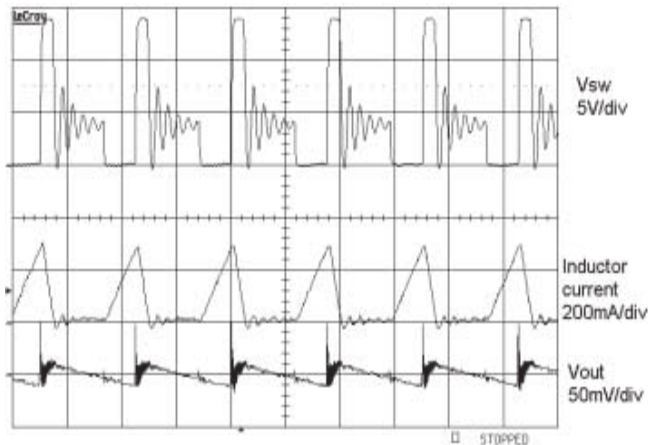
Signal Waveforms

The signal waveforms below show the switch pin voltage (V_{sw}), the inductor current (I_L), and the output voltage (V_{OUT}). The measurement is done for a 3.7 V supply and for a 15 mA LED current flowing through the 4 LEDs.

V_{sw} , I_L , V_{OUT} with $L = 6.8 \mu\text{H}$



V_{sw} , I_L , V_{OUT} with $L = 3.3 \mu\text{H}$




For the smaller inductor value of 3.3 μH:

- The switching noise on V_{OUT} is greater
- The charging and discharging time are shorter
- The peak inductor current is greater
- The ringing frequency on SW is higher (when there is no current in the inductor)

In summary, reducing the inductor value has some impact on the overall power efficiency, the inductor peak current, the switching noise and the ringing.

Information on Nichia and their LEDs can be found at:

www.nichia.com.

ON Semiconductor and  are registered trademarks of Semiconductor Components Industries, LLC (SCILLC). SCILLC reserves the right to make changes without further notice to any products herein. SCILLC makes no warranty, representation or guarantee regarding the suitability of its products for any particular purpose, nor does SCILLC assume any liability arising out of the application or use of any product or circuit, and specifically disclaims any and all liability, including without limitation special, consequential or incidental damages. "Typical" parameters which may be provided in SCILLC data sheets and/or specifications can and do vary in different applications and actual performance may vary over time. All operating parameters, including "Typicals" must be validated for each customer application by customer's technical experts. SCILLC does not convey any license under its patent rights nor the rights of others. SCILLC products are not designed, intended, or authorized for use as components in systems intended for surgical implant into the body, or other applications intended to support or sustain life, or for any other application in which the failure of the SCILLC product could create a situation where personal injury or death may occur. Should Buyer purchase or use SCILLC products for any such unintended or unauthorized application, Buyer shall indemnify and hold SCILLC and its officers, employees, subsidiaries, affiliates, and distributors harmless against all claims, costs, damages, and expenses, and reasonable attorney fees arising out of, directly or indirectly, any claim of personal injury or death associated with such unintended or unauthorized use, even if such claim alleges that SCILLC was negligent regarding the design or manufacture of the part. SCILLC is an Equal Opportunity/Affirmative Action Employer. This literature is subject to all applicable copyright laws and is not for resale in any manner.

PUBLICATION ORDERING INFORMATION

LITERATURE FULFILLMENT:
Literature Distribution Center for ON Semiconductor
P.O. Box 5163, Denver, Colorado 80217 USA
Phone: 303-675-2175 or 800-344-3860 Toll Free USA/Canada
Fax: 303-675-2176 or 800-344-3867 Toll Free USA/Canada
Email: orderlit@onsemi.com

N. American Technical Support: 800-282-9855 Toll Free
USA/Canada
Europe, Middle East and Africa Technical Support:
Phone: 421 33 790 2910
Japan Customer Focus Center
Phone: 81-3-5773-3850

ON Semiconductor Website: www.onsemi.com
Order Literature: <http://www.onsemi.com/orderlit>

For additional information, please contact your local Sales Representative