



Push Button Control of Digital Potentiometers (POTs) with an Increment/Decrement Interface

APPLICATION NOTE

There are a number of ways of programming digital POTs. The best technique depends on the digital POT's type of interface and its application.

This Application Note discusses the push button control of digital POTs which have an increment/decrement interface in applications where there is no embedded processor. Instead, the digital POT is programmed using push button switches to generate the control signals for the UP/DN, INC, and CS inputs. For those applications where the programming of the digital POT is an ongoing requirement, the push button switches and the interface circuitry will be part of the application. For those applications where the digital POT will be programmed only once during production testing, the switches and their interface will be in an external controller unit. The controller unit containing the push button switches is typically connected to the digital POT using pins, cable and a connector or a bed-of-nails test system.

The circuit in Figure 1 is a low cost, low component count implementation of a push button controller. A SPST UP/DN switch programs the direction of the pot's wiper, and two momentary contact SPDT, INCR and STORE, switches program the increment and store functions. The momentary contact switches are debounced.

The INCR switch enables a low frequency clock which advances the wiper one position every falling edge of the clock. The clock is enabled as long as the INCR switch is held down and its frequency is roughly determined by $f \approx 1/R_1C_1$. A resistor of 200 kΩ and a capacitor of 0.33 μF produces a measured clock frequency of 17 Hz. The oscillator requires a NAND gate with Schmitt-trigger inputs (74HC132 type).

The STORE switch initiates a positive pulse to the chip select line. On the leading edge of this pulse, the current wiper setting of the potentiometer is stored to nonvolatile memory. The pulse width is derived from the R₂ and C₂ differentiator and is roughly determined by $PW \approx 1/R_2C_2$. A resistor of 20 kΩ and a capacitor of 0.001 μF produces a measured pulse width of 18 μsec.

R₃, R₄ and R₅ are the pullup and pulldown resistors for the increment, chip select, and up/down digital POT inputs. For 'program once' applications, all input control signals must have either pullup or pulldown resistors when the programmer is disconnected. The values of the pullup and pulldown resistors are in the 5 kΩ – 50 kΩ range.

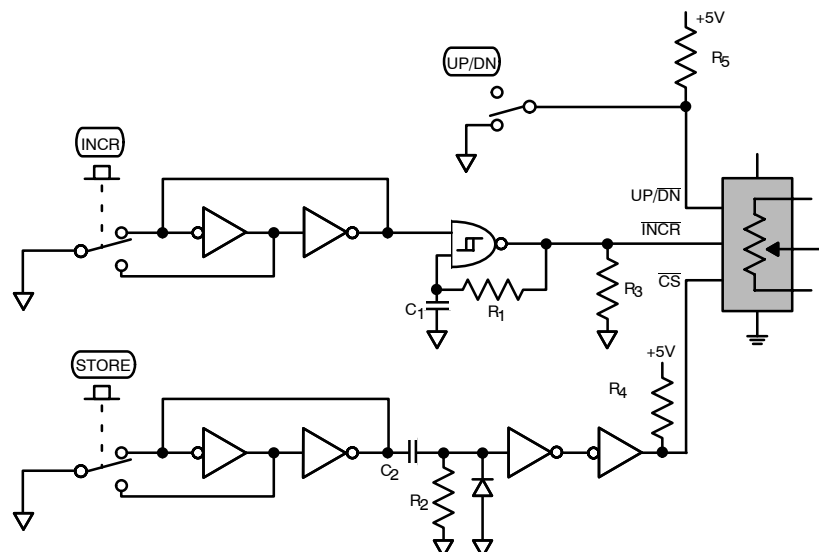



Figure 1. Push Button Controller

ON Semiconductor and  are registered trademarks of Semiconductor Components Industries, LLC (SCILLC). SCILLC owns the rights to a number of patents, trademarks, copyrights, trade secrets, and other intellectual property. A listing of SCILLC's product/patent coverage may be accessed at www.onsemi.com/site/pdf/Patent-Marking.pdf. SCILLC reserves the right to make changes without further notice to any products herein. SCILLC makes no warranty, representation or guarantee regarding the suitability of its products for any particular purpose, nor does SCILLC assume any liability arising out of the application or use of any product or circuit, and specifically disclaims any and all liability, including without limitation special, consequential or incidental damages. "Typical" parameters which may be provided in SCILLC data sheets and/or specifications can and do vary in different applications and actual performance may vary over time. All operating parameters, including "Typicals" must be validated for each customer application by customer's technical experts. SCILLC does not convey any license under its patent rights nor the rights of others. SCILLC products are not designed, intended, or authorized for use as components in systems intended for surgical implant into the body, or other applications intended to support or sustain life, or for any other application in which the failure of the SCILLC product could create a situation where personal injury or death may occur. Should Buyer purchase or use SCILLC products for any such unintended or unauthorized application, Buyer shall indemnify and hold SCILLC and its officers, employees, subsidiaries, affiliates, and distributors harmless against all claims, costs, damages, and expenses, and reasonable attorney fees arising out of, directly or indirectly, any claim of personal injury or death associated with such unintended or unauthorized use, even if such claim alleges that SCILLC was negligent regarding the design or manufacture of the part. SCILLC is an Equal Opportunity/Affirmative Action Employer. This literature is subject to all applicable copyright laws and is not for resale in any manner.

PUBLICATION ORDERING INFORMATION

LITERATURE FULFILLMENT:

Literature Distribution Center for ON Semiconductor
P.O. Box 5163, Denver, Colorado 80217 USA
Phone: 303-675-2175 or 800-344-3860 Toll Free USA/Canada
Fax: 303-675-2176 or 800-344-3867 Toll Free USA/Canada
Email: orderlit@onsemi.com

N. American Technical Support: 800-282-9855 Toll Free
USA/Canada
Europe, Middle East and Africa Technical Support:
Phone: 421 33 790 2910
Japan Customer Focus Center
Phone: 81-3-5817-1050

ON Semiconductor Website: www.onsemi.com

Order Literature: <http://www.onsemi.com/orderlit>

For additional information, please contact your local
Sales Representative