



Is Now Part of



**ON Semiconductor®**

To learn more about ON Semiconductor, please visit our website at  
[www.onsemi.com](http://www.onsemi.com)

ON Semiconductor and the ON Semiconductor logo are trademarks of Semiconductor Components Industries, LLC dba ON Semiconductor or its subsidiaries in the United States and/or other countries. ON Semiconductor owns the rights to a number of patents, trademarks, copyrights, trade secrets, and other intellectual property. A listing of ON Semiconductor's product/patent coverage may be accessed at [www.onsemi.com/site/pdf/Patent-Marking.pdf](http://www.onsemi.com/site/pdf/Patent-Marking.pdf). ON Semiconductor reserves the right to make changes without further notice to any products herein. ON Semiconductor makes no warranty, representation or guarantee regarding the suitability of its products for any particular purpose, nor does ON Semiconductor assume any liability arising out of the application or use of any product or circuit, and specifically disclaims any and all liability, including without limitation special, consequential or incidental damages. Buyer is responsible for its products and applications using ON Semiconductor products, including compliance with all laws, regulations and safety requirements or standards, regardless of any support or applications information provided by ON Semiconductor. "Typical" parameters which may be provided in ON Semiconductor data sheets and/or specifications can and do vary in different applications and actual performance may vary over time. All operating parameters, including "Typicals" must be validated for each customer application by customer's technical experts. ON Semiconductor does not convey any license under its patent rights nor the rights of others. ON Semiconductor products are not designed, intended, or authorized for use as a critical component in life support systems or any FDA Class 3 medical devices or medical devices with a same or similar classification in a foreign jurisdiction or any devices intended for implantation in the human body. Should Buyer purchase or use ON Semiconductor products for any such unintended or unauthorized application, Buyer shall indemnify and hold ON Semiconductor and its officers, employees, subsidiaries, affiliates, and distributors harmless against all claims, costs, damages, and expenses, and reasonable attorney fees arising out of, directly or indirectly, any claim of personal injury or death associated with such unintended or unauthorized use, even if such claim alleges that ON Semiconductor was negligent regarding the design or manufacture of the part. ON Semiconductor is an Equal Opportunity/Affirmative Action Employer. This literature is subject to all applicable copyright laws and is not for resale in any manner.

# AN-9743

## FAN5345 and FAN5346 in LED Applications

### Programming LED Current

The FAN5345 and FAN5346 are inductive current-mode boost serial LED drivers that achieve LED current regulation by maintaining 0.25V across the  $R_{SET}$  resistor. The current through the LED string ( $I_{LED}$ ) is given by:

$$I_{LED} = \frac{0.250}{R_{SET}} \quad (1)$$

The voltage  $V_{OUT}$  is determined by the sum of the forward voltages across each LED, plus the voltage across  $R_{SET}$ , which is always 250mV.

Figure 1 illustrates an application of four white LEDs driven in series with  $I_{LED} = 20mA$ . The  $V_F$  of the white LEDs is 3.2V. The  $R_{SET}$  is set to  $12.4\Omega$  with  $L = 10.0\mu H$  and  $C_{OUT} = 1.0\mu F$ . For an  $I_{LED}$  of 25mA, change the  $R_{SET}$  to  $10.0\Omega$ .

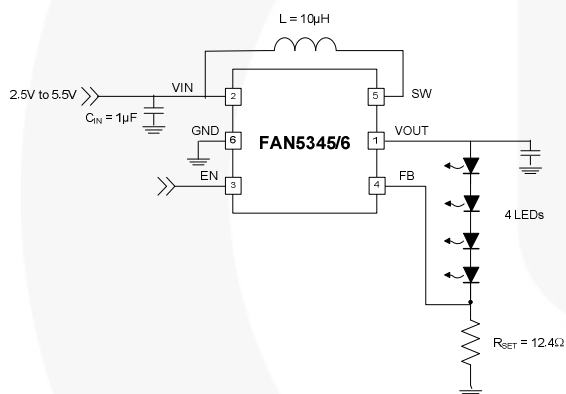


Figure 1. Driving 4 White LEDs at 20mA

### Driving Eight LEDs in Series

FAN5345/6 can drive up to eight (8) white LEDs in series, but the input voltage MUST be  $\geq 2.9V$  for stable operation.

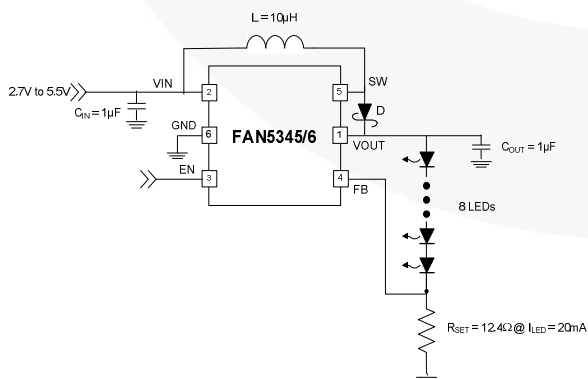


Figure 2. Configured for 8 White LEDs at 20mA

Figure 2 shows eight white LEDs driven in series with  $I_{LED}$  of 20mA and  $R_{SET}$  of  $12.4\Omega$ .

### Setting the Output Voltage

The FAN5345/6 can be utilized as a voltage regulator by using up a voltage divider network with  $R_1$  on the top and  $R_2$  on the bottom (see Figure 3). The output voltage range for FAN5345/6(30V version) is 6.5V to 30V. For applications where the load current is greater than or equal to 5mA, select a value for  $R_2$  in the range of several KΩs, then calculate  $R_1$  using the following equation:

$$R_1 = \left( \frac{V_o}{0.25} - 1 \right) \times R_2 \quad (2)$$

where  $I_{OUT} \geq 5mA$ .

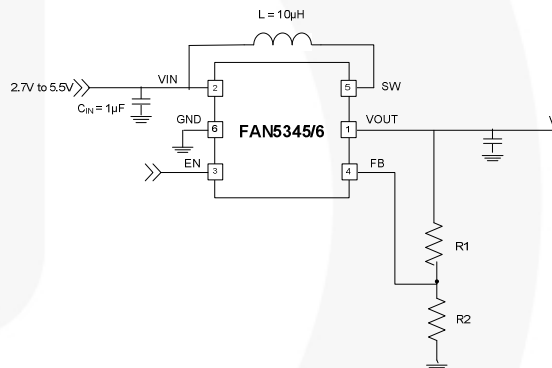


Figure 3. Configured as a Voltage Regulator

One application that can use the FAN5345/6 in the configuration above is passive matrix OLED (PMOLED) displays. These displays need a supply of 12V to 14V and 30mA to 40mA of load current. It is important to note that the FAN5345/6 can support a maximum output power of 500mW, so care must be taken in setting the output voltage and current.

In applications where the load current is less than 5mA,  $R_2$  should be determined using the equation below:

$$R_2 = \left( \frac{0.25}{0.005 - I_{OUT\_MIN}} \right) \quad (3)$$

where  $I_{OUT} < 5mA$ .

Once  $R_2$  has been set by the equation above; use Equation 2 to determine  $R_1$ .

## Procedure to Design FAN5345/6 in Application

To design FAN5345/6 for LED driver or boost applications, the design must meet the following conditions:

- The maximum output power that FAN5345/6 can support is 500mW, which is  $V_{OUT} \times I_{OUT} \leq 500mW$ .
- The FB voltage is fixed at 0.25V
- The maximum  $V_{OUT}$  is 20V or 30V, depending on the version of the product.

By applying the following equations, either the number of LEDs (N) or the boost voltage can be obtained.

- $V_{OUT} = N \times V_F + 0.25$ , LED driver application
- $V_{OUT} = I_{OUT} \times (R_1 + R_2)$ , Boost application
- $P_{OUT} = V_{OUT} \times I_{OUT} \leq 500mW$
- $R_{EST} = 0.25/I_{OUT}$

Failure to meet the above requirements yields unstable operation or damage to FAN5345/6.

## PCB Layout Consideration

FAN5345/6 switches at 1.2MHz to boost the output voltage. Component placement and PCB layout need to be carefully considered to ensure stable output and to prevent generation of noise. Figure 4 is a portion of the evaluation board layout. The critical layout elements are the L1,  $C_{IN}$ ,  $C_{IN}$  return trace,  $C_{OUT}$ , and the  $C_{OUT}$  return trace.

### Input Capacitor and Return Trace

The input capacitor is the first priority in a switching buck or boost regulator PCB layout. A stable input source ( $V_{IN}$ ) enables a switching regulator to deliver its best performance. During the regulator's operation, it is switching at a high frequency, which makes the load of  $C_{IN}$  change dynamically since it is trying to make the input source vary at the same switching frequency as the regulator. To ensure a stable input source,  $C_{IN}$  needs to hold enough energy to minimize the variation right at the input pin of the regulator. In order for  $C_{IN}$  to have a fast response of charge/discharge, the trace from  $C_{IN}$  to the input pin of the regulator and the return trace from GND of the regulator to  $C_{IN}$  should be as short and as wide as possible to minimize trace resistance, inductance, and capacitance.

During operation, current flow from  $C_{IN}$  through the regulator to the load and back to  $C_{IN}$  contains high-frequency variation due to switching. Trace resistance reduces the overall efficiency due to  $I^2R$  loss. Even a small trace inductance could yield ground variation and add noise on  $V_{OUT}$ . The input capacitor should be placed close to the  $V_{IN}$  and GND pins of the regulator and traces should be as short as possible. Avoid routing the return trace through different layers because vias have strong inductance effect at high frequencies. If routing to other PCB layers is unavoidable, place vias next to the  $V_{IN}$  and GND pins of the regulator to minimize the trace distance.

### Output Capacitor and Return Trace

The output capacitor serves the same purpose as the input capacitor but it also maintains a stable output voltage. As explained above, the current travels to the load and back to  $C_{OUT}$  GND terminal.  $C_{OUT}$  should be placed as close to the  $V_{OUT}$  pin and the traces of  $C_{OUT}$  to L1,  $V_{OUT}$ , and return trace from load to  $C_{OUT}$  should be as short and wide as possible to minimize trace resistance and inductance. To minimize noise coupling to load, a small value capacitor can be placed between  $V_{OUT}$  and  $C_{OUT}$  to route high-frequency noise back to GND before it gets to the load.

### Inductor

Inductor (L1) should be placed as close to the regulator as possible to minimize trace resistance and inductance for the reason explained above.

### Sense Resistor

The sense resistor provides a feedback signal for the regulator to regulate an output voltage. A long trace from the sense resistor to the FB pin couples noise into the FB pin, which can cause unstable operation of the switching regulator, which affects application performance. The return trace from the sense resistor to the FB pin should be short and away from any fast-switching signal traces. The ground plane under the return trace is not necessary. If the ground plane under the return trace is noisy, but not the same ground plane as the regulator; the noise could be coupled into the FB pin through PCB parasitic capacitance, yielding a noisy output.

As shown in Figure 4;  $C_{IN}$ ,  $C_{OUT}$ , and L1 are all placed next to the regulator. All traces are on the same layer to minimize trace resistance and inductance. Total PCB area, not including the sense resistor, is 67.2mm<sup>2</sup> (7.47mm x 8.99mm).

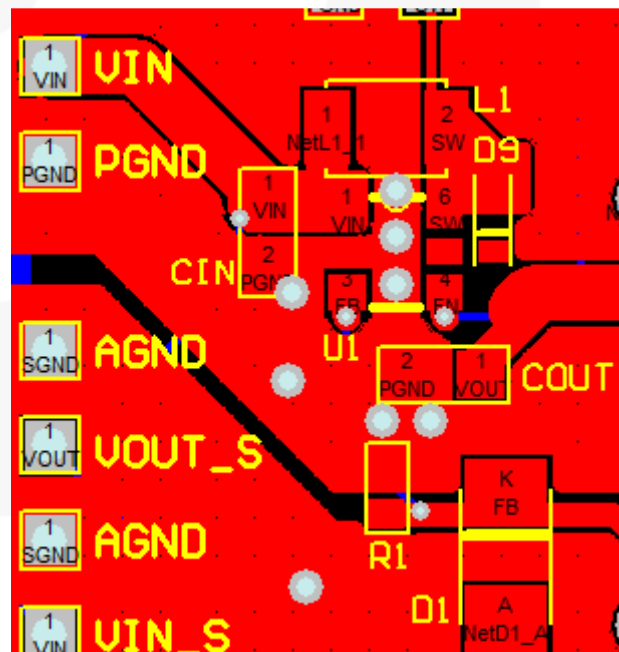


Figure 4. Recommended Component Placement

## Inductor & Output Capacitor Selection

**Table 1. Recommended External Components**

Inductor (L)	Part Number	Manufacturer
10.0 $\mu$ H	LQH43MN100K03	Murata
	NLCV32T-100K-PFR	TDK
	VLF3010AT-100MR49-1	TDK
	DEM2810C 1224-AS-H-100M	TOKO
Minimum C <sub>OUT</sub>		
1.0 $\mu$ F	CV105X5R105K25AT	AVX/Kyocera
Minimum C <sub>IN</sub>		
10.0 $\mu$ F	GRM21BR71A106KE51L	Murata
Schottky Diode		
N/A	RBS520S30	Fairchild Semiconductor
N/A	RB520S-30	R $\Omega$

### Input Capacitance

In a typical application, the input and output capacitors should be placed as close to the IC as possible; no additional capacitance is needed to ensure proper functionality. However, in a testing environment, where the FAN5345/6 is typically powered by a power supply with relatively long cables, an additional input capacitor (10 $\mu$ F) may be needed to ensure stable functioning. This capacitor should be placed close to the power supply cables attachment to the FAN5345/6 evaluation board.

## Related Datasheets

[FAN5345 — Series Boost LED Driver with Single-Wire Digital Interface](#)

[FAN5346 — Series Boost LED Driver with PWM Dimming Interface](#)

### DISCLAIMER

FAIRCHILD SEMICONDUCTOR RESERVES THE RIGHT TO MAKE CHANGES WITHOUT FURTHER NOTICE TO ANY PRODUCTS HEREIN TO IMPROVE RELIABILITY, FUNCTION, OR DESIGN. FAIRCHILD DOES NOT ASSUME ANY LIABILITY ARISING OUT OF THE APPLICATION OR USE OF ANY PRODUCT OR CIRCUIT DESCRIBED HEREIN; NEITHER DOES IT CONVEY ANY LICENSE UNDER ITS PATENT RIGHTS, NOR THE RIGHTS OF OTHERS.

### LIFE SUPPORT POLICY

FAIRCHILD'S PRODUCTS ARE NOT AUTHORIZED FOR USE AS CRITICAL COMPONENTS IN LIFE SUPPORT DEVICES OR SYSTEMS WITHOUT THE EXPRESS WRITTEN APPROVAL OF THE PRESIDENT OF FAIRCHILD SEMICONDUCTOR CORPORATION.

As used herein:

1. Life support devices or systems are devices or systems which, (a) are intended for surgical implant into the body, or (b) support or sustain life, or (c) whose failure to perform when properly used in accordance with instructions for use provided in the labeling, can be reasonably expected to result in significant injury to the user.
2. A critical component is any component of a life support device or system whose failure to perform can be reasonably expected to cause the failure of the life support device or system, or to affect its safety or effectiveness.

ON Semiconductor and  are trademarks of Semiconductor Components Industries, LLC dba ON Semiconductor or its subsidiaries in the United States and/or other countries. ON Semiconductor owns the rights to a number of patents, trademarks, copyrights, trade secrets, and other intellectual property. A listing of ON Semiconductor's product/patent coverage may be accessed at [www.onsemi.com/site/pdf/Patent-Marking.pdf](http://www.onsemi.com/site/pdf/Patent-Marking.pdf). ON Semiconductor reserves the right to make changes without further notice to any products herein. ON Semiconductor makes no warranty, representation or guarantee regarding the suitability of its products for any particular purpose, nor does ON Semiconductor assume any liability arising out of the application or use of any product or circuit, and specifically disclaims any and all liability, including without limitation special, consequential or incidental damages. Buyer is responsible for its products and applications using ON Semiconductor products, including compliance with all laws, regulations and safety requirements or standards, regardless of any support or applications information provided by ON Semiconductor. "Typical" parameters which may be provided in ON Semiconductor data sheets and/or specifications can and do vary in different applications and actual performance may vary over time. All operating parameters, including "Typicals" must be validated for each customer application by customer's technical experts. ON Semiconductor does not convey any license under its patent rights nor the rights of others. ON Semiconductor products are not designed, intended, or authorized for use as a critical component in life support systems or any FDA Class 3 medical devices or medical devices with a same or similar classification in a foreign jurisdiction or any devices intended for implantation in the human body. Should Buyer purchase or use ON Semiconductor products for any such unintended or unauthorized application, Buyer shall indemnify and hold ON Semiconductor and its officers, employees, subsidiaries, affiliates, and distributors harmless against all claims, costs, damages, and expenses, and reasonable attorney fees arising out of, directly or indirectly, any claim of personal injury or death associated with such unintended or unauthorized use, even if such claim alleges that ON Semiconductor was negligent regarding the design or manufacture of the part. ON Semiconductor is an Equal Opportunity/Affirmative Action Employer. This literature is subject to all applicable copyright laws and is not for resale in any manner.

## PUBLICATION ORDERING INFORMATION

### LITERATURE FULFILLMENT:

Literature Distribution Center for ON Semiconductor  
19521 E. 32nd Pkwy, Aurora, Colorado 80011 USA  
**Phone:** 303-675-2175 or 800-344-3860 Toll Free USA/Canada  
**Fax:** 303-675-2176 or 800-344-3867 Toll Free USA/Canada  
**Email:** [orderlit@onsemi.com](mailto:orderlit@onsemi.com)

**N. American Technical Support:** 800-282-9855 Toll Free  
USA/Canada  
**Europe, Middle East and Africa Technical Support:**  
Phone: 421 33 790 2910  
**Japan Customer Focus Center**  
Phone: 81-3-5817-1050

**ON Semiconductor Website:** [www.onsemi.com](http://www.onsemi.com)  
**Order Literature:** <http://www.onsemi.com/orderlit>  
For additional information, please contact your local  
Sales Representative