

ON Semiconductor

Is Now

onsemi™

To learn more about onsemi™, please visit our website at
www.onsemi.com

onsemi and **onsemi** and other names, marks, and brands are registered and/or common law trademarks of Semiconductor Components Industries, LLC dba "**onsemi**" or its affiliates and/or subsidiaries in the United States and/or other countries. **onsemi** owns the rights to a number of patents, trademarks, copyrights, trade secrets, and other intellectual property. A listing of **onsemi** product/patent coverage may be accessed at www.onsemi.com/site/pdf/Patent-Marking.pdf. **onsemi** reserves the right to make changes at any time to any products or information herein, without notice. The information herein is provided "as-is" and **onsemi** makes no warranty, representation or guarantee regarding the accuracy of the information, product features, availability, functionality, or suitability of its products for any particular purpose, nor does **onsemi** assume any liability arising out of the application or use of any product or circuit, and specifically disclaims any and all liability, including without limitation special, consequential or incidental damages. Buyer is responsible for its products and applications using **onsemi** products, including compliance with all laws, regulations and safety requirements or standards, regardless of any support or applications information provided by **onsemi**. "Typical" parameters which may be provided in **onsemi** data sheets and/or specifications can and do vary in different applications and actual performance may vary over time. All operating parameters, including "Typicals" must be validated for each customer application by customer's technical experts. **onsemi** does not convey any license under any of its intellectual property rights nor the rights of others. **onsemi** products are not designed, intended, or authorized for use as a critical component in life support systems or any FDA Class 3 medical devices or medical devices with a same or similar classification in a foreign jurisdiction or any devices intended for implantation in the human body. Should Buyer purchase or use **onsemi** products for any such unintended or unauthorized application, Buyer shall indemnify and hold **onsemi** and its officers, employees, subsidiaries, affiliates, and distributors harmless against all claims, costs, damages, and expenses, and reasonable attorney fees arising out of, directly or indirectly, any claim of personal injury or death associated with such unintended or unauthorized use, even if such claim alleges that **onsemi** was negligent regarding the design or manufacture of the part. **onsemi** is an Equal Opportunity/Affirmative Action Employer. This literature is subject to all applicable copyright laws and is not for resale in any manner. Other names and brands may be claimed as the property of others.



Is Now Part of



ON Semiconductor®

To learn more about ON Semiconductor, please visit our website at
www.onsemi.com

ON Semiconductor and the ON Semiconductor logo are trademarks of Semiconductor Components Industries, LLC dba ON Semiconductor or its subsidiaries in the United States and/or other countries. ON Semiconductor owns the rights to a number of patents, trademarks, copyrights, trade secrets, and other intellectual property. A listing of ON Semiconductor's product/patent coverage may be accessed at www.onsemi.com/site/pdf/Patent-Marking.pdf. ON Semiconductor reserves the right to make changes without further notice to any products herein. ON Semiconductor makes no warranty, representation or guarantee regarding the suitability of its products for any particular purpose, nor does ON Semiconductor assume any liability arising out of the application or use of any product or circuit, and specifically disclaims any and all liability, including without limitation special, consequential or incidental damages. Buyer is responsible for its products and applications using ON Semiconductor products, including compliance with all laws, regulations and safety requirements or standards, regardless of any support or applications information provided by ON Semiconductor. "Typical" parameters which may be provided in ON Semiconductor data sheets and/or specifications can and do vary in different applications and actual performance may vary over time. All operating parameters, including "Typicals" must be validated for each customer application by customer's technical experts. ON Semiconductor does not convey any license under its patent rights nor the rights of others. ON Semiconductor products are not designed, intended, or authorized for use as a critical component in life support systems or any FDA Class 3 medical devices or medical devices with a same or similar classification in a foreign jurisdiction or any devices intended for implantation in the human body. Should Buyer purchase or use ON Semiconductor products for any such unintended or unauthorized application, Buyer shall indemnify and hold ON Semiconductor and its officers, employees, subsidiaries, affiliates, and distributors harmless against all claims, costs, damages, and expenses, and reasonable attorney fees arising out of, directly or indirectly, any claim of personal injury or death associated with such unintended or unauthorized use, even if such claim alleges that ON Semiconductor was negligent regarding the design or manufacture of the part. ON Semiconductor is an Equal Opportunity/Affirmative Action Employer. This literature is subject to all applicable copyright laws and is not for resale in any manner.

AN-8023

Negative Voltage Management Using a FAN8303 Buck Regulator

Abstract

FAN8303 is a 2A, 370kHz monolithic integrated buck regulator with internal power MOSFETs. It is simple to use and needs minimal external components. This application note describes how to generate negative voltage using FAN8303. It introduces application examples and discusses optimized designs for a buck-boost circuit.

Introduction

Buck regulators are widely used for higher voltage to lower voltage DC conversion. Likewise, FAN8303 was originally designed for application needing regulated DC voltage, such as set-top box microcontrollers and efficient pre-regulators

for linear regulators in PC monitor and TV applications. In some cases, a non-synchronous buck regulator also can be utilized for buck-boost circuit to generate negative voltage with respect to ground. These applications include audio amplifier, timing control circuit for LCD panel, and so on.

Figure 1 shows a practical application of an LCD panel; it needs negative voltage for contrast control. In this block diagram, a charge pump is usually adopted due to the simple design and low cost. However, it has an amount of power dissipation and poor output voltage regulation relative to input voltage variation. FAN8303 with negative output would be a solution to overcome these problems.

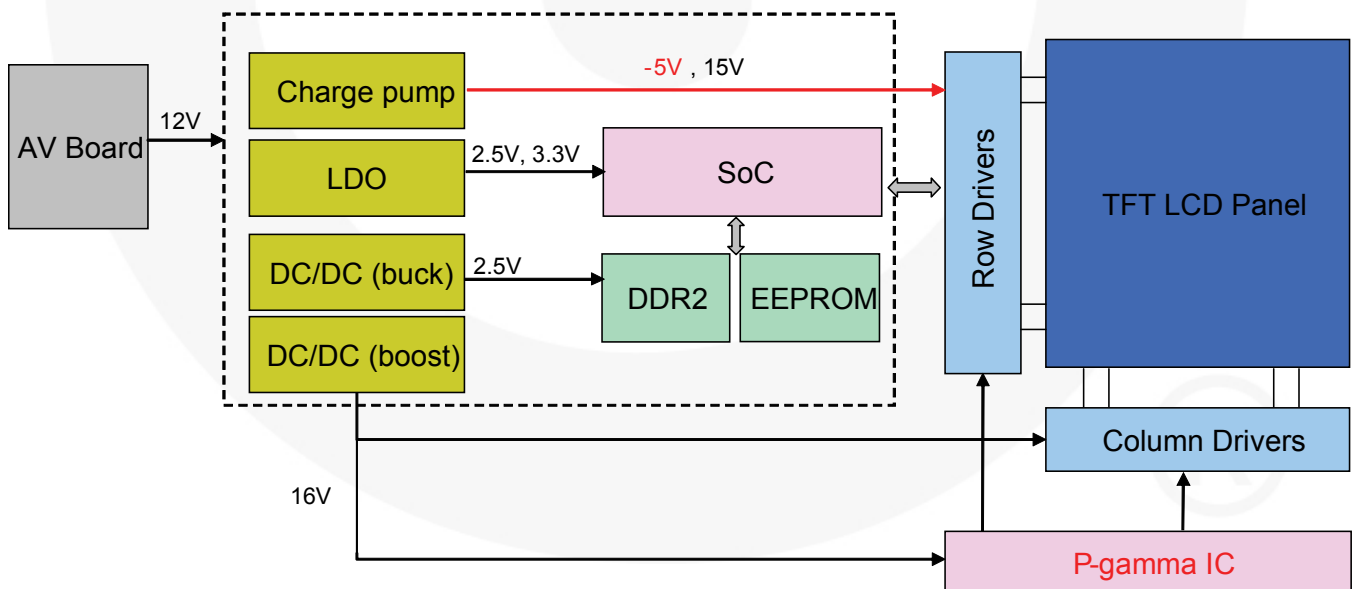


Figure 1. Example of Timing Control Block

Principle of Operation

To understand buck-boost topology, buck topology is briefly compared below. When the MOSFET switch (Q1 in Figure 3) is turned on, the voltage across inductor (V_L) is $V_{IN} - V_{OUT}$. During Q1 off-time, V_L is equal to $-V_{OUT}$ in buck topology. So the inductor current (I_L) ramps up with $(V_{IN} - V_{OUT})/L$ and ramps down with V_{OUT}/L slope. Thus, the energy can be transferred to the load with positive output voltage. Meanwhile, in buck-boost topology, the inductor and freewheeling diode switch positions. When the MOSFET

switch Q1 (Figure 2) is turned on, V_L is same as V_{IN} , so I_L ramps up with V_{IN}/L . During the Q1 off-time, V_L has reverse polarity to maintain continuous inductor current with $-V_{OUT}$. Therefore, it can generate negative output voltage.

Buck-boost circuit with buck regulators require several design considerations. Table 1 summarizes the design parameter comparison between buck and buck-boost circuit.

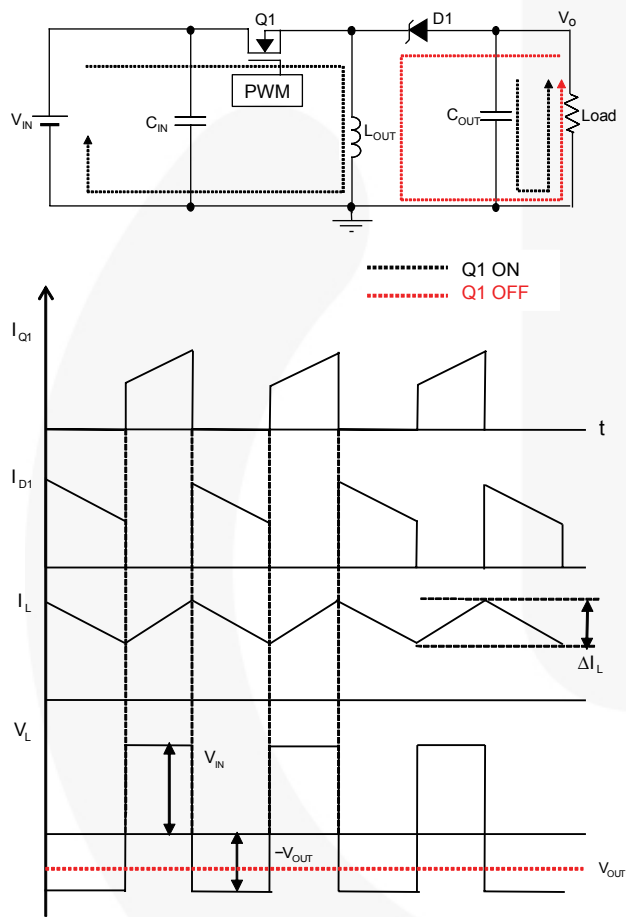


Figure 2. Buck-Boost Topology

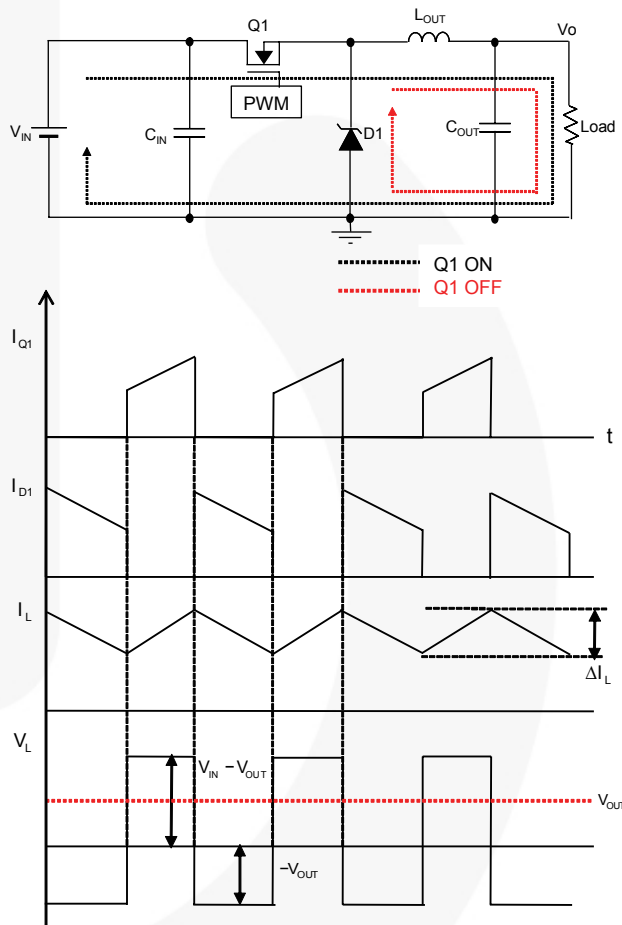


Figure 3. Buck Topology

Table 1. Buck and Buck-Boost Design Parameters

| Topology | I_L (Average) | Maximum V_{SW} | Duty Cycles |
|------------|-----------------------|----------------------|--|
| Buck-Boost | $\frac{I_{OUT}}{1-D}$ | $V_{IN} + V_{OUT} $ | $\frac{ V_{OUT} }{V_{IN} + V_{OUT} }$ |
| Buck | I_{OUT} | V_{IN} | $\frac{V_{OUT}}{V_{IN}}$ |

First of all, inductor current is limited by $(1-D)$; so attention is needed to see that the maximum output current of buck regulator is be always lower than the maximum current in buck-boost circuit. Second, the switch node is a sum of input voltage and output voltage in buck-boost. It also needs to be

limited to the maximum switch node voltage of buck regulator. Since buck-boost is very noisy on input and output compared to buck circuit, it requires good-quality MLCC as input and output filters.

Design Considerations

Inductor Selection

When choosing inductor, the main concerns are inductance value, RMS current rating, and DCR. Inductance value is usually adopted higher than the minimum inductance to operate Continuous Current Mode (CCM). RMS current should be higher than the inductor current to prevent inductor saturation without core loss. A low-DCR inductor is usually adopted when a power system needs high efficiency.

To operate in continuous current mode, critical minimum inductance is calculated by:

$$L = \frac{V_{IN} \times D}{f_{SW} \times \Delta I_L} \quad (1)$$

where:

$$D = \frac{|V_{OUT}|}{|V_{OUT}| + V_{IN}} = \text{Duty cycle;}$$

f_{SW} = Switching frequency; and

ΔI_L = Ripple current to maintain continuous current mode (typically 20%~30% of I_L).

Output Capacitor

An output capacitor is needed to satisfy the output voltage ripple requirement and to maintain constant output voltage during dynamic load condition. Ripple voltage depends on ESR, output capacitance, and ESL. To obtain the desired output ripple, the below equation for required minimum capacitance is useful:

$$C_{MIN} = \frac{I_{OUTMAX} \times D_{MAX}}{f_{SW} \times \Delta V_{OUT}} \quad (2)$$

where:

D_{MAX} = Maximum Duty Cycle;

I_{OUTMAX} = Maximum Output Current; and

ΔV_{OUT} = Desired Output Voltage Ripple.

The equation for required ESR is:

$$ESR = \frac{\Delta V_{OUT}}{I_{LMAX}} \quad (3)$$

Input Capacitor

The input capacitor should handle the maximum input RMS current, so use the equations below for calculation. Good estimation is given by 10 μ F or 22 μ F per amp with MLCC.

Maximum RMS input current:

$$I_{RMS_MAX} = I_{OUTMAX} \times \sqrt{(D \times (1-D))} \quad (4)$$

Required minimum capacitance:

$$C_{MIN} = (I_{RMS} \times D) / (f_{SW} \times \Delta V_{IN}) \quad (5)$$

where ΔV_{IN} is desired input voltage ripple.

Freewheeling Diode

The freewheeling diode acts as a inductor current path when the switch is turned off. Breakdown voltage, lower forward drop voltage, and the maximum current rating are considered for low power dissipation. A Schottky diode is preferred, which has low forward voltage drop.

Required diode current rating:

$$> I_{LMAX} \quad (6)$$

where I_{LMAX} is maximum inductor current.

Required breakdown voltage:

$$> V_{IN} + |V_{OUT}| \quad (7)$$

Design Example

A design example with test conditions $V_{IN} = 12V$, $V_{OUT} = -5V$, $I_{OUT} = 1A$, and $f_{SW} = 370\text{ kHz}$ (fixed) is shown below. The first step is to set the critical design parameters, such as inductor ripple current (ΔI_L) and desired output ripple voltage (ΔV_{OUT}). The second step is calculation of duty cycle. To achieve accurate value, consider the forward voltage drop of diode and MOSFET switch on drop voltage.

Fairchild FAN8303, non-synchronous buck regulator has integrated 0.22Ω N-channel MOSFET, so on drop voltage is about $0.4V$. Forward voltage of the Schottky diode ($40V_{RRM} / 2A I_{OUT}$) is $0.45V$. When it comes to the inductor, a higher value than calculated is recommended and a low DCR inductor is preferred:

Table 2. Design Example Calculations

| | | |
|-----------------------|---|--|
| Duty Cycle: | $= (V_{OUT} + V_F) / (V_{IN} + V_{OUT} + V_F - V_{Q1})$ | 0.33 |
| Inductance: | $= (V_{IN} \times D) / (f_{SW} \times \Delta I_L)$ | $35.6\mu H$ (desired $\Delta I_L = 20\%$) |
| Output Capacitance: | $= (I_{OUT} \times D) / (f_{SW} \times \Delta V_{OUT})$ | $86.8\mu F$ (desired $\Delta V_{OUT} = 10mV$) |
| Input Capacitance: | $I_{RMS} = I_{OUT} \times \sqrt{D \times (1-D)}$ | 0.47A |
| | $C_{IN} = I_{RMS} \times D / (\Delta V_{IN} \times f_{SW})$ | $4.05\mu F$ |
| Diode Current Rating: | $I_{DIODE_MAX} = I_{AVG} + \Delta I_L / 2$ where I_{AVG} = Average Inductor Current | 1.77A |

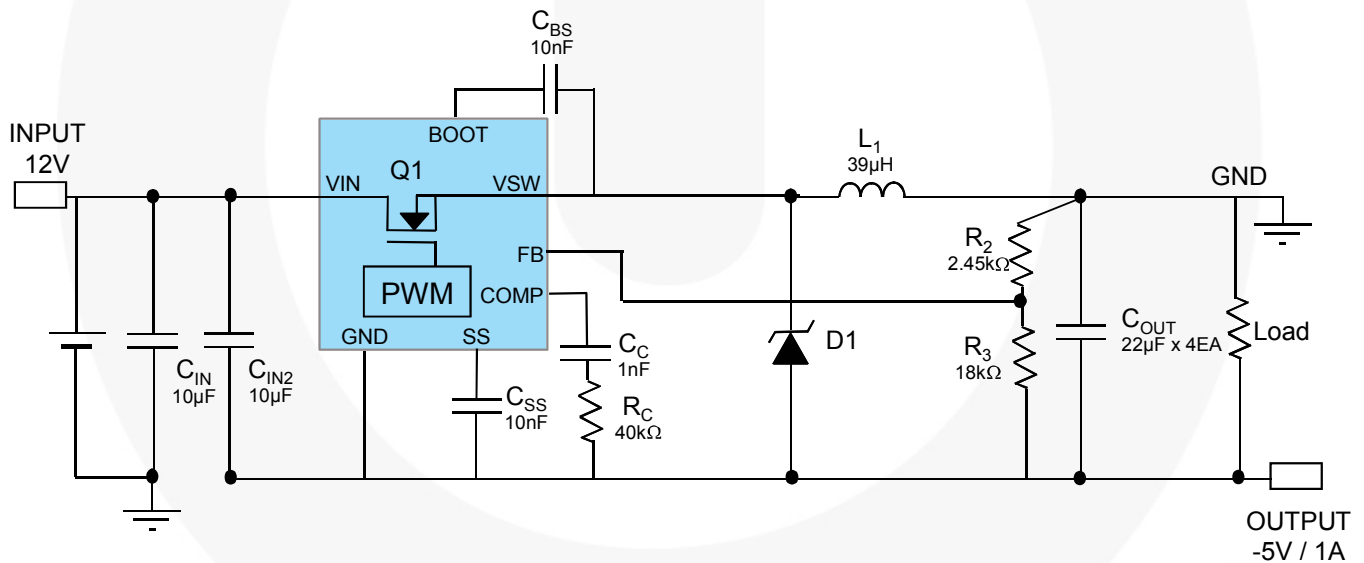


Figure 4. Buck-Boost Schematic Using FAN8303

Typical Waveforms & Graphs

Figure 5 and Figure 6 show the typical waveforms of the FAN8303 output ripple voltage. To achieve low ripple voltage, lower than 10mΩ MLCC is used.

Figure 7 shows FAN8303 efficiency and power-loss graph. It indicates a maximum of 87% efficiency with 0.31W at 400mA load condition.

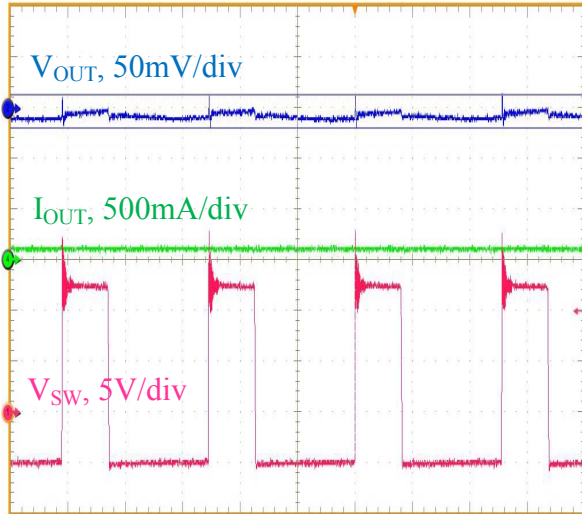


Figure 5. V_{OUT} Ripple (1μs/div), 33mV at 100mA

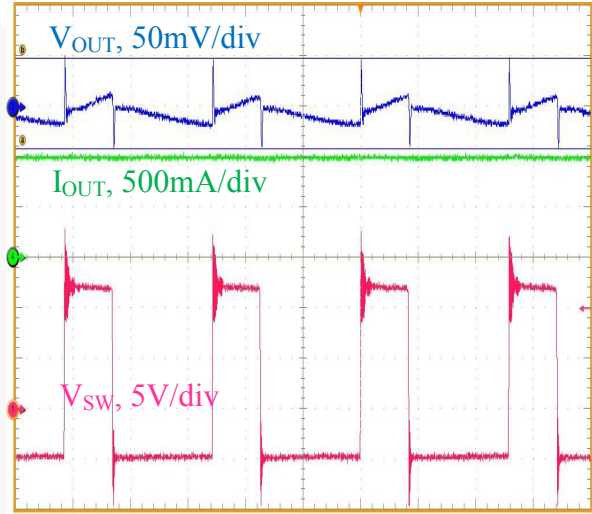


Figure 6. V_{OUT} Ripple (1μs/div), 89mV at 1A

Note:

1. Test conditions: V_{IN} = 12V, V_{OUT} = -5V, f_{SW} = fixed 370 kHz, and I_{OUT} = 0~1A.

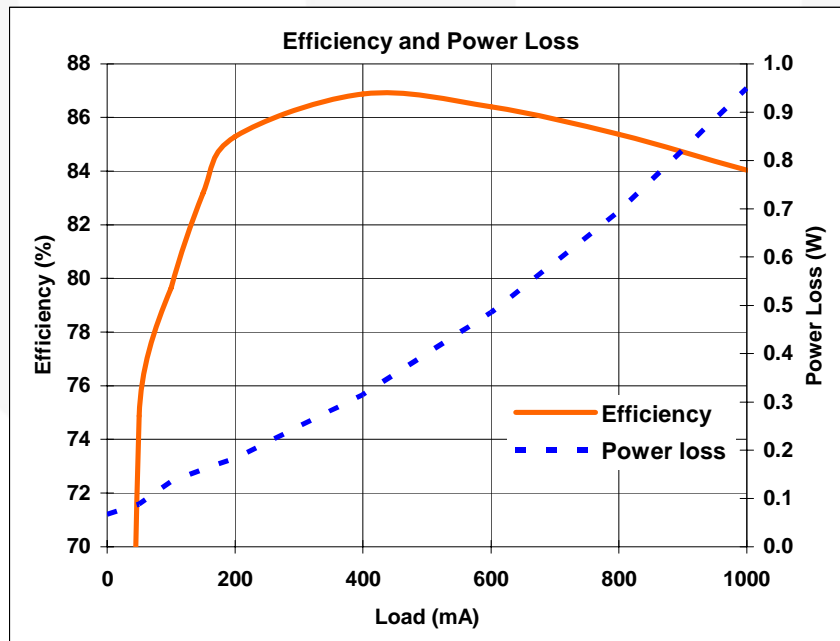


Figure 7. Efficiency and Power Loss

Conclusion

Fairchild 2A monolithic and non-synchronous buck regulator, FAN8303, has wide input range (~23V) with excellent load and line regulation. In spite of buck regulator,

FAN8303 also can be utilized for buck-boost circuit to generate negative output voltage with simple changes of passive element.

Author

DSEOM Application Engineer, SGYOON Application Engineer

Related Datasheets

[FAN8303 — 2A 23V Non-Synchronous Step-Down DC/DC Regulator](#)

DISCLAIMER

FAIRCHILD SEMICONDUCTOR RESERVES THE RIGHT TO MAKE CHANGES WITHOUT FURTHER NOTICE TO ANY PRODUCTS HEREIN TO IMPROVE RELIABILITY, FUNCTION, OR DESIGN. FAIRCHILD DOES NOT ASSUME ANY LIABILITY ARISING OUT OF THE APPLICATION OR USE OF ANY PRODUCT OR CIRCUIT DESCRIBED HEREIN; NEITHER DOES IT CONVEY ANY LICENSE UNDER ITS PATENT RIGHTS, NOR THE RIGHTS OF OTHERS.

LIFE SUPPORT POLICY

FAIRCHILD'S PRODUCTS ARE NOT AUTHORIZED FOR USE AS CRITICAL COMPONENTS IN LIFE SUPPORT DEVICES OR SYSTEMS WITHOUT THE EXPRESS WRITTEN APPROVAL OF THE PRESIDENT OF FAIRCHILD SEMICONDUCTOR CORPORATION.

As used herein:

1. Life support devices or systems are devices or systems which, (a) are intended for surgical implant into the body, or (b) support or sustain life, or (c) whose failure to perform when properly used in accordance with instructions for use provided in the labeling, can be reasonably expected to result in significant injury to the user.
2. A critical component is any component of a life support device or system whose failure to perform can be reasonably expected to cause the failure of the life support device or system, or to affect its safety or effectiveness.

ON Semiconductor and  are trademarks of Semiconductor Components Industries, LLC dba ON Semiconductor or its subsidiaries in the United States and/or other countries. ON Semiconductor owns the rights to a number of patents, trademarks, copyrights, trade secrets, and other intellectual property. A listing of ON Semiconductor's product/patent coverage may be accessed at www.onsemi.com/site/pdf/Patent-Marking.pdf. ON Semiconductor reserves the right to make changes without further notice to any products herein. ON Semiconductor makes no warranty, representation or guarantee regarding the suitability of its products for any particular purpose, nor does ON Semiconductor assume any liability arising out of the application or use of any product or circuit, and specifically disclaims any and all liability, including without limitation special, consequential or incidental damages. Buyer is responsible for its products and applications using ON Semiconductor products, including compliance with all laws, regulations and safety requirements or standards, regardless of any support or applications information provided by ON Semiconductor. "Typical" parameters which may be provided in ON Semiconductor data sheets and/or specifications can and do vary in different applications and actual performance may vary over time. All operating parameters, including "Typicals" must be validated for each customer application by customer's technical experts. ON Semiconductor does not convey any license under its patent rights nor the rights of others. ON Semiconductor products are not designed, intended, or authorized for use as a critical component in life support systems or any FDA Class 3 medical devices or medical devices with a same or similar classification in a foreign jurisdiction or any devices intended for implantation in the human body. Should Buyer purchase or use ON Semiconductor products for any such unintended or unauthorized application, Buyer shall indemnify and hold ON Semiconductor and its officers, employees, subsidiaries, affiliates, and distributors harmless against all claims, costs, damages, and expenses, and reasonable attorney fees arising out of, directly or indirectly, any claim of personal injury or death associated with such unintended or unauthorized use, even if such claim alleges that ON Semiconductor was negligent regarding the design or manufacture of the part. ON Semiconductor is an Equal Opportunity/Affirmative Action Employer. This literature is subject to all applicable copyright laws and is not for resale in any manner.

PUBLICATION ORDERING INFORMATION

LITERATURE FULFILLMENT:

Literature Distribution Center for ON Semiconductor
19521 E. 32nd Pkwy, Aurora, Colorado 80011 USA
Phone: 303-675-2175 or 800-344-3860 Toll Free USA/Canada
Fax: 303-675-2176 or 800-344-3867 Toll Free USA/Canada
Email: orderlit@onsemi.com

N. American Technical Support: 800-282-9855 Toll Free
USA/Canada
Europe, Middle East and Africa Technical Support:
Phone: 421 33 790 2910
Japan Customer Focus Center
Phone: 81-3-5817-1050

ON Semiconductor Website: www.onsemi.com
Order Literature: <http://www.onsemi.com/orderlit>
For additional information, please contact your local
Sales Representative