

# ON Semiconductor

## Is Now

# onsemi™

To learn more about onsemi™, please visit our website at  
[www.onsemi.com](http://www.onsemi.com)

---

**onsemi** and **onsemi** and other names, marks, and brands are registered and/or common law trademarks of Semiconductor Components Industries, LLC dba "**onsemi**" or its affiliates and/or subsidiaries in the United States and/or other countries. **onsemi** owns the rights to a number of patents, trademarks, copyrights, trade secrets, and other intellectual property. A listing of **onsemi** product/patent coverage may be accessed at [www.onsemi.com/site/pdf/Patent-Marking.pdf](http://www.onsemi.com/site/pdf/Patent-Marking.pdf). **onsemi** reserves the right to make changes at any time to any products or information herein, without notice. The information herein is provided "as-is" and **onsemi** makes no warranty, representation or guarantee regarding the accuracy of the information, product features, availability, functionality, or suitability of its products for any particular purpose, nor does **onsemi** assume any liability arising out of the application or use of any product or circuit, and specifically disclaims any and all liability, including without limitation special, consequential or incidental damages. Buyer is responsible for its products and applications using **onsemi** products, including compliance with all laws, regulations and safety requirements or standards, regardless of any support or applications information provided by **onsemi**. "Typical" parameters which may be provided in **onsemi** data sheets and/or specifications can and do vary in different applications and actual performance may vary over time. All operating parameters, including "Typicals" must be validated for each customer application by customer's technical experts. **onsemi** does not convey any license under any of its intellectual property rights nor the rights of others. **onsemi** products are not designed, intended, or authorized for use as a critical component in life support systems or any FDA Class 3 medical devices or medical devices with a same or similar classification in a foreign jurisdiction or any devices intended for implantation in the human body. Should Buyer purchase or use **onsemi** products for any such unintended or unauthorized application, Buyer shall indemnify and hold **onsemi** and its officers, employees, subsidiaries, affiliates, and distributors harmless against all claims, costs, damages, and expenses, and reasonable attorney fees arising out of, directly or indirectly, any claim of personal injury or death associated with such unintended or unauthorized use, even if such claim alleges that **onsemi** was negligent regarding the design or manufacture of the part. **onsemi** is an Equal Opportunity/Affirmative Action Employer. This literature is subject to all applicable copyright laws and is not for resale in any manner. Other names and brands may be claimed as the property of others.



Is Now Part of



**ON Semiconductor®**

To learn more about ON Semiconductor, please visit our website at

[www.onsemi.com](http://www.onsemi.com)

ON Semiconductor and the ON Semiconductor logo are trademarks of Semiconductor Components Industries, LLC dba ON Semiconductor or its subsidiaries in the United States and/or other countries. ON Semiconductor owns the rights to a number of patents, trademarks, copyrights, trade secrets, and other intellectual property. A listing of ON Semiconductor's product/patent coverage may be accessed at [www.onsemi.com/site/pdf/Patent-Marking.pdf](http://www.onsemi.com/site/pdf/Patent-Marking.pdf). ON Semiconductor reserves the right to make changes without further notice to any products herein. ON Semiconductor makes no warranty, representation or guarantee regarding the suitability of its products for any particular purpose, nor does ON Semiconductor assume any liability arising out of the application or use of any product or circuit, and specifically disclaims any and all liability, including without limitation special, consequential or incidental damages. Buyer is responsible for its products and applications using ON Semiconductor products, including compliance with all laws, regulations and safety requirements or standards, regardless of any support or applications information provided by ON Semiconductor. "Typical" parameters which may be provided in ON Semiconductor data sheets and/or specifications can and do vary in different applications and actual performance may vary over time. All operating parameters, including "Typicals" must be validated for each customer application by customer's technical experts. ON Semiconductor does not convey any license under its patent rights nor the rights of others. ON Semiconductor products are not designed, intended, or authorized for use as a critical component in life support systems or any FDA Class 3 medical devices or medical devices with a same or similar classification in a foreign jurisdiction or any devices intended for implantation in the human body. Should Buyer purchase or use ON Semiconductor products for any such unintended or unauthorized application, Buyer shall indemnify and hold ON Semiconductor and its officers, employees, subsidiaries, affiliates, and distributors harmless against all claims, costs, damages, and expenses, and reasonable attorney fees arising out of, directly or indirectly, any claim of personal injury or death associated with such unintended or unauthorized use, even if such claim alleges that ON Semiconductor was negligent regarding the design or manufacture of the part. ON Semiconductor is an Equal Opportunity/Affirmative Action Employer. This literature is subject to all applicable copyright laws and is not for resale in any manner.

# AN-8005

## FMS6151 NoSAG/SAG Applications

### Description

The FMS6151 is a low cost, integrated, video filter intended to replace passive LC filters and drivers in 3V portable video applications. The device will operate in applications with a  $V_{CC}$  ranging from 2.5 to 5.5V. The 5th order filter provides better image quality compared to typical 2nd and 3rd order passive solutions. FMS6151 shutdown mode allows for reduced current, typically less than 1 $\mu$ A, dramatically reducing power consumption for prolonged battery life.

The FMS6151 is intended to be directly driven by a DC-coupled DAC output but can also operate with input AC-coupled. The output can drive AC or DC-coupled single 75 $\Omega$  coax (150 $\Omega$ ) load. DC-coupling the output removes the need for expensive output coupling capacitors. If the output is AC-coupled, the SAG correction circuit can be used to reduce the value and the physical size of the AC output coupling capacitors and still produce acceptable field tilt.

Offering SAG correction, fixed gain of 6dB and a 5th order low pass filter in a tiny space saving package (Micropak®) makes the FMS6151 well suited for space sensitive applications such as cellular phones and digital cameras.

### Objective

The purpose of this document is to provide guidance for the typical applications of FMS6151 in SAG and NoSAG environments. The FMS6151 is very flexible and robust, yet an inexpensive device which can excel in numerous system challenges with power supply settings as low as 2.5V.

### Applications

- Digital still cameras
- Camera phones
- Personal digital assistants
- Set top boxes
- Personal video recorders
- Portable media players
- Portable DVD players
- In cabin automotive entertainment
- GPS navigation displays
- Security monitoring

### Features

- Power down to less than 1 $\mu$ A
- Small, lead (Pb) free, Micropak packaging
- AC or DC coupled outputs
- DC coupled output eliminates need for AC coupling caps
- SAG correction reduces size of AC coupling caps
- 5th order 8MHz (SD) filter
- DC coupled input
- Fixed gain of 6dB

### Reference Material

- FMS6151 product data sheet
- FMS6151 demo board documentation

### FMS6151 NoSAG/AC Coupled Operation

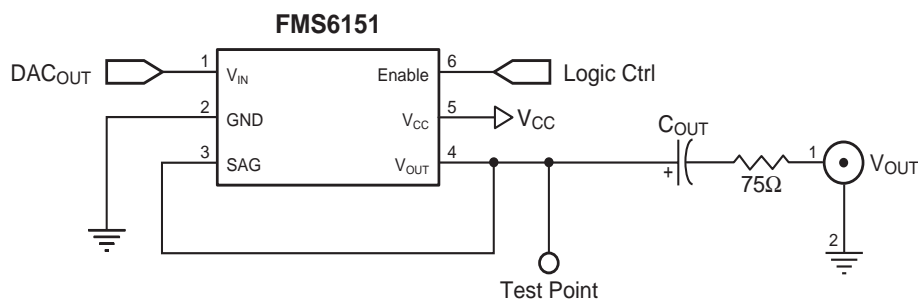


Figure 1. FMS6151 NoSAG/AC Coupled Output Application Configuration

Figure 1 is the configuration for the FMS6151 in a NoSAG/AC coupled output application. The FMS6151 is designed to be used with its input being driven by a ground based video DAC, but can also be operated with an AC coupled input. Since the device does not have a DC restore or clamp circuit the system designer will need to control the input common mode based on input video signal content,  $V_{CC}$  value and coupling method. There is a 200mV offset from ground at the output of the device and the output signal should be kept 50mV from the  $V_{CC}$  rail. Therefore with a  $1V_{pp}$  signal on the input, the output will be  $2V_{pp}$  which will allow a  $V_{CC}$  of 2.7V without clipping the output signal. Figure 2 shows the output of the FMS6151 with a FCC composite input. Figure 3 shows a  $1V_{pp}$  field square wave at the input, biased at the ground rail. Figure 4 shows the output offset from ground 200mV and Figure 5 shows the  $2V_{pp}$  output not clipped with a  $V_{CC}$  of 2.7V.

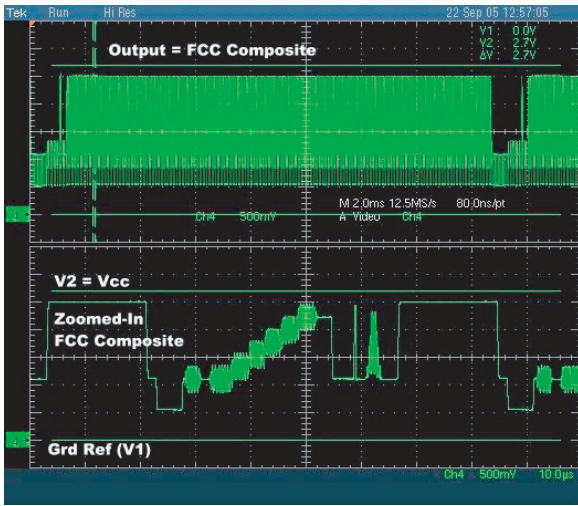


Figure 2. Output of the FMS6151 with a FCC Composite Input

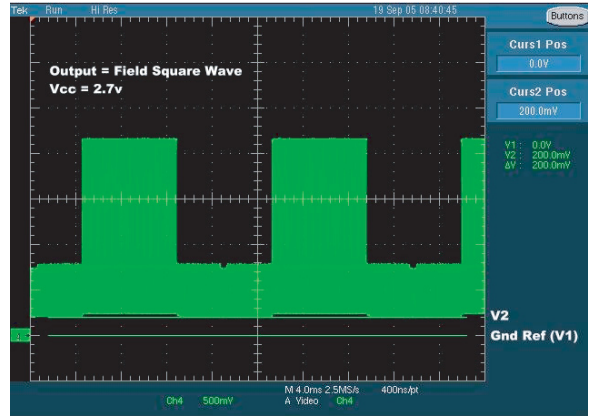


Figure 4. The Output Offset from Ground by 200mV

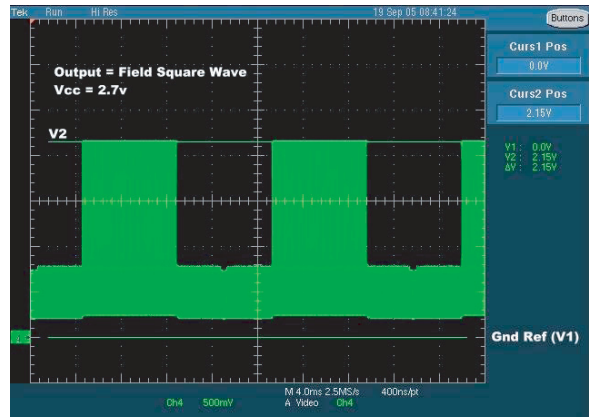


Figure 5.  $2V_{pp}$  Output Not Clipped with a  $V_{CC}$  of 2.7V

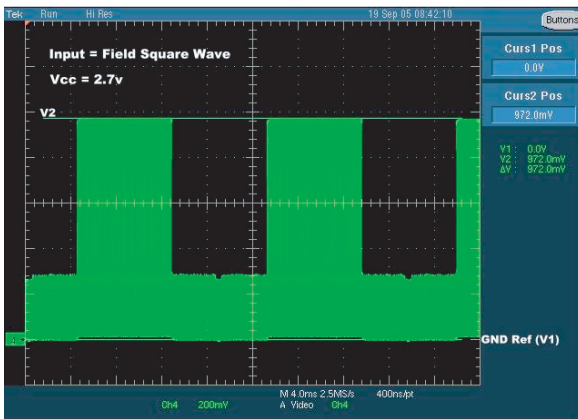


Figure 3.  $1V_{pp}$  Field Square Wave at the Input, Biased at the Ground Rail

## FMS6151 Sag Operation

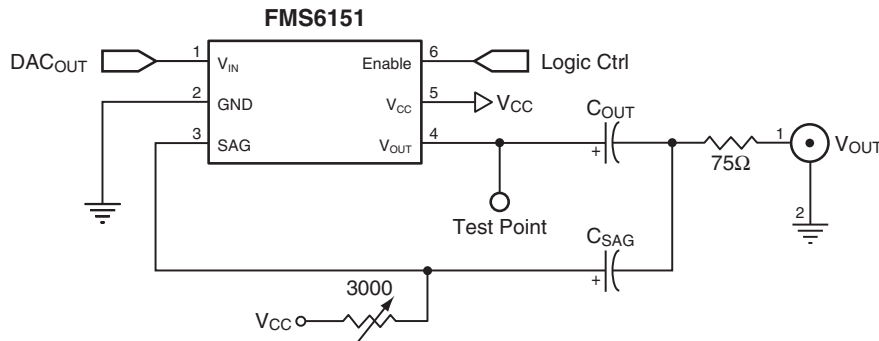


Figure 6. FMS6151 Device Configured for Operation Diagram

Figure 6 shows the device configured for operation in an application where the physical size of a 220 $\mu$ F capacitor is unacceptable. The recommend standard values for this operation are  $C_{OUT} = 47\mu$ F and  $C_{SAG} = 22\mu$ F. The FMS6151 is designed to use the SAG pin to compensate for the smaller capacitors and still have acceptable signal field tilt. The SAG function works by using the negative feedback pin to pre-compensate tilt caused by the  $C_{out}$  low frequency time constant. The tilt can be compensated more by replacing  $C_{OUT}$  with a 68 $\mu$ F or larger capacitor until the desired tilt is achieved. The SAG function has an 800mV offset at the output which is caused by a combination of signal content, SAG function 3x gain at low frequency, and the 47 $\mu$ F cap. By adding approximately 3k $\Omega$  between the SAG pin and  $V_{CC}$  the output can be shifted to approximately 50mv off the ground rail which then will allow for operation down to a  $V_{CC}$  of 2.7V. The device can be operated at a  $V_{CC}$  of 2.5V without clipping the output if the signal content is not a worst case Field Square Wave, but a signal such as Color Bars. Figure 7 shows the output of the device setting 800mV above ground and with a  $V_{CC}$  of 2.7V, the output is clipped. Figure 8 shows the unclipped output of the device accomplished by offsetting the SAG pin through approximately a 3k $\Omega$  resistor to  $V_{CC}$ .

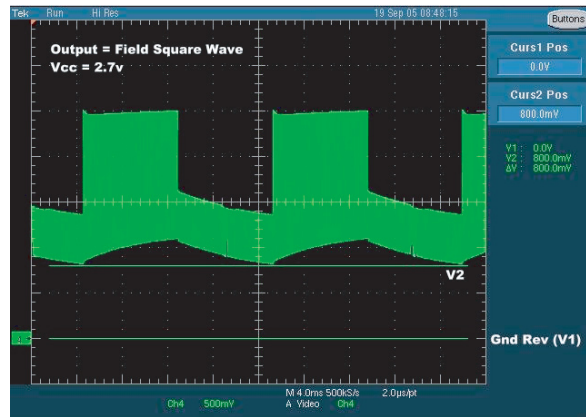


Figure 7. The Output of the Device Setting 800mV Above Ground and with a  $V_{CC}$  of 2.7V, the Top of the Waveform is Clipped

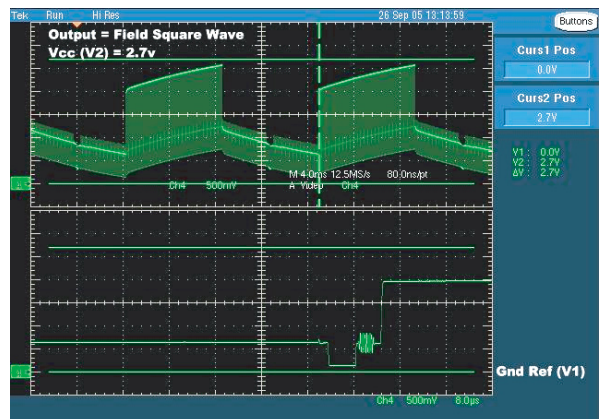
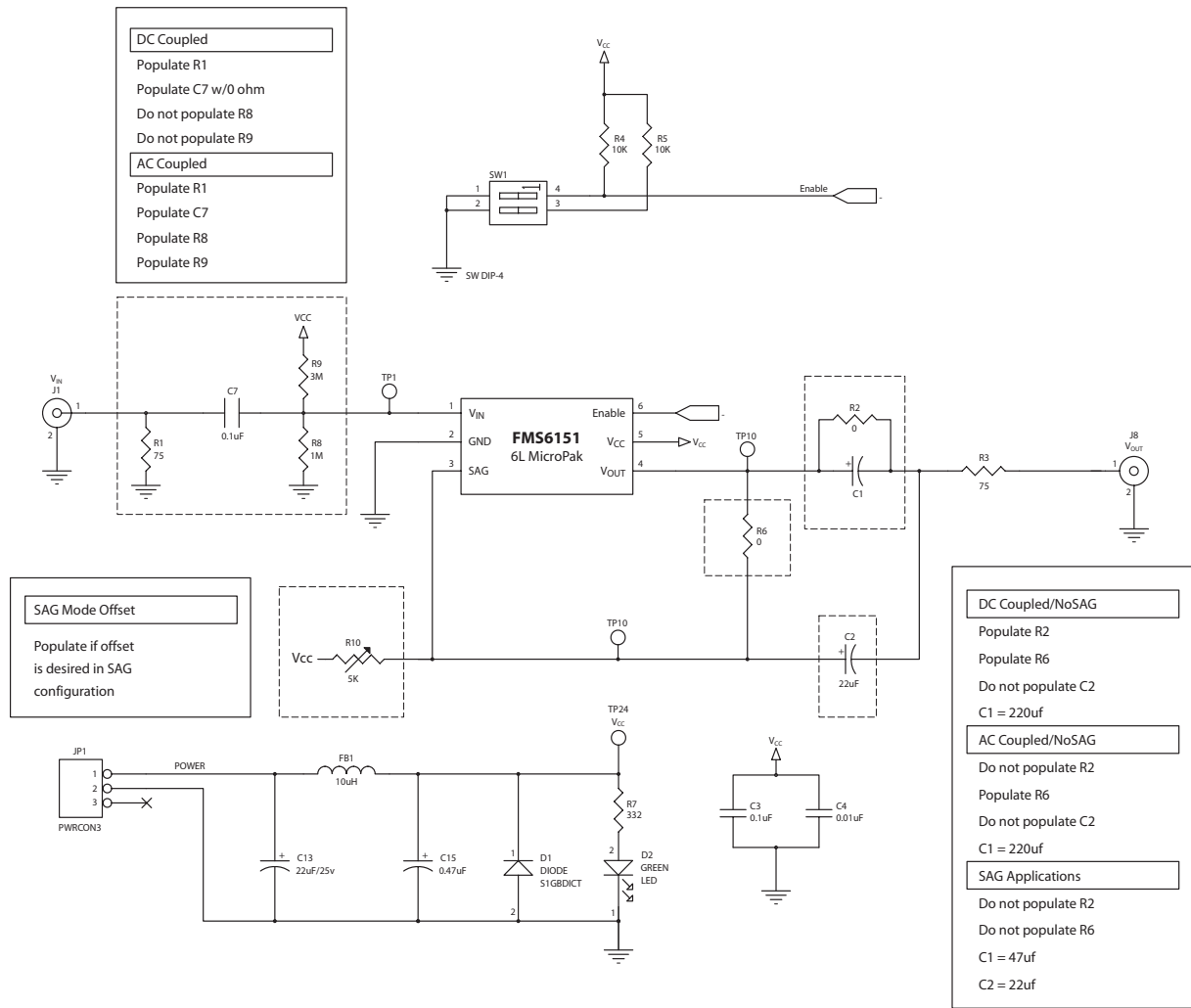


Figure 8. The Unclipped Output, Centered Between the Ground Rail and the 2.7V  $V_{CC}$  Rail

### FMS6151 NoSAG/SAG Demo Board



**TRADEMARKS**

The following are registered and unregistered trademarks Fairchild Semiconductor owns or is authorized to use and is not intended to be an exhaustive list of all such trademarks.

ACEx™	FAST®	ISOPLANAR™	PowerSaver™	SuperSOT™-8
ActiveArray™	FASTr™	LittleFET™	PowerTrench®	SyncFET™
Bottomless™	FPST™	MICROCOUPLER™	QFET®	TinyLogic®
Build it Now™	FRFET™	MicroFET™	QS™	TINYOPTO™
CoolFET™	GlobalOptoisolator™	MicroPak™	QT Optoelectronics™	TruTranslation™
CROSSVOLT™	GTO™	MICROWIRE™	Quiet Series™	UHC™
DOMET™	HiSeC™	MSX™	RapidConfigure™	UltraFET®
EcoSPARK™	I <sup>2</sup> C™	MSXPro™	RapidConnect™	UniFET™
E <sup>2</sup> CMOS™	i-Lo™	OCX™	µSerDes™	VCX™
EnSigna™	ImpliedDisconnect™	OCXPro™	SILENT SWITCHER®	Wire™
FACT™	IntelliMAX™	OPTOLOGIC®	SMART START™	
FACT Quiet Series™		OPTOPLANAR™	SPM™	
Across the board. Around the world.™		PACMAN™	Stealth™	
The Power Franchise®		POP™	SuperFET™	
Programmable Active Droop™		Power247™	SuperSOT™-3	
		PowerEdge™	SuperSOT™-6	

**DISCLAIMER**

FAIRCHILD SEMICONDUCTOR RESERVES THE RIGHT TO MAKE CHANGES WITHOUT FURTHER NOTICE TO ANY PRODUCTS HEREIN TO IMPROVE RELIABILITY, FUNCTION OR DESIGN. FAIRCHILD DOES NOT ASSUME ANY LIABILITY ARISING OUT OF THE APPLICATION OR USE OF ANY PRODUCT OR CIRCUIT DESCRIBED HEREIN; NEITHER DOES IT CONVEY ANY LICENSE UNDER ITS PATENT RIGHTS, NOR THE RIGHTS OF OTHERS.

**LIFE SUPPORT POLICY**

FAIRCHILD'S PRODUCTS ARE NOT AUTHORIZED FOR USE AS CRITICAL COMPONENTS IN LIFE SUPPORT DEVICES OR SYSTEMS WITHOUT THE EXPRESS WRITTEN APPROVAL OF FAIRCHILD SEMICONDUCTOR CORPORATION. As used herein:

- |   |   |
|---|---|
| <p>1. Life support devices or systems are devices or systems which, (a) are intended for surgical implant into the body, or (b) support or sustain life, or (c) whose failure to perform when properly used in accordance with instructions for use provided in the labeling, can be reasonably expected to result in significant injury to the user.</p> | <p>2. A critical component is any component of a life support device or system whose failure to perform can be reasonably expected to cause the failure of the life support device or system, or to affect its safety or effectiveness.</p> |
|---|---|

**PRODUCT STATUS DEFINITIONS**

**Definition of Terms**

Datasheet Identification	Product Status	Definition
Advance Information	Formative or In Design	This datasheet contains the design specifications for product development. Specifications may change in any manner without notice.
Preliminary	First Production	This datasheet contains preliminary data, and supplementary data will be published at a later date. Fairchild Semiconductor reserves the right to make changes at any time without notice in order to improve design.
No Identification Needed	Full Production	This datasheet contains final specifications. Fairchild Semiconductor reserves the right to make changes at any time without notice in order to improve design.
Obsolete	Not In Production	This datasheet contains specifications on a product that has been discontinued by Fairchild semiconductor. The datasheet is printed for reference information only.

Rev. 116



ON Semiconductor and  are trademarks of Semiconductor Components Industries, LLC dba ON Semiconductor or its subsidiaries in the United States and/or other countries. ON Semiconductor owns the rights to a number of patents, trademarks, copyrights, trade secrets, and other intellectual property. A listing of ON Semiconductor's product/patent coverage may be accessed at [www.onsemi.com/site/pdf/Patent-Marking.pdf](http://www.onsemi.com/site/pdf/Patent-Marking.pdf). ON Semiconductor reserves the right to make changes without further notice to any products herein. ON Semiconductor makes no warranty, representation or guarantee regarding the suitability of its products for any particular purpose, nor does ON Semiconductor assume any liability arising out of the application or use of any product or circuit, and specifically disclaims any and all liability, including without limitation special, consequential or incidental damages. Buyer is responsible for its products and applications using ON Semiconductor products, including compliance with all laws, regulations and safety requirements or standards, regardless of any support or applications information provided by ON Semiconductor. "Typical" parameters which may be provided in ON Semiconductor data sheets and/or specifications can and do vary in different applications and actual performance may vary over time. All operating parameters, including "Typicals" must be validated for each customer application by customer's technical experts. ON Semiconductor does not convey any license under its patent rights nor the rights of others. ON Semiconductor products are not designed, intended, or authorized for use as a critical component in life support systems or any FDA Class 3 medical devices or medical devices with a same or similar classification in a foreign jurisdiction or any devices intended for implantation in the human body. Should Buyer purchase or use ON Semiconductor products for any such unintended or unauthorized application, Buyer shall indemnify and hold ON Semiconductor and its officers, employees, subsidiaries, affiliates, and distributors harmless against all claims, costs, damages, and expenses, and reasonable attorney fees arising out of, directly or indirectly, any claim of personal injury or death associated with such unintended or unauthorized use, even if such claim alleges that ON Semiconductor was negligent regarding the design or manufacture of the part. ON Semiconductor is an Equal Opportunity/Affirmative Action Employer. This literature is subject to all applicable copyright laws and is not for resale in any manner.

## PUBLICATION ORDERING INFORMATION

### LITERATURE FULFILLMENT:

Literature Distribution Center for ON Semiconductor  
19521 E. 32nd Pkwy, Aurora, Colorado 80011 USA  
**Phone:** 303-675-2175 or 800-344-3860 Toll Free USA/Canada  
**Fax:** 303-675-2176 or 800-344-3867 Toll Free USA/Canada  
**Email:** [orderlit@onsemi.com](mailto:orderlit@onsemi.com)

**N. American Technical Support:** 800-282-9855 Toll Free  
USA/Canada  
**Europe, Middle East and Africa Technical Support:**  
Phone: 421 33 790 2910  
**Japan Customer Focus Center**  
Phone: 81-3-5817-1050

**ON Semiconductor Website:** [www.onsemi.com](http://www.onsemi.com)  
**Order Literature:** <http://www.onsemi.com/orderlit>  
For additional information, please contact your local  
Sales Representative