

ON Semiconductor

Is Now

The logo for onsemi, featuring the word "onsemi" in a dark teal, lowercase, sans-serif font. The letter "i" is stylized with a white dot and a teal vertical bar. A small orange triangle is positioned above the top right of the "i". A trademark symbol (TM) is located to the right of the logo.

To learn more about onsemi™, please visit our website at
www.onsemi.com

onsemi and **onsemi** and other names, marks, and brands are registered and/or common law trademarks of Semiconductor Components Industries, LLC dba "**onsemi**" or its affiliates and/or subsidiaries in the United States and/or other countries. **onsemi** owns the rights to a number of patents, trademarks, copyrights, trade secrets, and other intellectual property. A listing of **onsemi** product/patent coverage may be accessed at www.onsemi.com/site/pdf/Patent-Marking.pdf. **onsemi** reserves the right to make changes at any time to any products or information herein, without notice. The information herein is provided "as-is" and **onsemi** makes no warranty, representation or guarantee regarding the accuracy of the information, product features, availability, functionality, or suitability of its products for any particular purpose, nor does **onsemi** assume any liability arising out of the application or use of any product or circuit, and specifically disclaims any and all liability, including without limitation special, consequential or incidental damages. Buyer is responsible for its products and applications using **onsemi** products, including compliance with all laws, regulations and safety requirements or standards, regardless of any support or applications information provided by **onsemi**. "Typical" parameters which may be provided in **onsemi** data sheets and/or specifications can and do vary in different applications and actual performance may vary over time. All operating parameters, including "Typicals" must be validated for each customer application by customer's technical experts. **onsemi** does not convey any license under any of its intellectual property rights nor the rights of others. **onsemi** products are not designed, intended, or authorized for use as a critical component in life support systems or any FDA Class 3 medical devices or medical devices with a same or similar classification in a foreign jurisdiction or any devices intended for implantation in the human body. Should Buyer purchase or use **onsemi** products for any such unintended or unauthorized application, Buyer shall indemnify and hold **onsemi** and its officers, employees, subsidiaries, affiliates, and distributors harmless against all claims, costs, damages, and expenses, and reasonable attorney fees arising out of, directly or indirectly, any claim of personal injury or death associated with such unintended or unauthorized use, even if such claim alleges that **onsemi** was negligent regarding the design or manufacture of the part. **onsemi** is an Equal Opportunity/Affirmative Action Employer. This literature is subject to all applicable copyright laws and is not for resale in any manner. Other names and brands may be claimed as the property of others.



Is Now Part of



ON Semiconductor®

To learn more about ON Semiconductor, please visit our website at
www.onsemi.com

ON Semiconductor and the ON Semiconductor logo are trademarks of Semiconductor Components Industries, LLC dba ON Semiconductor or its subsidiaries in the United States and/or other countries. ON Semiconductor owns the rights to a number of patents, trademarks, copyrights, trade secrets, and other intellectual property. A listing of ON Semiconductor's product/patent coverage may be accessed at www.onsemi.com/site/pdf/Patent-Marking.pdf. ON Semiconductor reserves the right to make changes without further notice to any products herein. ON Semiconductor makes no warranty, representation or guarantee regarding the suitability of its products for any particular purpose, nor does ON Semiconductor assume any liability arising out of the application or use of any product or circuit, and specifically disclaims any and all liability, including without limitation special, consequential or incidental damages. Buyer is responsible for its products and applications using ON Semiconductor products, including compliance with all laws, regulations and safety requirements or standards, regardless of any support or applications information provided by ON Semiconductor. "Typical" parameters which may be provided in ON Semiconductor data sheets and/or specifications can and do vary in different applications and actual performance may vary over time. All operating parameters, including "Typicals" must be validated for each customer application by customer's technical experts. ON Semiconductor does not convey any license under its patent rights nor the rights of others. ON Semiconductor products are not designed, intended, or authorized for use as a critical component in life support systems or any FDA Class 3 medical devices or medical devices with a same or similar classification in a foreign jurisdiction or any devices intended for implantation in the human body. Should Buyer purchase or use ON Semiconductor products for any such unintended or unauthorized application, Buyer shall indemnify and hold ON Semiconductor and its officers, employees, subsidiaries, affiliates, and distributors harmless against all claims, costs, damages, and expenses, and reasonable attorney fees arising out of, directly or indirectly, any claim of personal injury or death associated with such unintended or unauthorized use, even if such claim alleges that ON Semiconductor was negligent regarding the design or manufacture of the part. ON Semiconductor is an Equal Opportunity/Affirmative Action Employer. This literature is subject to all applicable copyright laws and is not for resale in any manner.

AN-4188

Guidance of Using LED Direct-AC Driver Design Tool for FL77904/FL77944/FL77905

Overview

This application note provides a step-by-step guide for using the LED Direct-AC Driver Design Tool (DACD Design Tool).

Design Flow

The flow of using the DACD design tool is drawn in Figure 1. Based on requested system specification and selected

LED part number, the design tool helps users to design LED-string configuration and driving currents of the driver IC. You may refer to [AN-5088](#) [1] for detailed explanation for operating principle of the driver IC.

The design tool's appearance is like Figure 2. It can be separated into five sections with assistive figures. How to use these five sections are explained step-by-step in the following paragraphs.

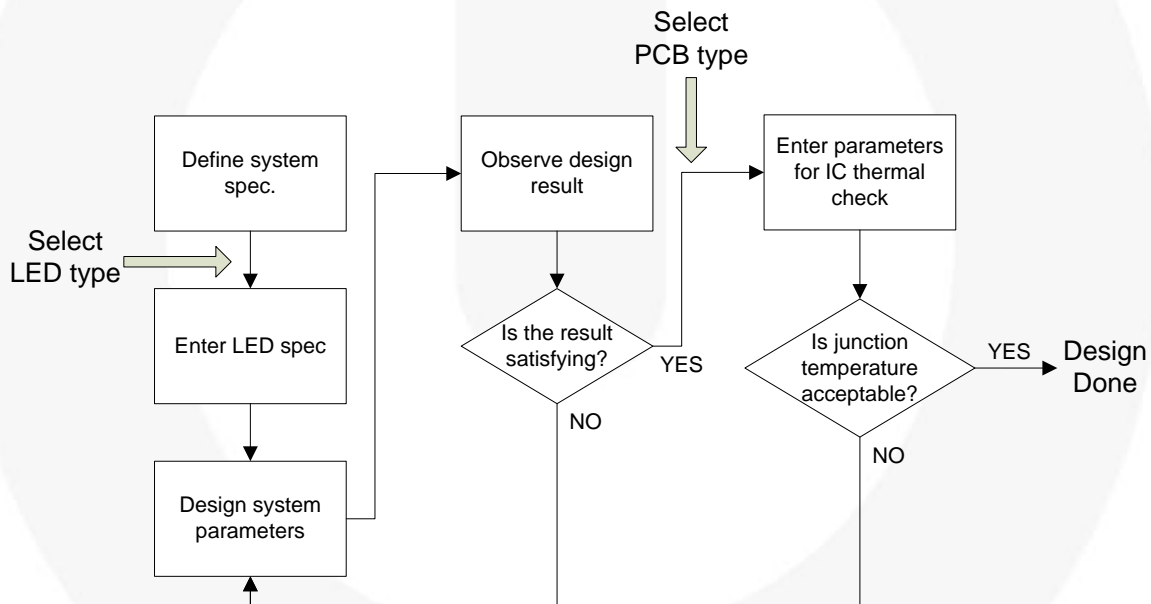


Figure 1. Flow Chart of Using DACD Design Tool

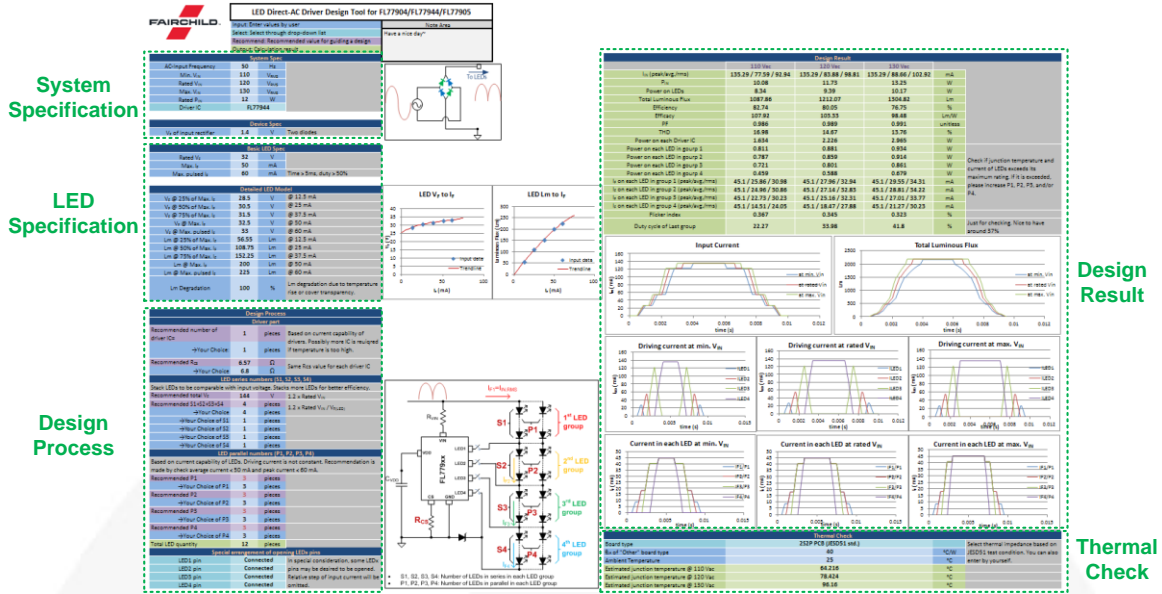


Figure 2. Appearance of the DACD Design Tool

Step 1: Entering Defined System Specification

In the System Spec section, rated input voltage and input power need to be entered. The Driver IC grid is a drop-down list. You can choose which driver IC you want to design with. Forward-voltage drop of input bridge rectifier also needs to be filled in the design tool.

Instead of starting a design with rated input power, you may want to start the design process with a targeted luminous flux (light output). In that case, you can roughly predict input power by Equation (1) in which the driver efficiency can be set as 80% at start. LED efficacy can be obtained from the LED data sheet.

$$P_{IN} (W) = \frac{\text{Luminous Flux (Lm)}}{\text{LED Efficacy (Lm/W)} \times \text{Driver Efficiency (W/W)}} \quad (1)$$

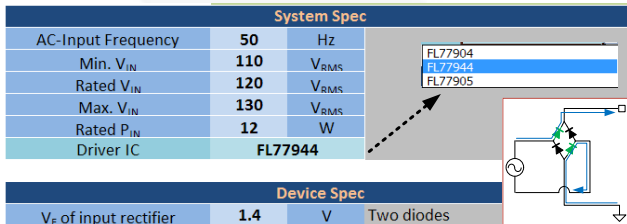


Figure 3. System-Specification Section

Step 2: Entering Specification of Chosen LED

There are two sections for LED spec, a “basic” section and a “detailed” section. Inputs in the basic section are used in the design-process section, which guides users to decide how many LEDs need to be used. The detailed section is for generating a much realistic LED model for calculating predicted outcome in design-result section.

You may already have the LED part number that you are going to implement. In a DACD system, total forward voltage of the LED string needs to be comparable with the peak value of input voltage. High-voltage type LEDs could be favored when design a low-wattage system with small area constrain.

Basic LED Spec			
Rated V _F	32	V	
Max. I _F	50	mA	
Max. pulsed I _F	60	mA	Time > 5ms, duty > 50%
Detailed LED Model			
V _F @ 25% of Max. I _F	28.5	V	@ 12.5 mA
V _F @ 50% of Max. I _F	30.5	V	@ 25 mA
V _F @ 75% of Max. I _F	31.5	V	@ 37.5 mA
V _F @ Max. I _F	32.5	V	@ 50 mA
V _F @ Max. pulsed I _F	33	V	@ 60 mA
Lm @ 25% of Max. I _F	56.55	Lm	@ 12.5 mA
Lm @ 50% of Max. I _F	108.75	Lm	@ 25 mA
Lm @ 75% of Max. I _F	152.25	Lm	@ 37.5 mA
Lm @ Max. I _F	200	Lm	@ 50 mA
Lm @ Max. pulsed I _F	225	Lm	@ 60 mA
Lm Degradation	100	%	Lm degradation due to temperature rise or cover transparency.

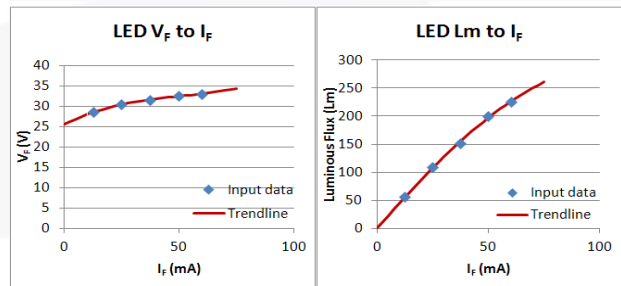


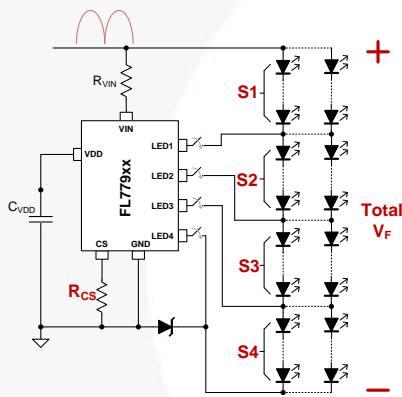
Figure 4. LED-Specification Section

Step 3: Design System Parameters

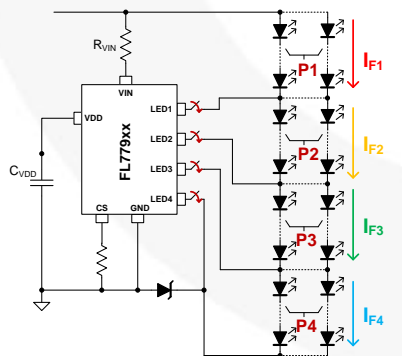
The design process section of the tool guides user to decide;

1. How many driver IC need to be applied
2. Resistance value of current-sensing resistor (R_{CS})
3. How many LEDs need to be put in series (S1, S2, S3, S4)
4. How many LEDs need to be put in parallel for each LED group (P1, P2, P3, P4)

The first and second items are about the driver, and the third and fourth items are for LED-string configuration. The driver part considers driver IC's current capability, not thermal constrain, and the rated input power in system-specification section. The series quantity considers peak value of input voltage since the DACD system requires total forward voltage of the LED string to be comparable with the input voltage. The LED string is then separated into several groups. The parallel quantity of each LED group considers peak and average current that will flow through the LED group.



(a) Total Series Quantity



(b) Parallel Quantity of each LED Group

Figure 5. Considerations of Designing LED String

The design tool provides recommended value of these quantities. But, you still need to enter the value that you want to select. If the value that you input is not proper, a warning message will be shown. You can also ignore the warning if you insist on your input and think that the outcome in design-result section is acceptable. Note that you

have to decide yourself how to separate the total series quantity into each LED group. Start with evenly-separated design if you have no special idea about it.

Design Process			
Driver part			
Recommended number of driver IC=	1	pieces	Based on current capability of drivers. Possibly more IC is required if temperature is too high.
→Your Choice:	1	pieces	
Recommended R_{CS}	6.57	Ω	Same R_{CS} value for each driver IC
→Your Choice	6.8	Ω	
LED series numbers (S1, S2, S3, S4)			
Stack LEDs to be comparable with input voltage. Stacks more LEDs for better efficiency.			
Recommended total V_F	144	V	1.2 x Rated V_{IN}
Recommended S1+S2+S3+S4	4	pieces	1.2 x Rated $V_{IN} / V_{F(LED)}$
→Your Choice	4	pieces	
→Your Choice of S1	1	pieces	
→Your Choice of S2	1	pieces	
→Your Choice of S3	1	pieces	
→Your Choice of S4	1	pieces	
LED parallel numbers (P1, P2, P3, P4)			
Based on current capability of LEDs. Driving current is not constant. Recommendation is made by check average current < 50 mA and peak current < 60 mA.			
Recommended P1	3	pieces	
→Your Choice of P1	3	pieces	
Recommended P2	3	pieces	
→Your Choice of P2	3	pieces	
Recommended P3	3	pieces	
→Your Choice of P3	3	pieces	
Recommended P4	3	pieces	
→Your Choice of P4	3	pieces	
Total LED quantity	12	pieces	
Special arrangement of opening LEDx pins			
LED1 pin	Connected	In special consideration, some LEDx pins may be desired to be opened.	
LED2 pin	Connected		
LED3 pin	Connected		
LED4 pin	Connected		

Figure 6. Design-Process Section

Both FL77904 and FL77944 have four LED driving pins, so a total of four LED groups can be assigned. There are only three LED driving pins in FL77905, so S4 and P4 need to be zero when applying FL77905.

In some special design consideration, you may want to use less driving pins than provided. For example, you may want to bypass LED1 to have a higher minimum conducting current, or the LED you chose has a forward voltage spec that is too high for connecting four of them in series. In such cases, the special-arrangement section has drop-down list that you can indicated that you want some LED driving pins to be opened.

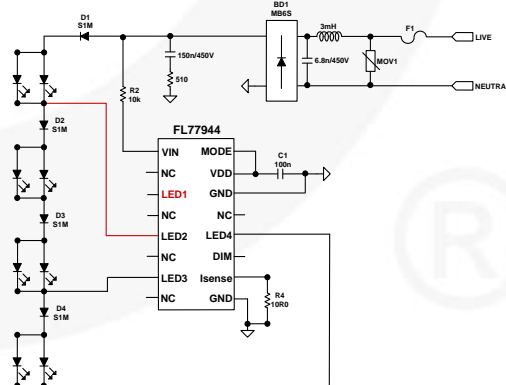


Figure 7. An Example that LED1 Pin is Opened

Step 4: Check Design Result

Through previous steps, we come to a complete design of driver and LED-string configuration. Based on the design, the design tool calculates outcomes like luminous flux, Total Harmonic Distortion (THD), and power dissipated on driver and LEDs. Now, you check if all these values fulfill system requirement. If not, you need to change the designed parameters in previous steps. For example,

- Luminous flux is too high/low → Decrease/increase input power (P_{IN}) and increase/decrease current-sensing resistor (R_{CS}).
- Efficacy is too low → Increase LED parallel quantity P1~P4 or switch to LED part number with better efficacy.

- Power or current on each LED is too high → Increase LED parallel quantity P1~P4
- Duty cycle of last LED group is too low → Decrease S1+S2+S3+S4.
- THD is not good → Adjust S1~S4 while keep summation of them unchanged.

The design outcome is also presented as waveforms shown in Figure 9. When more than one driver IC is implemented, the driving current figures stand for summed driving current of all the drivers.

	Design Result			
	110 Vac	120 Vac	130 Vac	
I_{IN} (peak/avg./rms)	135.29 / 77.59 / 92.94	135.29 / 83.88 / 98.81	135.29 / 88.66 / 102.92	mA
P_{IN}	10.08	11.73	13.25	W
Power on LEDs	8.34	9.39	10.17	W
Total Luminous Flux	1087.86	1212.07	1304.82	Lm
Efficiency	82.74	80.05	76.75	%
Efficacy	107.92	103.33	98.48	Lm/W
PF	0.986	0.989	0.991	unitless
THD	16.98	14.67	13.76	%
Power on each Driver IC	1.634	2.226	2.965	W
Power on each LED in group 1	0.811	0.881	0.934	W
Power on each LED in group 2	0.787	0.859	0.914	W
Power on each LED in group 3	0.721	0.801	0.861	W
Power on each LED in group 4	0.459	0.588	0.679	W
I_F on each LED in group 1 (peak/avg./rms)	45.1 / 25.86 / 30.98	45.1 / 27.96 / 32.94	45.1 / 29.55 / 34.31	mA
I_F on each LED in group 2 (peak/avg./rms)	45.1 / 24.96 / 30.86	45.1 / 27.14 / 32.83	45.1 / 28.81 / 34.22	mA
I_F on each LED in group 3 (peak/avg./rms)	45.1 / 22.73 / 30.23	45.1 / 25.16 / 32.31	45.1 / 27.01 / 33.77	mA
I_F on each LED in group 4 (peak/avg./rms)	45.1 / 14.51 / 24.05	45.1 / 18.47 / 27.88	45.1 / 21.27 / 30.23	mA
Flicker index	0.367	0.345	0.323	%
Duty cycle of Last group	22.27	33.98	41.8	%

Check if junction temperature and current of LEDs exceeds its maximum rating. If it is exceeded, please increase P1, P2, P3, and/or P4.

Just for checking. Nice to have around 37%

Figure 8. Predicted Outcomes of the Design Result

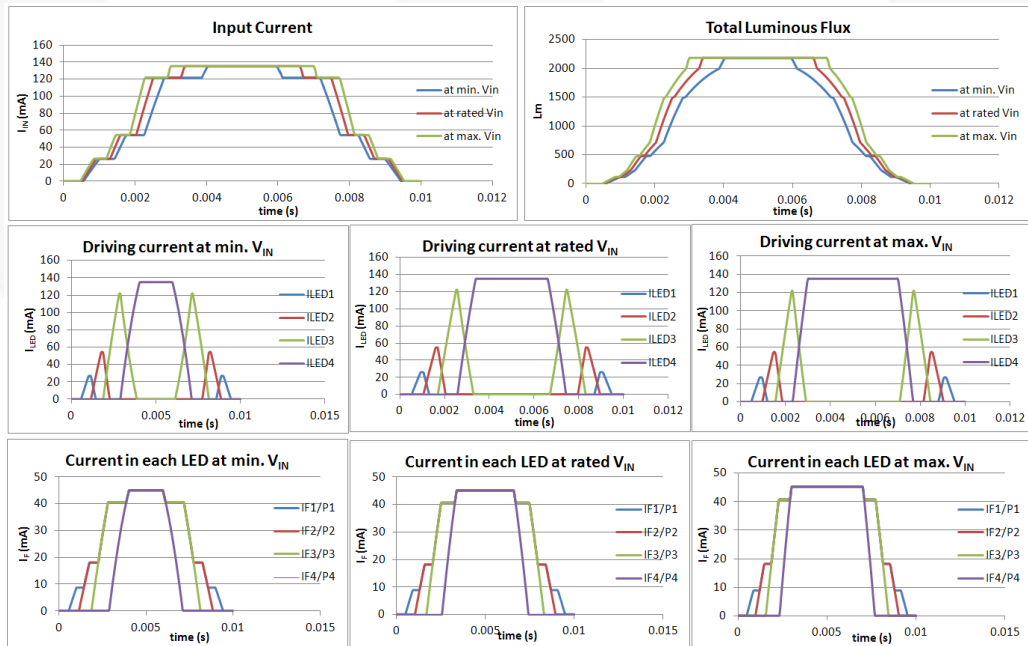


Figure 9. Predicted Waveforms of the Design Result

Step 5: Check Junction Temperature of the Driver ICs

The last step is to check junction temperature of the driver IC. There is a drop-down list for “board type” input. When “1S” or “2S2P” is chosen, the design tool uses junction-to-air thermal impedance (θ_{JA}) value on the datasheet of the picked driver IC to predict junction temperature. If “Other” is chosen, you can enter your own predicted θ_{JA} for calculating junction temperature. If the junction temperature

is higher than recommended operating temperature range or threshold of over-temperature protection, there will be a warning message. When warning message appears, you may:

- Increase total LED forward voltage by increasing S1+S2+S3+S4.
- Or, you may also increase quantity of driver IC.

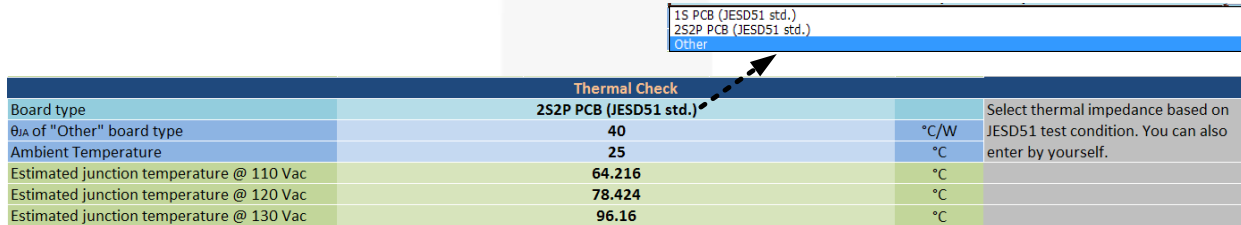


Figure 10. Thermal-check Section

References

- [1] [*“AN-5088 Designing for High Performance Commercial and Industrial Lighting Solution Using FL77944 High Power LED Direct AC Driver,” Fairchild Semiconductor, July 2016.*](#)

Related Datasheets

[FL77904 Phase-cut Dimmable Compact LED Direct AC Driver](#)

[FL77905 Analog/PWM/Phase-cut Dimmable Compact LED Direct AC Driver](#)

[FL77944 Analog/PWM Dimmable High Power LED Direct AC Driver](#)

DISCLAIMER

FAIRCHILD SEMICONDUCTOR RESERVES THE RIGHT TO MAKE CHANGES WITHOUT FURTHER NOTICE TO ANY PRODUCTS HEREIN TO IMPROVE RELIABILITY, FUNCTION, OR DESIGN. FAIRCHILD DOES NOT ASSUME ANY LIABILITY ARISING OUT OF THE APPLICATION OR USE OF ANY PRODUCT OR CIRCUIT DESCRIBED HEREIN; NEITHER DOES IT CONVEY ANY LICENSE UNDER ITS PATENT RIGHTS, NOR THE RIGHTS OF OTHERS.

LIFE SUPPORT POLICY

FAIRCHILD'S PRODUCTS ARE NOT AUTHORIZED FOR USE AS CRITICAL COMPONENTS IN LIFE SUPPORT DEVICES OR SYSTEMS WITHOUT THE EXPRESS WRITTEN APPROVAL OF THE PRESIDENT OF FAIRCHILD SEMICONDUCTOR CORPORATION.

As used herein:

1. Life support devices or systems are devices or systems which, (a) are intended for surgical implant into the body, or (b) support or sustain life, or (c) whose failure to perform when properly used in accordance with instructions for use provided in the labeling, can be reasonably expected to result in significant injury to the user.
2. A critical component is any component of a life support device or system whose failure to perform can be reasonably expected to cause the failure of the life support device or system, or to affect its safety or effectiveness.

ON Semiconductor and  are trademarks of Semiconductor Components Industries, LLC dba ON Semiconductor or its subsidiaries in the United States and/or other countries. ON Semiconductor owns the rights to a number of patents, trademarks, copyrights, trade secrets, and other intellectual property. A listing of ON Semiconductor's product/patent coverage may be accessed at www.onsemi.com/site/pdf/Patent-Marking.pdf. ON Semiconductor reserves the right to make changes without further notice to any products herein. ON Semiconductor makes no warranty, representation or guarantee regarding the suitability of its products for any particular purpose, nor does ON Semiconductor assume any liability arising out of the application or use of any product or circuit, and specifically disclaims any and all liability, including without limitation special, consequential or incidental damages. Buyer is responsible for its products and applications using ON Semiconductor products, including compliance with all laws, regulations and safety requirements or standards, regardless of any support or applications information provided by ON Semiconductor. "Typical" parameters which may be provided in ON Semiconductor data sheets and/or specifications can and do vary in different applications and actual performance may vary over time. All operating parameters, including "Typicals" must be validated for each customer application by customer's technical experts. ON Semiconductor does not convey any license under its patent rights nor the rights of others. ON Semiconductor products are not designed, intended, or authorized for use as a critical component in life support systems or any FDA Class 3 medical devices or medical devices with a same or similar classification in a foreign jurisdiction or any devices intended for implantation in the human body. Should Buyer purchase or use ON Semiconductor products for any such unintended or unauthorized application, Buyer shall indemnify and hold ON Semiconductor and its officers, employees, subsidiaries, affiliates, and distributors harmless against all claims, costs, damages, and expenses, and reasonable attorney fees arising out of, directly or indirectly, any claim of personal injury or death associated with such unintended or unauthorized use, even if such claim alleges that ON Semiconductor was negligent regarding the design or manufacture of the part. ON Semiconductor is an Equal Opportunity/Affirmative Action Employer. This literature is subject to all applicable copyright laws and is not for resale in any manner.

PUBLICATION ORDERING INFORMATION

LITERATURE FULFILLMENT:

Literature Distribution Center for ON Semiconductor
19521 E. 32nd Pkwy, Aurora, Colorado 80011 USA
Phone: 303-675-2175 or 800-344-3860 Toll Free USA/Canada
Fax: 303-675-2176 or 800-344-3867 Toll Free USA/Canada
Email: orderlit@onsemi.com

N. American Technical Support: 800-282-9855 Toll Free
USA/Canada
Europe, Middle East and Africa Technical Support:
Phone: 421 33 790 2910
Japan Customer Focus Center
Phone: 81-3-5817-1050

ON Semiconductor Website: www.onsemi.com
Order Literature: <http://www.onsemi.com/orderlit>
For additional information, please contact your local
Sales Representative