

# ON Semiconductor

## Is Now

# onsemi™

To learn more about onsemi™, please visit our website at  
[www.onsemi.com](http://www.onsemi.com)

---

**onsemi** and **onsemi** and other names, marks, and brands are registered and/or common law trademarks of Semiconductor Components Industries, LLC dba "**onsemi**" or its affiliates and/or subsidiaries in the United States and/or other countries. **onsemi** owns the rights to a number of patents, trademarks, copyrights, trade secrets, and other intellectual property. A listing of **onsemi** product/patent coverage may be accessed at [www.onsemi.com/site/pdf/Patent-Marking.pdf](http://www.onsemi.com/site/pdf/Patent-Marking.pdf). **onsemi** reserves the right to make changes at any time to any products or information herein, without notice. The information herein is provided "as-is" and **onsemi** makes no warranty, representation or guarantee regarding the accuracy of the information, product features, availability, functionality, or suitability of its products for any particular purpose, nor does **onsemi** assume any liability arising out of the application or use of any product or circuit, and specifically disclaims any and all liability, including without limitation special, consequential or incidental damages. Buyer is responsible for its products and applications using **onsemi** products, including compliance with all laws, regulations and safety requirements or standards, regardless of any support or applications information provided by **onsemi**. "Typical" parameters which may be provided in **onsemi** data sheets and/or specifications can and do vary in different applications and actual performance may vary over time. All operating parameters, including "Typicals" must be validated for each customer application by customer's technical experts. **onsemi** does not convey any license under any of its intellectual property rights nor the rights of others. **onsemi** products are not designed, intended, or authorized for use as a critical component in life support systems or any FDA Class 3 medical devices or medical devices with a same or similar classification in a foreign jurisdiction or any devices intended for implantation in the human body. Should Buyer purchase or use **onsemi** products for any such unintended or unauthorized application, Buyer shall indemnify and hold **onsemi** and its officers, employees, subsidiaries, affiliates, and distributors harmless against all claims, costs, damages, and expenses, and reasonable attorney fees arising out of, directly or indirectly, any claim of personal injury or death associated with such unintended or unauthorized use, even if such claim alleges that **onsemi** was negligent regarding the design or manufacture of the part. **onsemi** is an Equal Opportunity/Affirmative Action Employer. This literature is subject to all applicable copyright laws and is not for resale in any manner. Other names and brands may be claimed as the property of others.



Is Now Part of



**ON Semiconductor®**

To learn more about ON Semiconductor, please visit our website at  
[www.onsemi.com](http://www.onsemi.com)

ON Semiconductor and the ON Semiconductor logo are trademarks of Semiconductor Components Industries, LLC dba ON Semiconductor or its subsidiaries in the United States and/or other countries. ON Semiconductor owns the rights to a number of patents, trademarks, copyrights, trade secrets, and other intellectual property. A listing of ON Semiconductor's product/patent coverage may be accessed at [www.onsemi.com/site/pdf/Patent-Marking.pdf](http://www.onsemi.com/site/pdf/Patent-Marking.pdf). ON Semiconductor reserves the right to make changes without further notice to any products herein. ON Semiconductor makes no warranty, representation or guarantee regarding the suitability of its products for any particular purpose, nor does ON Semiconductor assume any liability arising out of the application or use of any product or circuit, and specifically disclaims any and all liability, including without limitation special, consequential or incidental damages. Buyer is responsible for its products and applications using ON Semiconductor products, including compliance with all laws, regulations and safety requirements or standards, regardless of any support or applications information provided by ON Semiconductor. "Typical" parameters which may be provided in ON Semiconductor data sheets and/or specifications can and do vary in different applications and actual performance may vary over time. All operating parameters, including "Typicals" must be validated for each customer application by customer's technical experts. ON Semiconductor does not convey any license under its patent rights nor the rights of others. ON Semiconductor products are not designed, intended, or authorized for use as a critical component in life support systems or any FDA Class 3 medical devices or medical devices with a same or similar classification in a foreign jurisdiction or any devices intended for implantation in the human body. Should Buyer purchase or use ON Semiconductor products for any such unintended or unauthorized application, Buyer shall indemnify and hold ON Semiconductor and its officers, employees, subsidiaries, affiliates, and distributors harmless against all claims, costs, damages, and expenses, and reasonable attorney fees arising out of, directly or indirectly, any claim of personal injury or death associated with such unintended or unauthorized use, even if such claim alleges that ON Semiconductor was negligent regarding the design or manufacture of the part. ON Semiconductor is an Equal Opportunity/Affirmative Action Employer. This literature is subject to all applicable copyright laws and is not for resale in any manner.

# AN-4154

## MOSFETs for 60 W High-Power PoE Applications

### Summary

Power over Ethernet (PoE) introduces a new facet to Ethernet networking, delivering DC power through a Category 5E (CAT5E) network cable. It is convenient to install Power Devices (PD); such as IP telephones, wireless LAN access points, and security cameras; without any wall power lines because the CAT5E cable delivers data as well as the power required by those PDs. In addition, the Power Source Equipment (PSE) communicates to the PD first and provides the limited power to PD according to the power class of PD specified by IEEE802.3af and IEEE802.3at standards (see Table 1). The maximum PSE power in IEEE802.3af and IEEE802.3at is 15.4 W and 30 W, respectively. As devices become more complex and functional, they require more power than specified by IEEE 802.3af and IEEE 802.3at. By using four-pair architecture, up-to 60 W can be delivered to a power device. In this application note, four-pair architecture for 60 W high-power PoE is explained and Fairchild's power solutions are presented for an efficient PoE system.

**Table 1. IEEE802.3af/at PoE Classifications**

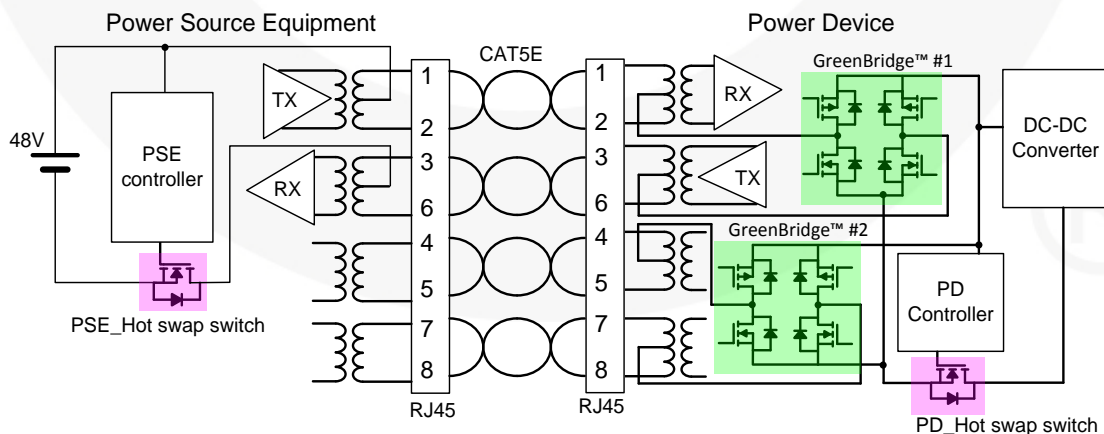
Class	IEEE 802.3af Max. PSE Power	IEEE 802.3at Max. PSE Power
0	15.4 W	30 W
1	4 W	4 W
2	7 W	7 W
3	15.4 W	15.4 W
4	15.4 W	30 W

### Four-Pair Architecture for High-Power PoE

Figure 1 and Figure 1 show two-pair architecture and four-pair architecture, respectively, to deliver the power and data throughout CAT5E cable from PSE to PD. The two-pair architecture delivers power in a single loop over two pairs of the CAT5E cable. Because CAT5E has a current limitation of 720 mA, two-pair architecture has an available power limitation of 30 W delivered power. In four-pair architecture, up to 60 W available power is possible; delivered to the PD with two current loops over all four pairs at the same time. There are two power devices on the current loop, bridge circuit and hot swap switch, which are the critical to the system reliability.

### GreenBridge™

One of main design considerations of the four-pair architecture is to balance the current of two current loops. When a diode bridge is used for polarity protection in the PD, the designer should consider the thermal rush in diode bridge due to the negative temperature coefficient in the worst imbalance current loop. As the junction temperature of diode increases, the forward voltage decreases, resulting in even more current flowing in the hotter diode bridge. Some semiconductor makers propose balance circuits to use extra BJTs, but it adds costs and makes circuit complex.



**Figure 1. Two-Pair Architecture PoE System**

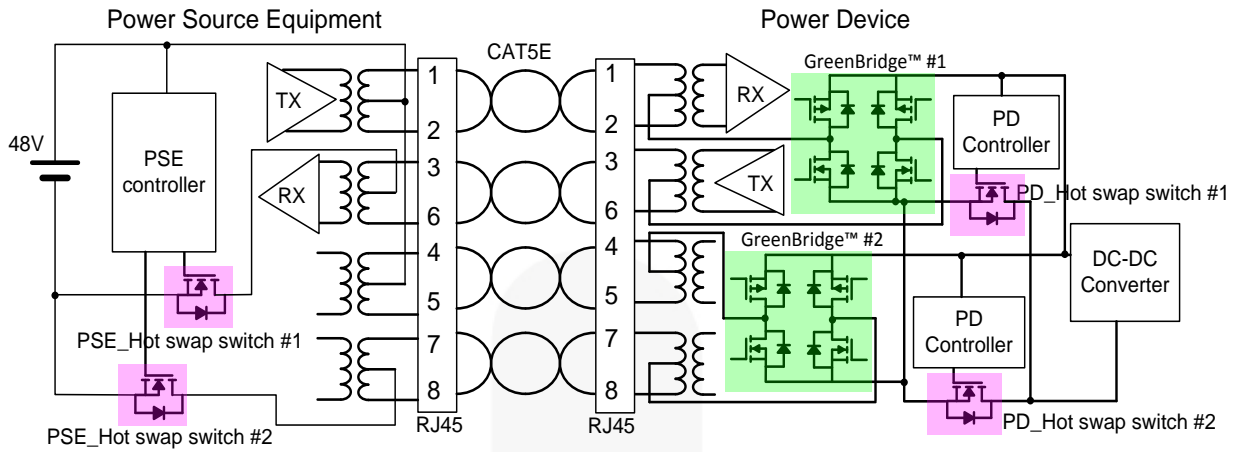


Figure 2. Four-Pair Architecture PoE System

Fairchild’s GreenBridge™ solution resolves the imbalance problem of two current loops because a MOSFET has a positive temperature coefficient. If GreenBridge #1 on the current loop of 1 and 2 and 3 and 6 pins pair of RJ45 is hotter due to the imbalance current, GreenBridge #1’s  $R_{DS(ON)}$  increases more than GreenBridge #2 on the current loop of 4 and 5 and 7 and 8 pins pair of RJ45. It reduces the current in the GreenBridge #1 and forces more current to flow in GreenBridge #2. The other advantage of GreenBridge is reduced power loss in bridge circuits. The power dissipation of diode bridge due to the conduction loss is calculated by:

$$= 2 \times V_F \times I \tag{1}$$

GreenBridge power loss is calculated by:

$$= I^2 \times R_{DS(ON)\_Pch} + I^2 \times R_{DS(ON)\_Nch} \tag{2}$$

In case of a 60 W PoE system, GreenBridge FDMQ8203 is used, which integrates dual P-channel and dual N-channel MOSFETs in a compact and thermally enhanced package. Table 2 shows the GreenBridge FDMQ8203 electrical and thermal parameters. Each power loss of FDMQ8203 and general diode bridge is calculated and compared. Minimum input voltage of the PD is 42.5 V, specified by IEEE802.3at, so the minimum input current is 1.43 A at 60 W output power and each current per bridge is 0.715 A in four pairs.

- Two GreenBridge power losses are calculated by:  
 $= (0.715^2 \text{A} \times 110\text{m}\Omega + 0.715^2 \text{A} \times 190\text{m}\Omega) \times 2 = 0.307\text{W}$
- Two diode bridge power losses are calculated by:  
 $= (0.7\text{V} \times 0.715\text{A} \times 2) \times 2 = 2.002\text{W}$

The GreenBridge FDMQ8203 saves the power loss by 1.695 W compared to a diode bridge at 60 W output power.

Table 2. GreenBridge™ FDMQ8203 Parameters

Part No.	MOSFET	$B_{VDSS}$ (V)	$R_{DS(ON)}$ @10 $V_{gs}$	$Q_g$ @10 $V_{gs}$	$\theta_{JA}$ [°C/W]
			[mΩ]	[nC]	
			Max.	Typ.	
FDMQ8203	Q1, Q4	100	110	2.9	50
	Q2, Q3	-80	190	13	

The self-driven gate circuit for GreenBridge FDMQ8203 is explained in application note [AN-9759 — GreenBridge™ to Replace Conventional Diode Bridge in Power Over Ethernet Applications](#) on Fairchild’s website.

### Hot Swap Switching MOSFET

The other design point for system reliability is to select a “hot” swap switch that turns on slowly to avoid a high inrush current and voltage drop when the PSE starts to deliver power to the PD. Figure 3 explains the three modes in MOSFET operation: Ohmic, Linear, and Off. When MOSFET is Off, the drain-to-source voltage ( $V_{DS}$ ) is the same as the input voltage and there is no drain-to-source current ( $I_{DS}$ ). As the gate-to-source voltage ( $V_{GS}$ ) increases, the MOSFET starts to flow  $I_{DS}$  and even  $V_{DS}$  maintains at the input voltage, which is called Linear Mode. During Linear Mode, the MOSFET dissipates huge power loss so the Safe Operation Area (SOA) must be checked to verify the MOSFET can withstand the thermal stress.

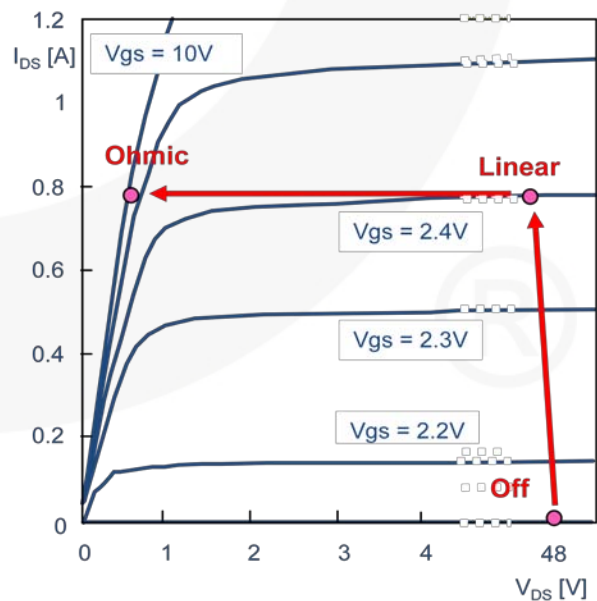


Figure 3. On Region Characteristics

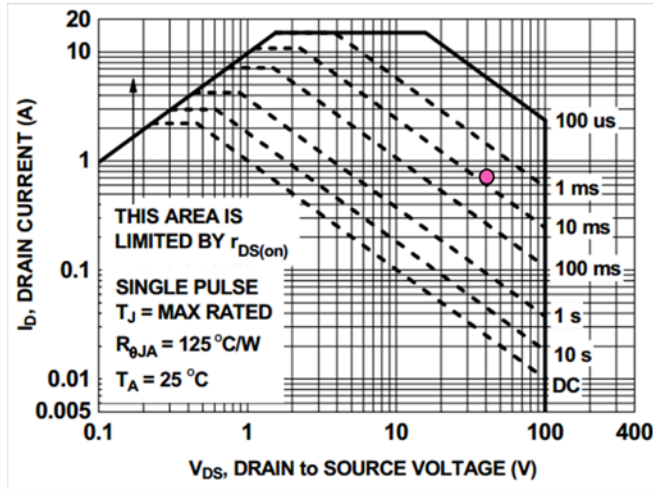


Figure 4. Forward Bias Safe Operating Area

Figure 4 is the Forward Bias Safe Operating Area (FBSOA) of the FDMC86116LZ for an example as the hot swap switch. If FDMC86116LZ with thermal impedance ( $\theta_{JA} = 125^\circ\text{C/W}$ ) is switched in 730 mA of  $I_{DS}$  and 48 V of  $V_{DS}$ , as shown in Figure 3, the turn on time of FDMC86116LZ must be under 1ms.

### 60 W Four-Pair Architecture PoE System

Like the 60 W high-power PoE system design diagram shown in Figure 5, the PSE board delivers a maximum of 70 W power to the PD through both the spare pair and data

pair of the CAT5E cable. Then the PD, using active clamp forward DC-DC topology, converts the nominal 48  $V_{IN}$  (42 V ~ 57 V) to 12 V of the output voltage at 250 kHz of the operating frequency. Table 3 and Table 4 show the power design specification of the PSE and PD boards. Both boards are compliant with the IEEE 802.3at specification.

Table 3. PSE Power Design Specification

IEEE Standard	IEEE802.3at
PSE Output Voltage	44 ~ 57 V
Max. Source Power	70 W
Hot Swap Switch	FDMC86116LZ

Table 4. PD Power Design Specification

IEEE Standard	IEEE802.3at	
PoE Class	Class 4	
Bridge	GreenBridgeFDMQ8203	
Input Voltage from PSE	42 ~ 57 V	
DC-DC Converter	Topology	Active Clamp Forward DC-DC
	$V_{OUT}$	12 V
	Max. $I_{OUT}$	5 A
	Max. Power	60 W
	$f_{sw}$	250 kHz

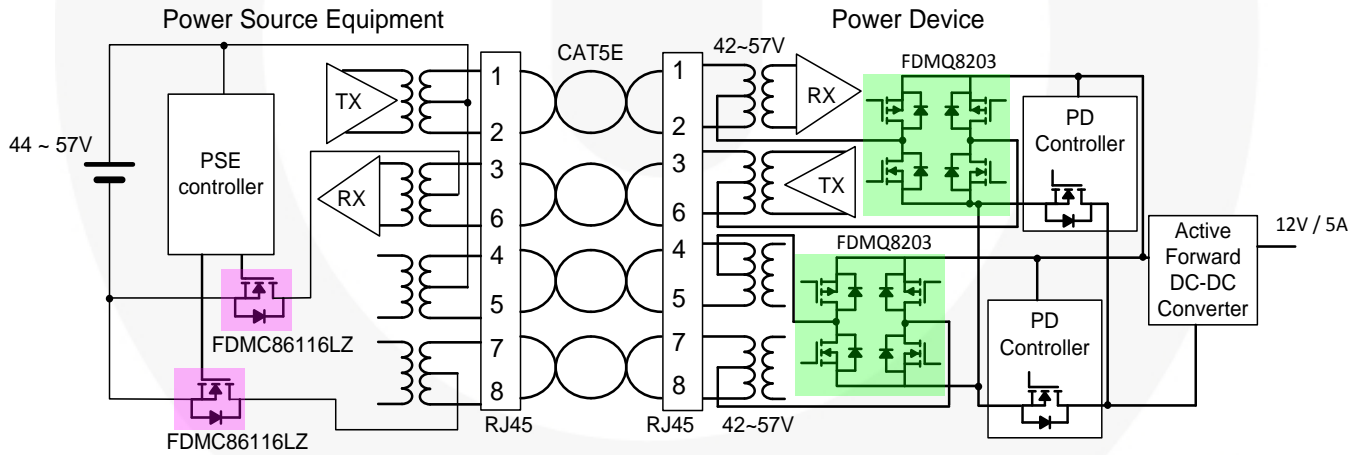


Figure 5. 60 W High-Power PoE System Design Diagram

Figure 6 shows the efficiency and power loss of the PD board. At the maximum power of 60 W, the total efficiency the PD achieves is around 91% in the PD input voltage range from 42 V to 75 V.

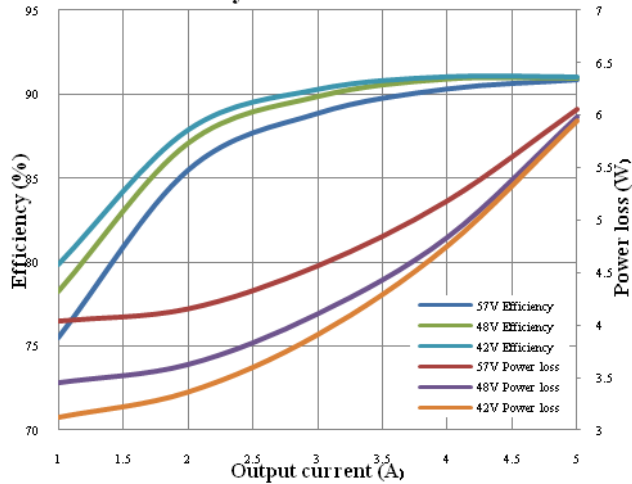
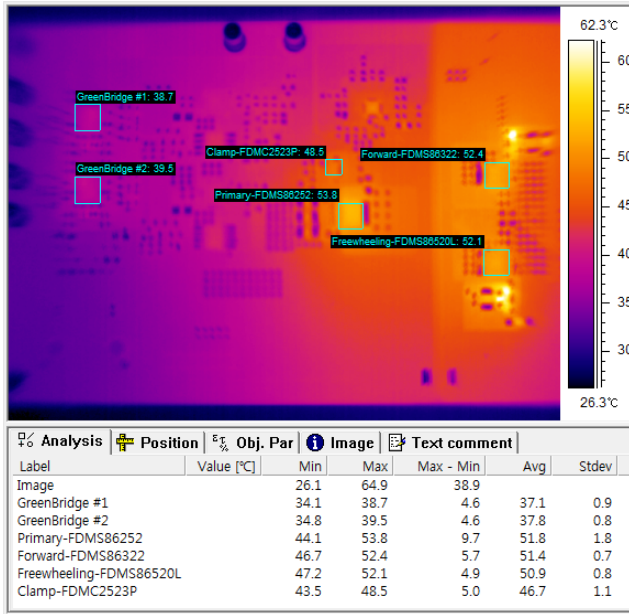
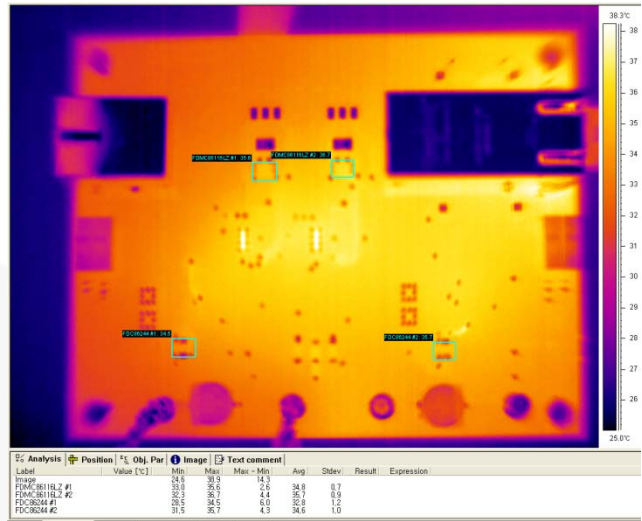


Figure 6. Efficiency & Power Loss of PD Board,  $T_A=25^{\circ}\text{C}$



GreenBridge #1: **38.7°C**, GreenBridge #2: **39.5°C**

Figure 7. Thermal Image of PD Board @  $V_{IN}=48\text{ V}$ ,  $V_{OUT}=12\text{ V}$ ,  $I_{OUT}=5\text{ A}$ ,  $T_A=25^{\circ}\text{C}$



FDMC86116LZ #1: **35.6°C**, FDMC86116LZ #2: **36.7°C**

Figure 8. Thermal Image of PSE Board @  $V_{IN}=48\text{V}$ ,  $P_{OUT}=70\text{ W}$ ,  $T_A=25^{\circ}\text{C}$

Figure 7 and Figure 8 show the thermal images of the PD and PSE board at the 60 W maximum power. The temperature difference between two GreenBridge™ and two FDMC86116LZ hot swap switches is 0.8°C and 1.1°C, respectively, which shows the well-balanced current loops at the maximum input current. Together, the GreenBridge and FDMC86116LZ hot swap switch show outstanding thermal performance.

## Conclusion

The four-pair architecture design is explained for 60 W high-power PoE applications. To balance currents of two current loops and improve the power dissipation of the bridge, the GreenBridge solution is proposed. For selecting hot swap switching MOSFETs for high-power PoE applications, design considerations are discussed. With Fairchild’s GreenBridge and hot swap switching MOSFET FDMC86116LZ, the 60 W PoE system achieves over 90% total efficiency.

## Authors

SungJin Kuen – LV Applications Engineer  
Edgar Kim – LV Applications Engineer

## References

[1] AN-9759 GreenBridge™ to Replace Conventional Diode Bridge in Power Over Ethernet Applications

## Related Resources

[FDMQ8203 — GreenBridge™ Series of High-Efficiency Bridge Rectifiers Dual N-Channel and Dual P-Channel PowerTrench® MOSFET N-Channel: 100 V, 6 A, 110mΩ P-Channel: -80V, -6 A, 190mΩ](#)

[FDMC86116LZ — N-Channel PowerTrench® MOSFET N-Channel: 100 V, 7.5 A, 103mΩ](#)

---

### DISCLAIMER

FAIRCHILD SEMICONDUCTOR RESERVES THE RIGHT TO MAKE CHANGES WITHOUT FURTHER NOTICE TO ANY PRODUCTS HEREIN TO IMPROVE RELIABILITY, FUNCTION, OR DESIGN. FAIRCHILD DOES NOT ASSUME ANY LIABILITY ARISING OUT OF THE APPLICATION OR USE OF ANY PRODUCT OR CIRCUIT DESCRIBED HEREIN; NEITHER DOES IT CONVEY ANY LICENSE UNDER ITS PATENT RIGHTS, NOR THE RIGHTS OF OTHERS.

### LIFE SUPPORT POLICY

FAIRCHILD'S PRODUCTS ARE NOT AUTHORIZED FOR USE AS CRITICAL COMPONENTS IN LIFE SUPPORT DEVICES OR SYSTEMS WITHOUT THE EXPRESS WRITTEN APPROVAL OF THE PRESIDENT OF FAIRCHILD SEMICONDUCTOR CORPORATION.

As used herein:

1. Life support devices or systems are devices or systems which, (a) are intended for surgical implant into the body, or (b) support or sustain life, or (c) whose failure to perform when properly used in accordance with instructions for use provided in the labeling, can be reasonably expected to result in significant injury to the user.
2. A critical component is any component of a life support device or system whose failure to perform can be reasonably expected to cause the failure of the life support device or system, or to affect its safety or effectiveness.

ON Semiconductor and  are trademarks of Semiconductor Components Industries, LLC dba ON Semiconductor or its subsidiaries in the United States and/or other countries. ON Semiconductor owns the rights to a number of patents, trademarks, copyrights, trade secrets, and other intellectual property. A listing of ON Semiconductor's product/patent coverage may be accessed at [www.onsemi.com/site/pdf/Patent-Marking.pdf](http://www.onsemi.com/site/pdf/Patent-Marking.pdf). ON Semiconductor reserves the right to make changes without further notice to any products herein. ON Semiconductor makes no warranty, representation or guarantee regarding the suitability of its products for any particular purpose, nor does ON Semiconductor assume any liability arising out of the application or use of any product or circuit, and specifically disclaims any and all liability, including without limitation special, consequential or incidental damages. Buyer is responsible for its products and applications using ON Semiconductor products, including compliance with all laws, regulations and safety requirements or standards, regardless of any support or applications information provided by ON Semiconductor. "Typical" parameters which may be provided in ON Semiconductor data sheets and/or specifications can and do vary in different applications and actual performance may vary over time. All operating parameters, including "Typicals" must be validated for each customer application by customer's technical experts. ON Semiconductor does not convey any license under its patent rights nor the rights of others. ON Semiconductor products are not designed, intended, or authorized for use as a critical component in life support systems or any FDA Class 3 medical devices or medical devices with a same or similar classification in a foreign jurisdiction or any devices intended for implantation in the human body. Should Buyer purchase or use ON Semiconductor products for any such unintended or unauthorized application, Buyer shall indemnify and hold ON Semiconductor and its officers, employees, subsidiaries, affiliates, and distributors harmless against all claims, costs, damages, and expenses, and reasonable attorney fees arising out of, directly or indirectly, any claim of personal injury or death associated with such unintended or unauthorized use, even if such claim alleges that ON Semiconductor was negligent regarding the design or manufacture of the part. ON Semiconductor is an Equal Opportunity/Affirmative Action Employer. This literature is subject to all applicable copyright laws and is not for resale in any manner.

## PUBLICATION ORDERING INFORMATION

### LITERATURE FULFILLMENT:

Literature Distribution Center for ON Semiconductor  
19521 E. 32nd Pkwy, Aurora, Colorado 80011 USA  
**Phone:** 303-675-2175 or 800-344-3860 Toll Free USA/Canada  
**Fax:** 303-675-2176 or 800-344-3867 Toll Free USA/Canada  
**Email:** [orderlit@onsemi.com](mailto:orderlit@onsemi.com)

**N. American Technical Support:** 800-282-9855 Toll Free  
USA/Canada  
**Europe, Middle East and Africa Technical Support:**  
Phone: 421 33 790 2910  
**Japan Customer Focus Center**  
Phone: 81-3-5817-1050

**ON Semiconductor Website:** [www.onsemi.com](http://www.onsemi.com)  
**Order Literature:** <http://www.onsemi.com/orderlit>  
For additional information, please contact your local  
Sales Representative