



Is Now Part of



ON Semiconductor®

To learn more about ON Semiconductor, please visit our website at
www.onsemi.com

ON Semiconductor and the ON Semiconductor logo are trademarks of Semiconductor Components Industries, LLC dba ON Semiconductor or its subsidiaries in the United States and/or other countries. ON Semiconductor owns the rights to a number of patents, trademarks, copyrights, trade secrets, and other intellectual property. A listing of ON Semiconductor's product/patent coverage may be accessed at www.onsemi.com/site/pdf/Patent-Marking.pdf. ON Semiconductor reserves the right to make changes without further notice to any products herein. ON Semiconductor makes no warranty, representation or guarantee regarding the suitability of its products for any particular purpose, nor does ON Semiconductor assume any liability arising out of the application or use of any product or circuit, and specifically disclaims any and all liability, including without limitation special, consequential or incidental damages. Buyer is responsible for its products and applications using ON Semiconductor products, including compliance with all laws, regulations and safety requirements or standards, regardless of any support or applications information provided by ON Semiconductor. "Typical" parameters which may be provided in ON Semiconductor data sheets and/or specifications can and do vary in different applications and actual performance may vary over time. All operating parameters, including "Typicals" must be validated for each customer application by customer's technical experts. ON Semiconductor does not convey any license under its patent rights nor the rights of others. ON Semiconductor products are not designed, intended, or authorized for use as a critical component in life support systems or any FDA Class 3 medical devices or medical devices with a same or similar classification in a foreign jurisdiction or any devices intended for implantation in the human body. Should Buyer purchase or use ON Semiconductor products for any such unintended or unauthorized application, Buyer shall indemnify and hold ON Semiconductor and its officers, employees, subsidiaries, affiliates, and distributors harmless against all claims, costs, damages, and expenses, and reasonable attorney fees arising out of, directly or indirectly, any claim of personal injury or death associated with such unintended or unauthorized use, even if such claim alleges that ON Semiconductor was negligent regarding the design or manufacture of the part. ON Semiconductor is an Equal Opportunity/Affirmative Action Employer. This literature is subject to all applicable copyright laws and is not for resale in any manner.

Application Note AN-3002

Low Current Input Circuit Ideas

6N138/139 Series

Introduction

Advancements in opto-coupling and LED technology have given us the 6N139. This unique optocoupler, having an input LED current specification at 500 microamperes, has opened some interesting design doors. Besides the obvious and much written about ability to be directly driven by CMOS circuits, the 6N139 can be considered for signal detection, transient detection, matrices and non-loading line receiving. Following are but a few circuit ideas to stimulate the designer's interest.

Signal Detection

The detection of noise, spikes or oscillations can easily and directly be detected by the input of the 6N139 as shown in the circuit of Figure 1.

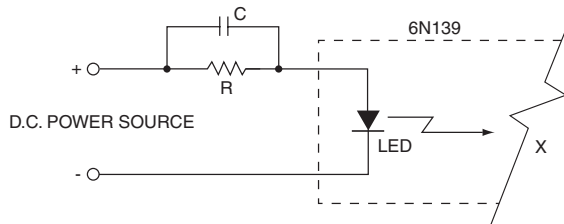


Figure 1. 6N139 Input Circuit For Signal Detection

For the detection of undesirable signals on a D.C. power source use:

$$R = \frac{\text{Power supply voltage} - 1.5 \text{ volts}}{50 \text{ microamperes}}$$

C=To inject 500 microamperes into LED

X=Latching or non-latching output circuitry to follow

LED=Input diode of 6N139

The LED is provided with a 50 microampere forward current to charge the LED capacity to the VF level. In this way, the LED is not causing conduction in its output circuitry but is prepared to conduct very quickly. Any noise or oscillation on the "D.C. power source" is coupled through "C" which develops a signal across the LED. Even small unwanted signals can cause a large change in the LED forward current. Once the LED's forward current equals or exceeds 500 microamperes, the output circuitry will conduct indicating the presence of the unwanted signal.

Transient Detection

The detection of the presence or absence of waveforms can easily be detected by the circuit in Figure 2.

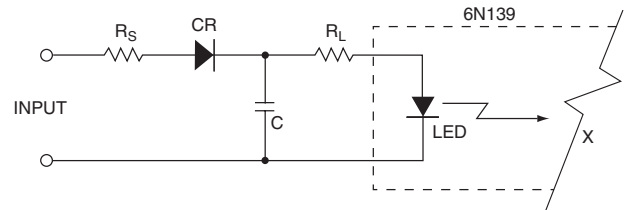


Figure 2. Pulse or Waveform Detection Circuit

For the detection of the presence of a desired signal, pulse or waveform use:

CR=Silicon diode

$$R_L = \frac{(\text{Positive Vpk. of input}) - 2.5 \text{ volts}}{1 \text{ milliampere}}$$

$$C_{\min} = \frac{\text{Pulse interval of } 1/f}{R_L}$$

$$R_{S\max} = \frac{\text{Pulse width or } 1/4f}{5C}$$

X=Non-Latching output circuitry to follow

LED=Input diode of 6N139

f=frequency

Examples:

A desired pulse train to be present is shown in Figure 3.

The resulting LED forward current that will keep the output circuitry conducting is shown as the result of proper design.

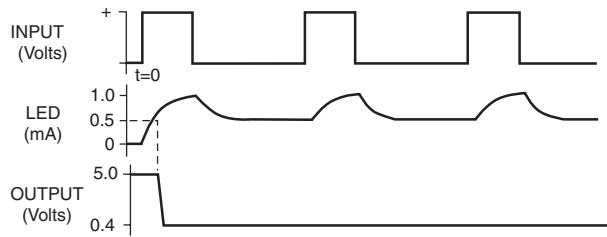


Figure 3. Pulse Train Waveforms

A desired sine wave to be present is shown in Figure 4. The resulting LED forward current that will keep the output circuitry conducting is shown as the result of proper design.

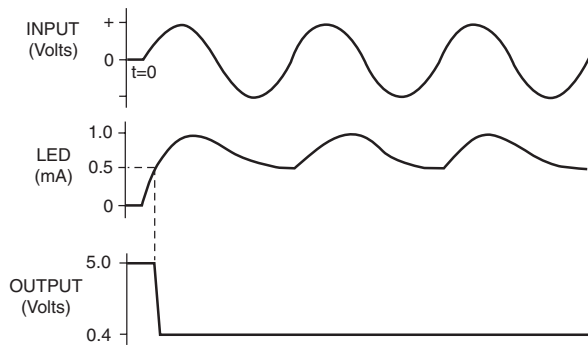


Figure 4. Sine Wave Waveforms

Matrices Opto-Coupling

With the low input LED current advantage of the 6N139, the ability to drive matrices with but one TTL output is now possible as shown in Figure 5.

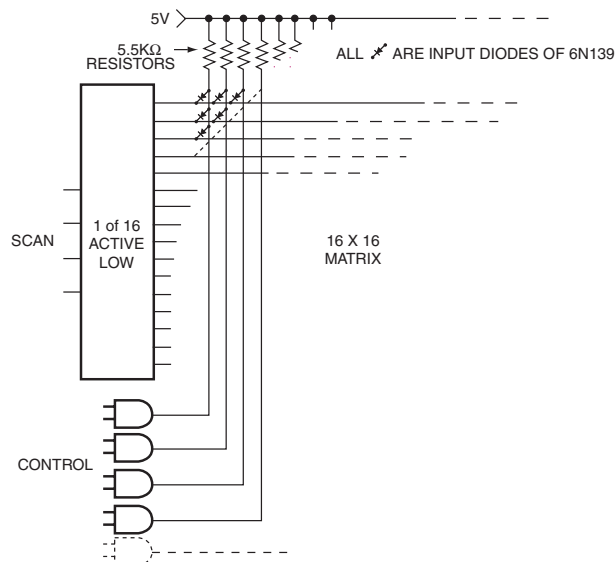


Figure 5. Opto-Coupling out of Matrices

Non-Loading Line Receiver

For virtual non-loading, the 6N139 is compatible with the differential amplifier circuit of Figure 6.

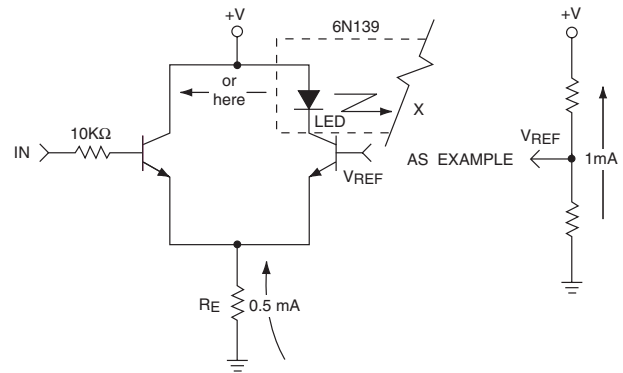


Figure 6. Differential Amplifier Drive

For a virtual no-load optoisolator circuit use:

X=Non-latching output circuitry to follow
LED=Input diode of 6N139

Current requirement at “in” will be less than 20 micro Amperes.

Example:

If “V_{REF}” is made to be +1.4 Volts and the R_E is 1.2 KΩ, the circuit will respond nicely to TTL “0” and “1” levels. That is, a “0” at “In” will cause LED current resulting in the conduction of the output circuitry. Conversely, a “1” at “In” will result in no LED current. Notice that depending upon which collector the LED is in series with it will give the option of LED current flowing with a “0” or a “1” at “In”.

6N139 Output Circuitries

The following are two examples of 6N139 output circuitry. One latching (Figure 7); the other non-latching (Figure 8), but both capable of driving a TTL gate directly.

Referring to Figure 7 and assuming that the “RESET” has been actuated by a momentary ground and no input signal is being received, all transistors shown are non-conducting (Output high, “1”). The arrival of an input signal will cause all transistors to turn on. (Output low, “0”). The PNP transistor, being turned on by the output transistor, will in turn latch that same output transistor or until the “RESET” is again initiated.

In Figure 8, where no signal is being received, the input transistor is not conducting. The output transistor is very slightly conducting. The 4.7MΩ resistor causing this slight conduction will not bring the “Output” to a “0” level. The purpose of this slight conduction is to reduce the turn-on delay time. When a signal is received, both input

and output transistors are turned on causing the "Output" to a logic "0" state. The 4.7 MΩ resistor will now tend to reduce the output transistor's turn-off time.

If you have not looked over the 6N139 specification sheet, you may not be totally aware of the current capabilities of Fairchild Semiconductor optocouplers.

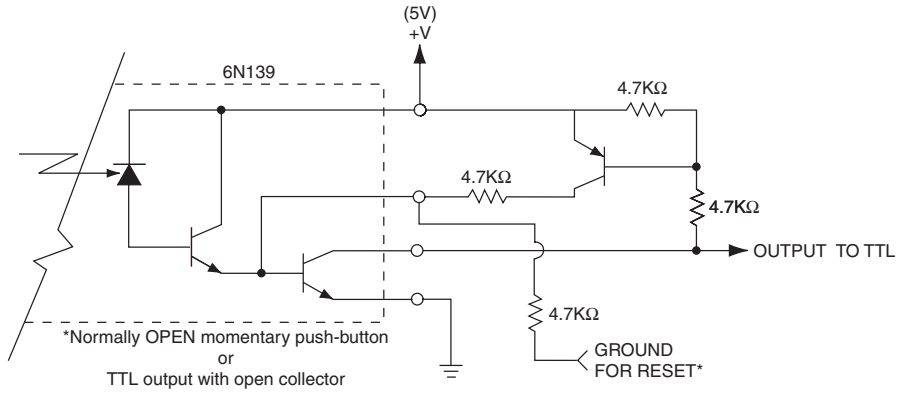


Figure 7. Latching Output Circuit for 6N139

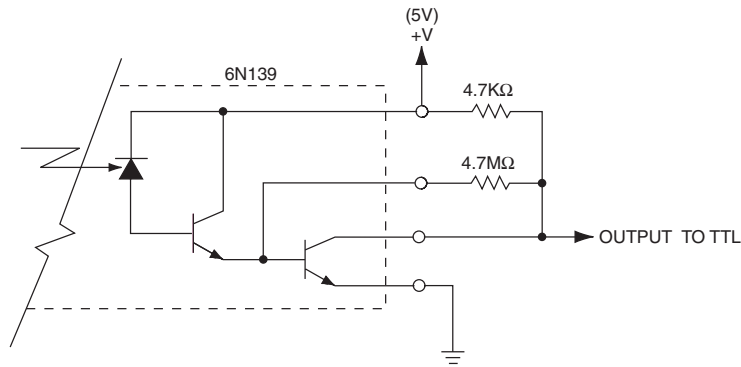


Figure 8. NON-Latching Output Circuit for 6N139

DISCLAIMER

FAIRCHILD SEMICONDUCTOR RESERVES THE RIGHT TO MAKE CHANGES WITHOUT FURTHER NOTICE TO ANY PRODUCTS HEREIN TO IMPROVE RELIABILITY, FUNCTION OR DESIGN. FAIRCHILD DOES NOT ASSUME ANY LIABILITY ARISING OUT OF THE APPLICATION OR USE OF ANY PRODUCT OR CIRCUIT DESCRIBED HEREIN; NEITHER DOES IT CONVEY ANY LICENSE UNDER ITS PATENT RIGHTS, NOR THE RIGHTS OF OTHERS.

LIFE SUPPORT POLICY

FAIRCHILD'S PRODUCTS ARE NOT AUTHORIZED FOR USE AS CRITICAL COMPONENTS IN LIFE SUPPORT DEVICES OR SYSTEMS WITHOUT THE EXPRESS WRITTEN APPROVAL OF THE PRESIDENT OF FAIRCHILD SEMICONDUCTOR CORPORATION. As used herein:

1. Life support devices or systems are devices or systems which, (a) are intended for surgical implant into the body, or (b) support or sustain life, or (c) whose failure to perform when properly used in accordance with instructions for use provided in the labeling, can be reasonably expected to result in significant injury to the user.
2. A critical component is any component of a life support device or system whose failure to perform can be reasonably expected to cause the failure of the life support device or system, or to affect its safety or effectiveness.

ON Semiconductor and  are trademarks of Semiconductor Components Industries, LLC dba ON Semiconductor or its subsidiaries in the United States and/or other countries. ON Semiconductor owns the rights to a number of patents, trademarks, copyrights, trade secrets, and other intellectual property. A listing of ON Semiconductor's product/patent coverage may be accessed at www.onsemi.com/site/pdf/Patent-Marking.pdf. ON Semiconductor reserves the right to make changes without further notice to any products herein. ON Semiconductor makes no warranty, representation or guarantee regarding the suitability of its products for any particular purpose, nor does ON Semiconductor assume any liability arising out of the application or use of any product or circuit, and specifically disclaims any and all liability, including without limitation special, consequential or incidental damages. Buyer is responsible for its products and applications using ON Semiconductor products, including compliance with all laws, regulations and safety requirements or standards, regardless of any support or applications information provided by ON Semiconductor. "Typical" parameters which may be provided in ON Semiconductor data sheets and/or specifications can and do vary in different applications and actual performance may vary over time. All operating parameters, including "Typicals" must be validated for each customer application by customer's technical experts. ON Semiconductor does not convey any license under its patent rights nor the rights of others. ON Semiconductor products are not designed, intended, or authorized for use as a critical component in life support systems or any FDA Class 3 medical devices or medical devices with a same or similar classification in a foreign jurisdiction or any devices intended for implantation in the human body. Should Buyer purchase or use ON Semiconductor products for any such unintended or unauthorized application, Buyer shall indemnify and hold ON Semiconductor and its officers, employees, subsidiaries, affiliates, and distributors harmless against all claims, costs, damages, and expenses, and reasonable attorney fees arising out of, directly or indirectly, any claim of personal injury or death associated with such unintended or unauthorized use, even if such claim alleges that ON Semiconductor was negligent regarding the design or manufacture of the part. ON Semiconductor is an Equal Opportunity/Affirmative Action Employer. This literature is subject to all applicable copyright laws and is not for resale in any manner.

PUBLICATION ORDERING INFORMATION

LITERATURE FULFILLMENT:

Literature Distribution Center for ON Semiconductor
19521 E. 32nd Pkwy, Aurora, Colorado 80011 USA
Phone: 303-675-2175 or 800-344-3860 Toll Free USA/Canada
Fax: 303-675-2176 or 800-344-3867 Toll Free USA/Canada
Email: orderlit@onsemi.com

N. American Technical Support: 800-282-9855 Toll Free
USA/Canada
Europe, Middle East and Africa Technical Support:
Phone: 421 33 790 2910
Japan Customer Focus Center
Phone: 81-3-5817-1050

ON Semiconductor Website: www.onsemi.com
Order Literature: <http://www.onsemi.com/orderlit>
For additional information, please contact your local
Sales Representative