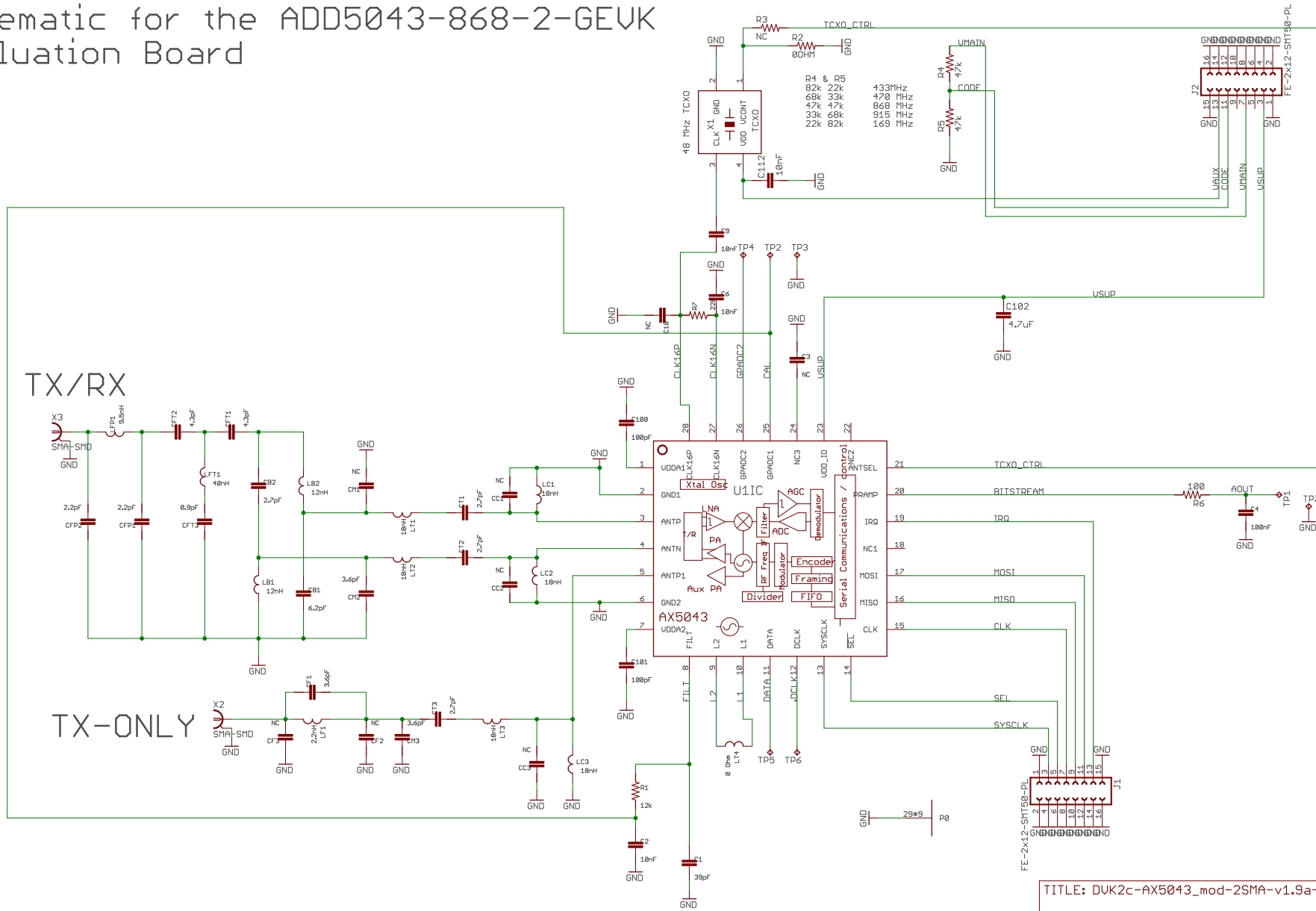


# Schematic for the ADD5043-868-2-GEVK Evaluation Board



TITLE: DUK2c-AX5043\_mod-2SMA-v1.9a-868MHz

Date: 1/10/2018 11:58 AM

Sheet: 1/1