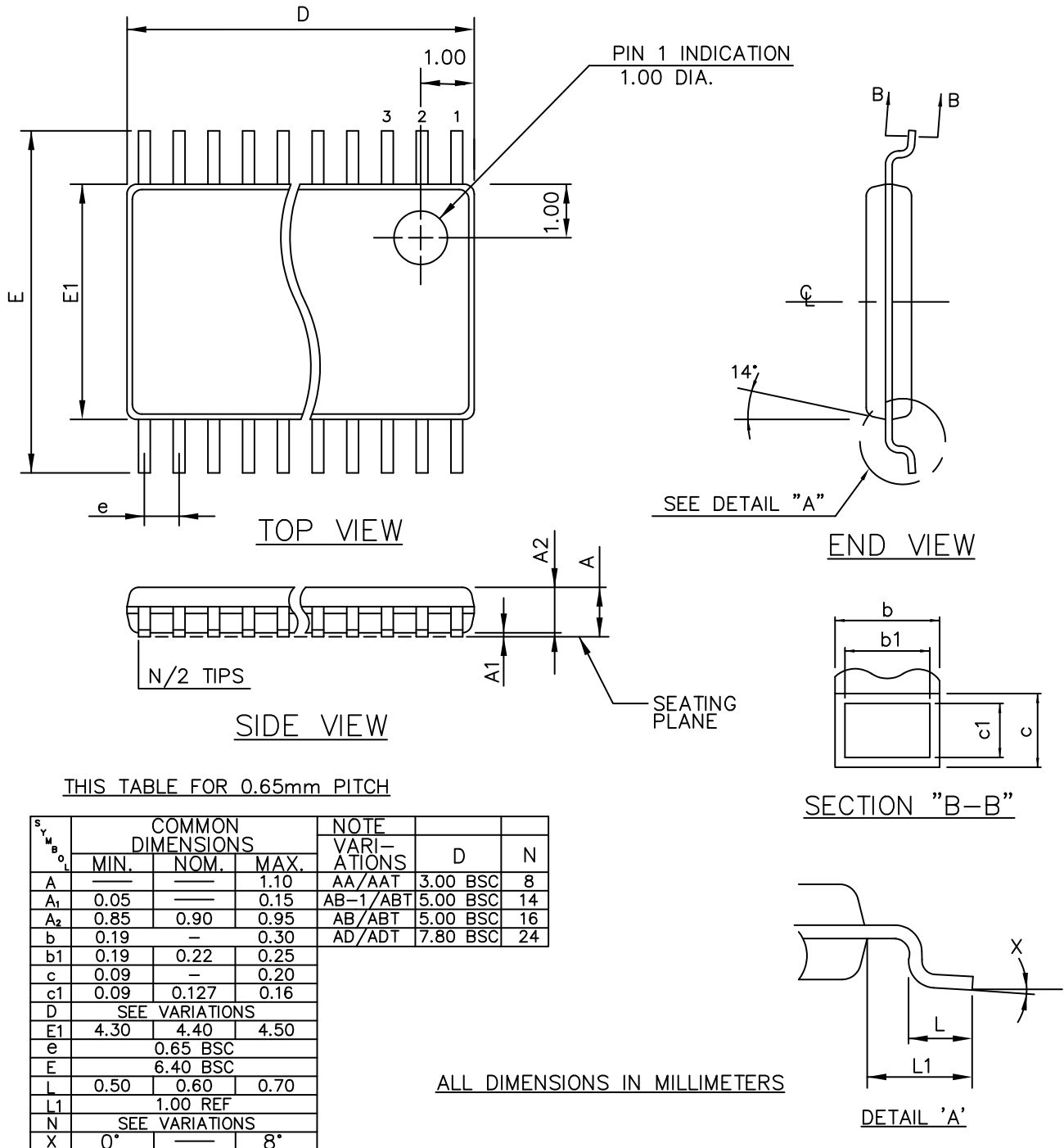


MECHANICAL CASE OUTLINE

PACKAGE DIMENSIONS

TSSOP 16
CASE 948AH-01
ISSUE O

DATE 19 SEP 2008



MOLD FLASH OR PROTRUSIONS SHALL NOT EXCEED 0.15mm ON D PER SIDE

DOCUMENT NUMBER:	98AON34923E	Electronic versions are uncontrolled except when accessed directly from the Document Repository. Printed versions are uncontrolled except when stamped "CONTROLLED COPY" in red.
STATUS:	ON SEMICONDUCTOR STANDARD	
REFERENCE:		
DESCRIPTION:	TSSOP 16	PAGE 1 OF 2

