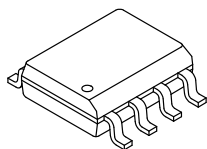


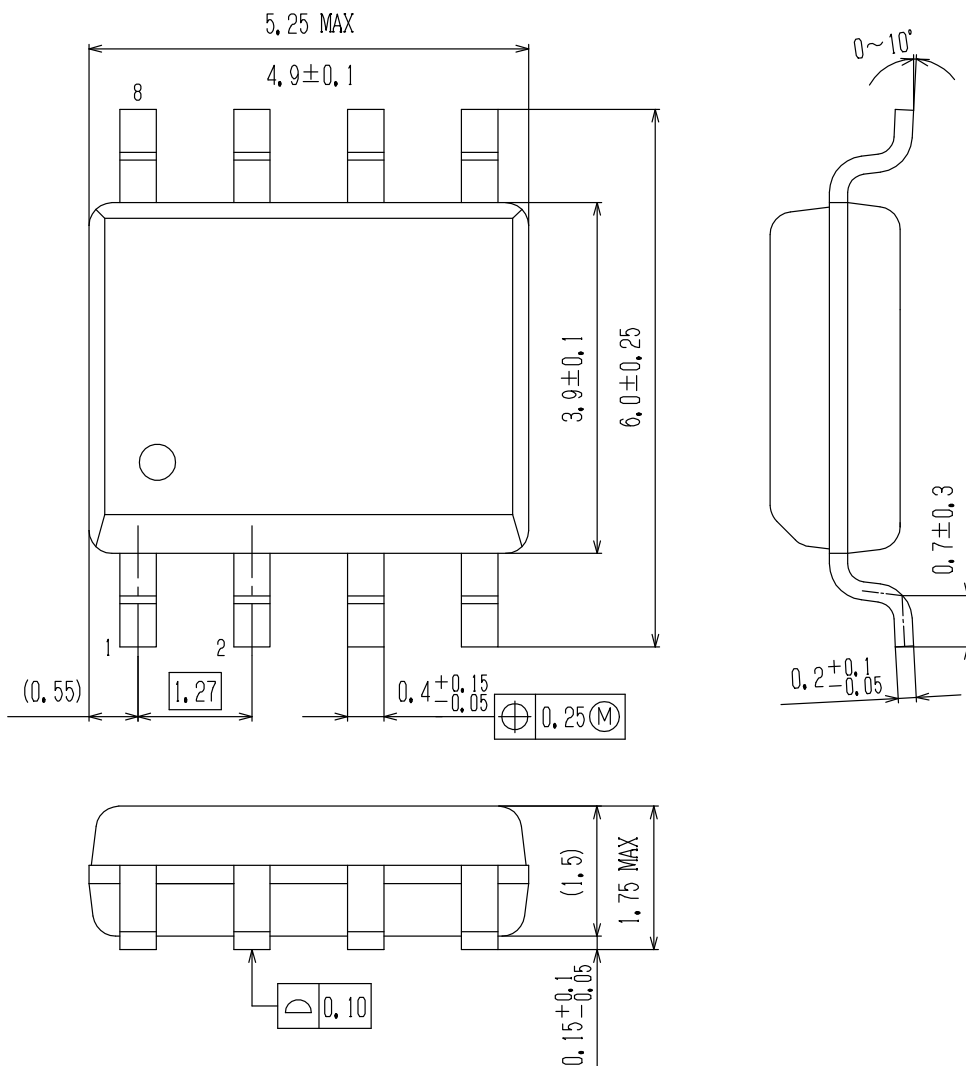
MECHANICAL CASE OUTLINE
PACKAGE DIMENSIONS

ON Semiconductor®



SOIC-8 / SOP8K (200 mil)
CASE 751CV
ISSUE O

DATE 30 APR 2012



DOCUMENT NUMBER:	98AON79326E	Electronic versions are uncontrolled except when accessed directly from the Document Repository. Printed versions are uncontrolled except when stamped "CONTROLLED COPY" in red.
STATUS:	ON SEMICONDUCTOR STANDARD	
NEW STANDARD:		
DESCRIPTION:	SOIC-8 / SOP8K (200 MIL)	PAGE 1 OF 2

