

**MECHANICAL CASE OUTLINE**  
**PACKAGE DIMENSIONS**

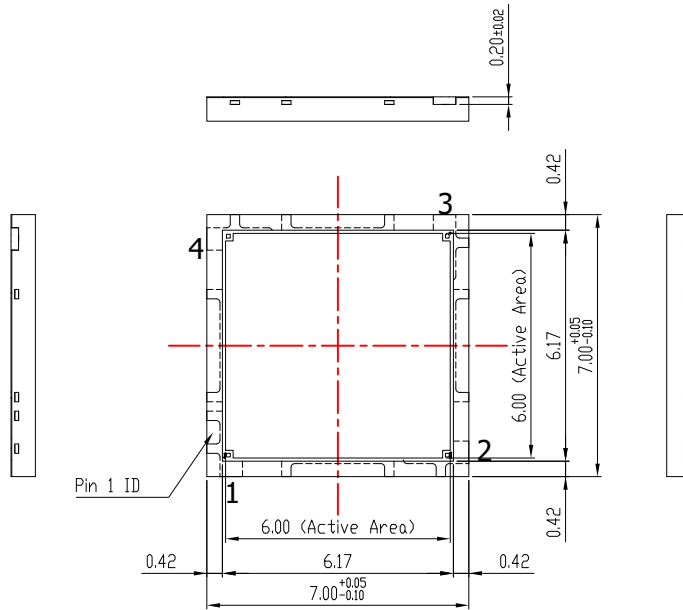
ON Semiconductor®



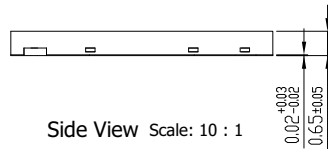
**CWDFN4 7x7, 4.5P**  
**CASE 512AG**  
**ISSUE O**

DATE 31 JUL 2018

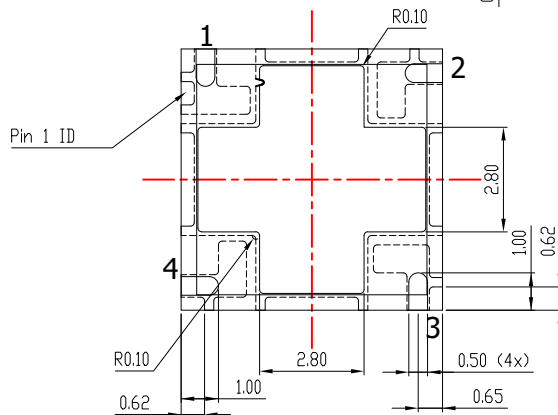
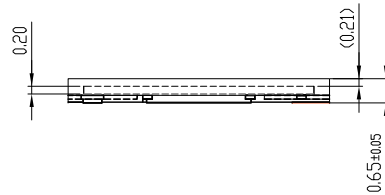
| Pin Assignment |               |
|----------------|---------------|
| Pin #          | Description   |
| 1              | P-Anode       |
| 2              | F-Fast Output |
| 3              | N-Cathode     |
| 4              | No Connect    |



Top View Scale: 10 : 1



Side View Scale: 10 : 1



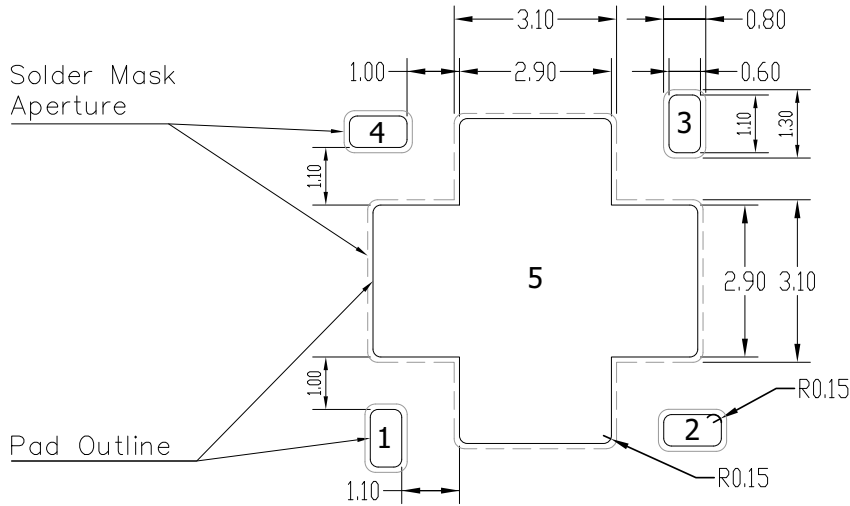
Bottom View Scale: 10 : 1

|                         |                         |   |
|-------------------------|-------------------------|---|
| <b>DOCUMENT NUMBER:</b> | <b>98AON94885G</b>      | Electronic versions are uncontrolled except when accessed directly from the Document Repository.<br>Printed versions are uncontrolled except when stamped "CONTROLLED COPY" in red. |
| <b>DESCRIPTION:</b>     | <b>CWDFN4 7x7, 4.5P</b> | <b>PAGE 1 OF 2</b>  |

ON Semiconductor and are trademarks of Semiconductor Components Industries, LLC dba ON Semiconductor or its subsidiaries in the United States and/or other countries. ON Semiconductor reserves the right to make changes without further notice to any products herein. ON Semiconductor makes no warranty, representation or guarantee regarding the suitability of its products for any particular purpose, nor does ON Semiconductor assume any liability arising out of the application or use of any product or circuit, and specifically disclaims any and all liability, including without limitation special, consequential or incidental damages. ON Semiconductor does not convey any license under its patent rights nor the rights of others.

**CWDFN4 7x7, 4.5P**  
**CASE 512AG**  
**ISSUE O**

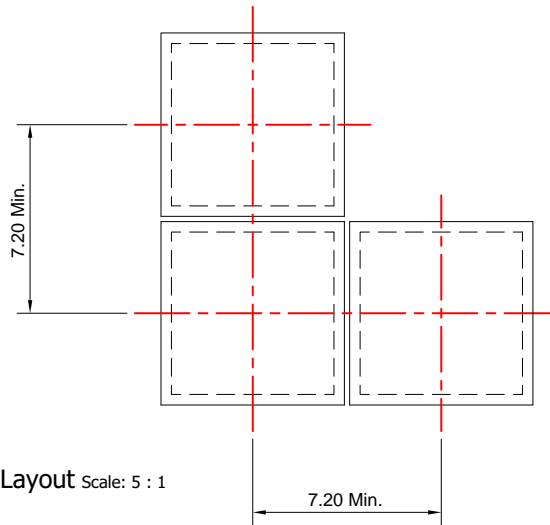
DATE 31 JUL 2018



**Recommended PCB Solder Footprint**

Scale: 10 : 1

NOTE: No Connect (NC) pin 4 should be soldered to PCB, this pin can be connected to ground but it can also be left floating without affecting the dark noise. Recommend that NC pin 5 paddle is not soldered to the PCB and left floating to achieve optimal soldering on pins 1 to 4. Care must be taken to ensure that no electrical contacts on the PCB, such as vias, short out on the paddle if using the area underneath for routing. If it is desired to solder pin 5 to the PCB, for example to heatsink or ground the paddle, please consult your contract manufacture for their solder recommendations based on their equipment and capabilities.



Tiling Layout Scale: 5 : 1

NOTE: Alignment and placement tolerances depend on the accuracy of the equipment used in the assembly process.

|                         |                         |  |
|-------------------------|-------------------------|--|
| <b>DOCUMENT NUMBER:</b> | <b>98AON94885G</b>      | Electronic versions are uncontrolled except when accessed directly from the Document Repository. Printed versions are uncontrolled except when stamped "CONTROLLED COPY" in red. |
| <b>DESCRIPTION:</b>     | <b>CWDFN4 7x7, 4.5P</b> | <b>PAGE 2 OF 2</b>   |

ON Semiconductor and are trademarks of Semiconductor Components Industries, LLC dba ON Semiconductor or its subsidiaries in the United States and/or other countries. ON Semiconductor reserves the right to make changes without further notice to any products herein. ON Semiconductor makes no warranty, representation or guarantee regarding the suitability of its products for any particular purpose, nor does ON Semiconductor assume any liability arising out of the application or use of any product or circuit, and specifically disclaims any and all liability, including without limitation special, consequential or incidental damages. ON Semiconductor does not convey any license under its patent rights nor the rights of others.