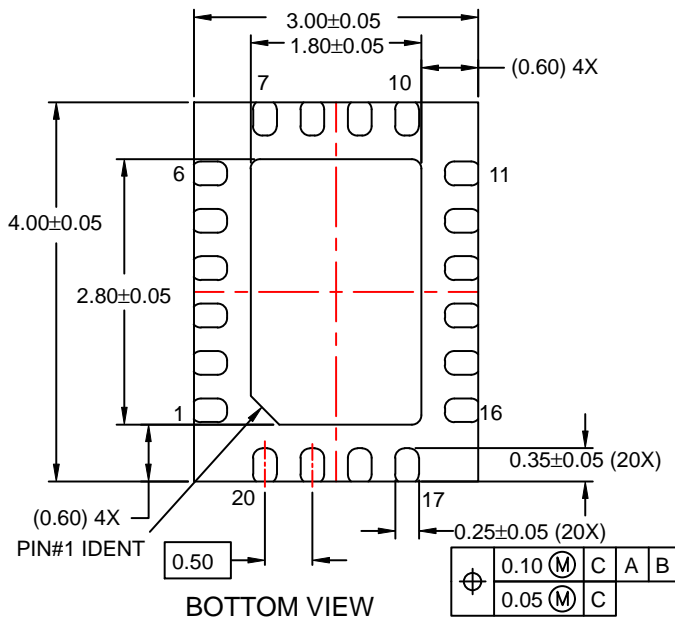
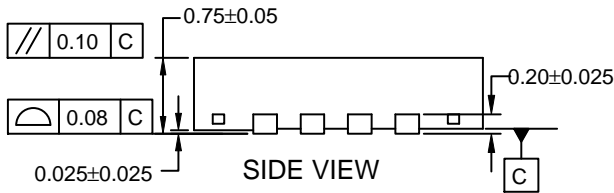
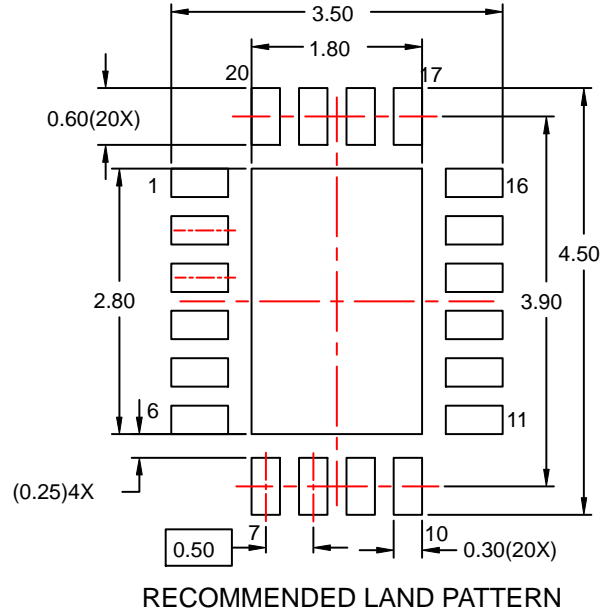
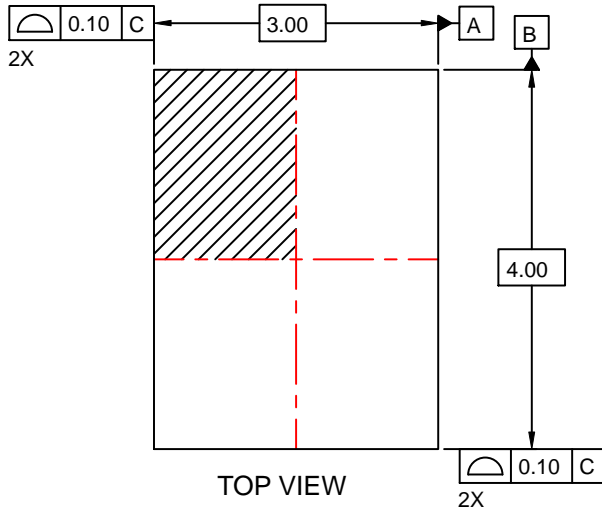


**MECHANICAL CASE OUTLINE**  
**PACKAGE DIMENSIONS**

**WQFN20 3x4, 0.5P**  
CASE 510BT  
ISSUE O

DATE 31 AUG 2016



**NOTES:**

- A. DOES NOT FULLY CONFORMS TO JEDEC REGISTRATION MO-220.
- B. DIMENSIONS ARE IN MILLIMETERS.
- C. DIMENSIONS AND TOLERANCES PER ASME Y14.5M, 2009.

<b>DOCUMENT NUMBER:</b>	<b>98AON13634G</b>	Electronic versions are uncontrolled except when accessed directly from the Document Repository. Printed versions are uncontrolled except when stamped "CONTROLLED COPY" in red.
<b>STATUS:</b>	<b>ON SEMICONDUCTOR STANDARD</b>	
<b>NEW STANDARD:</b>		
<b>DESCRIPTION:</b>	<b>WQFN20 3X4, 0.5P</b>	<b>PAGE 1 OF 2</b>

