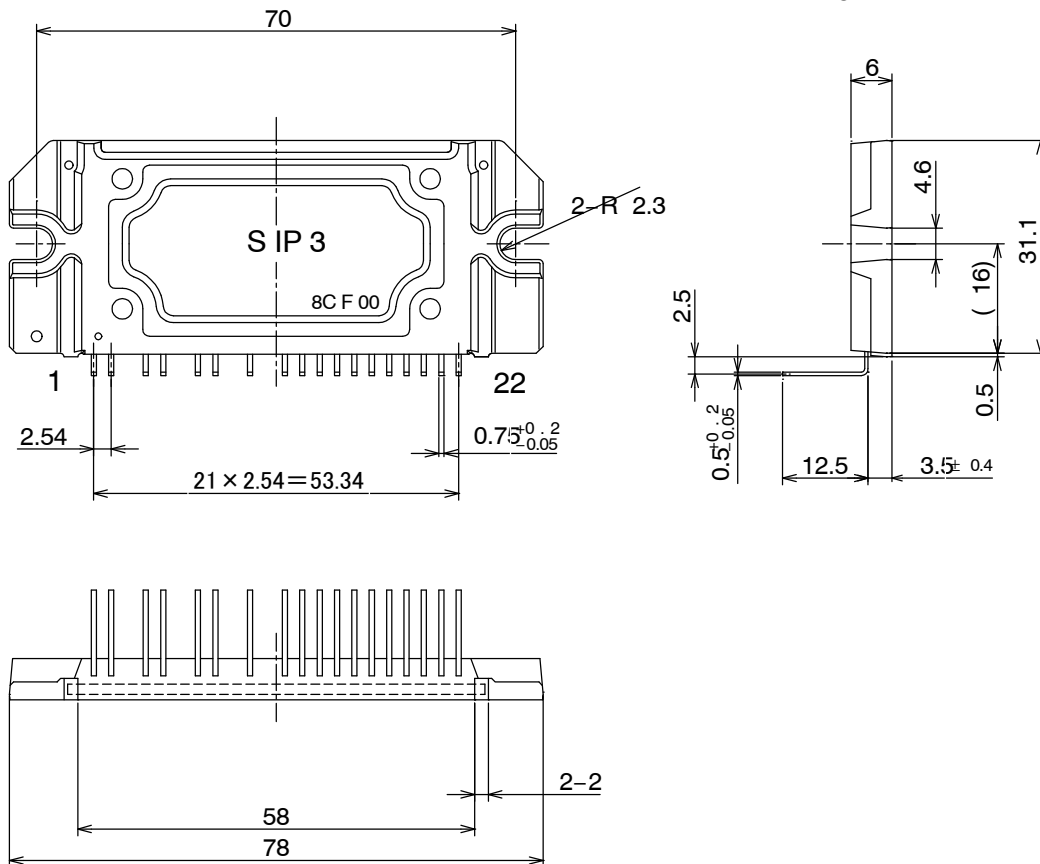


MECHANICAL CASE OUTLINE
PACKAGE DIMENSIONS

SIP22 70x31.1
CASE 127BU
ISSUE O

DATE 30 APR 2012

Missing P in : 3,6,9,11



DOCUMENT NUMBER:	98AON79787E	Electronic versions are uncontrolled except when accessed directly from the Document Repository. Printed versions are uncontrolled except when stamped "CONTROLLED COPY" in red.
STATUS:	ON SEMICONDUCTOR STANDARD	
NEW STANDARD:		
DESCRIPTION:	SIP22 70X31.1	PAGE 1 OF 2

