

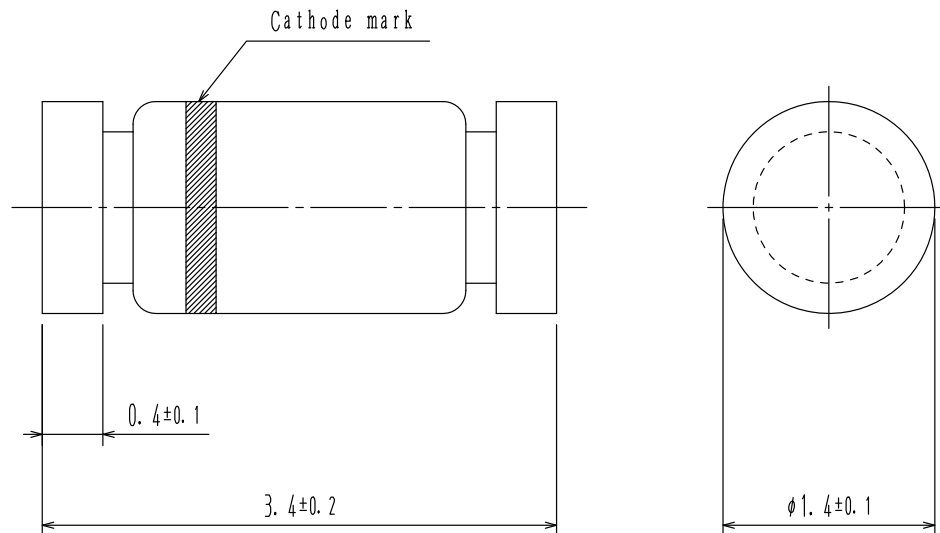
MECHANICAL CASE OUTLINE
PACKAGE DIMENSIONS

ON Semiconductor®



MiniMELF / SOD-80
CASE 100AD
ISSUE 0

DATE 30 APR 2012



| | | |
|-------------------------|----------------------------------|--|
| DOCUMENT NUMBER: | 98AON79582E | Electronic versions are uncontrolled except when accessed directly from the Document Repository. Printed versions are uncontrolled except when stamped "CONTROLLED COPY" in red. |
| STATUS: | ON SEMICONDUCTOR STANDARD | |
| NEW STANDARD: | | |
| DESCRIPTION: | MINIMELF / SOD-80 | PAGE 1 OF 2 |

