

## Product Overview

### LV0104CS: Ambient Light Sensor, I<sup>2</sup>C Interface

For complete documentation, see the data sheet.

LV0104CS is a photo IC for ambient light sensor which has the characteristics of spectral response similar to that of human eyes. It is suitable for the applications like mobile phone (for Digital-TV, One-segment), LCD-TV, laptop computer, PDA, DSC and Camcorder.

#### Features

- Smallest OD-CSP package in the world(1.08mm x 1.08mm thickness: 0.6mm)
- Superior spectrum sensitivity characteristics
- 16-bit digital output for CODEC by I2C serial bus
- Low consumption current and Sleep mode function

#### Benefits

- Space saving
- It resemble human eyesight sensitivity
- It can match to CODEC sensitivity by amplifier's gain adjustment
- Power saving

#### Applications

- Ambient Light Sensor

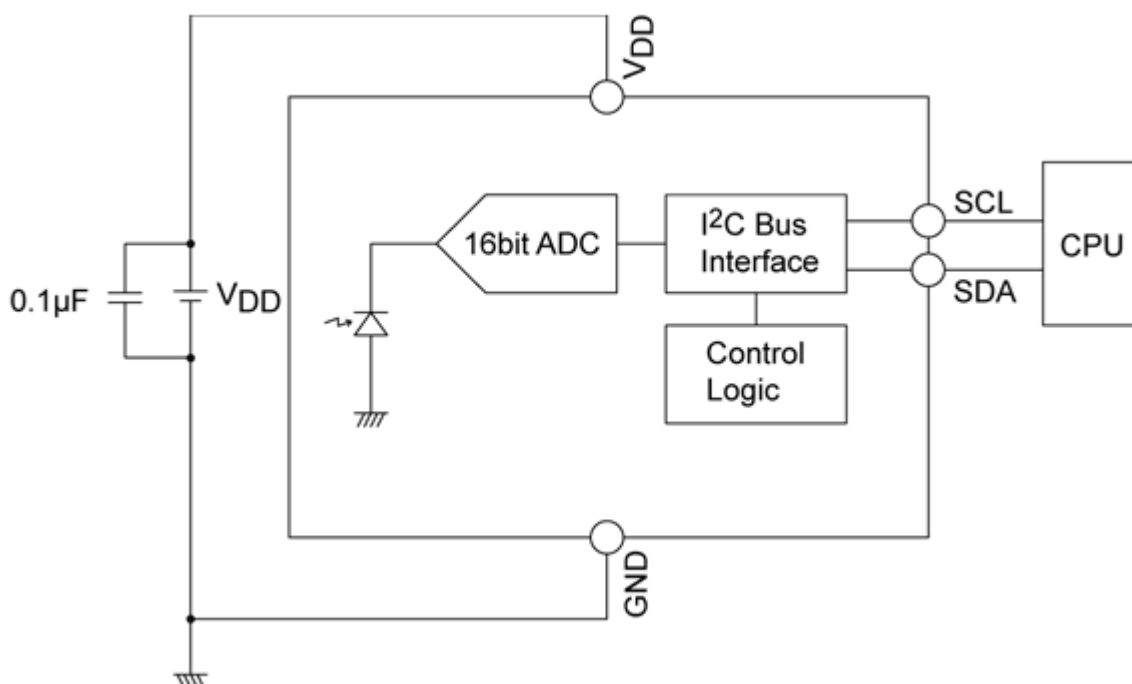
#### End Products

- Feature phone, Smart phone
- Digital TV (LCD, OLED, CRT Monitor)
- Laptop-PC, Tablet, PDA
- DSC, DVC, Digital SLR, Mirrorless

#### Part Electrical Specifications

Product	Pricing (\$/Unit)	Compliance	Status	I <sub>o</sub> Typ (µA)	Output Interface	V <sub>in</sub> Min (V)	V <sub>in</sub> Max (V)	T <sub>A</sub> Min (°C)	T <sub>A</sub> Max (°C)	Package Type
LV0104CS-TLM-H	0.7	Pb-free Halide free	Active	70	I2C	2.3	3.6	-30	85	ODCSP-4

#### Application Diagram



For more information please contact your local sales support at [www.onsemi.com](http://www.onsemi.com).

Created on: 8/12/2020