

Product Overview

STK541UC60C-E: Intelligent Power Module (IPM), 600 V, 10 A

For complete documentation, see the data sheet.

This "Inverter IPM" is highly integrated device containing all High Voltage (HV) control from HV-DC to 3-phase outputs in a single SIP module (Single-In line Package). Output stage uses IGBT/FRD technology and implements Under Voltage Protection (UVP) and Over Current Protection (OCP) with a Fault Detection output flag. Internal Boost diodes are provided for high side gate boost drive.

Features

- Over-current Protection Circuit
- Under-voltage lockout for all channels
- Upper/lower ON prevention circuit
- Direct input of CMOS level control signals without an insulating is possible
- UL Recognized (File Number : E339285)

Applications

- Motor Driver modules

Benefits

- Fast speed protection is possible(Self protection)
- All IGBT Gate shutdown at abnormal for safety
- System malfunction can reduce by noise
- High precision monitor is possible

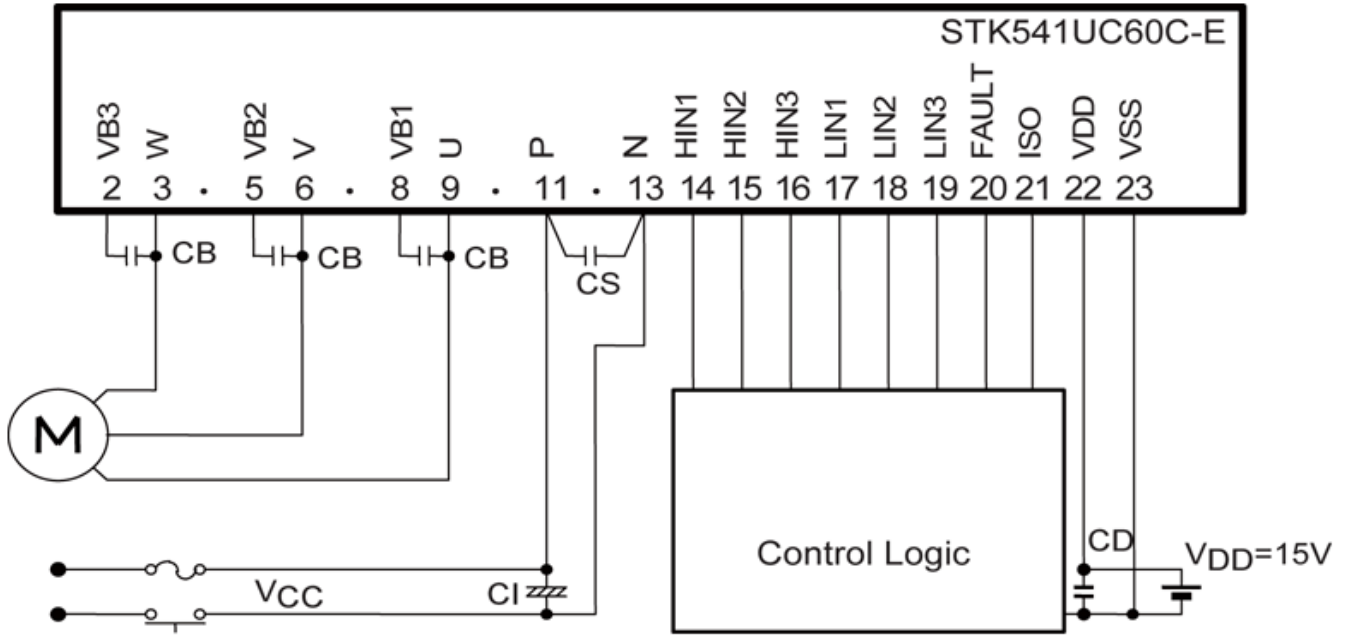
End Products

- Motor Control System
- Industrial /General Control Syst
- HVAC
- Clothes Washer /Dryer
- Dish Washer

Part Electrical Specifications

Product	Pricing (\$/Unit)	Compliance	Status	Family	Type	Substrate	Input Logic	Rated Voltage Min (V)	$I_o @ 25^\circ\text{C}$ Min (A)	$V_{CE(sat)} @ 25^\circ\text{C}$ Typ (V)	$R_{DS(on)}$ (Ω)	Emitter Configuration	Shutdown Pin	Mounting Type	Package Type
STK541UC60C-E	7.3332	Pb-free non AEC-Q and PPAP	Active	SIP1	3-Phase Inverter IGBT	IMS Full Pack	Active Low	600	10	1.4	N/A	Combined Emitter Pin with Internal Sense Resistor	Yes	Vertical SIP	SIP-23

Application Diagram



For more information please contact your local sales support at www.onsemi.com.

Created on: 1/20/2021