

Product Overview

NCP4328: Secondary Side Controller, Constant Voltage / Constant Current (CV / CC)

For complete documentation, see the data sheet.

The NCP4328 is a secondary side SMPS controller designed for use in applications which requires constant current and/or constant current regulation. The NCP4328x consists of two OTA amplifiers for voltage and current loop regulation with precise internal voltage references. Outputs of OTAs are open drain type (OTAs sink current only). The NCP4328B includes a LED driver pin implemented with an open drain MOSFET driven by a 1 kHz square wave with a 12.5% duty cycle working when VCC is above UVLO for indication purpose. The NCP4328A is available in TSOP5 package while the NCP4328B is available in TSOP6 package.

Features

- Operating Input Voltage Range: 2.5 V to 36.0 V
- Supply current < 100 uA
- 0.5% Reference Voltage Accuracy (T_J = 25C)
- Constant Voltage and Constant Current Control Loop
- Indication LED PWM Modulated Driver (NCP4328B)

Benefits

- Wide application use
- Low Standby/No Load power
- Tight Voltage & Current Regulation
- Both CV and CC Regulation
- Low power Indicator Light

Applications

- CC CV Charging
- LED Lighting

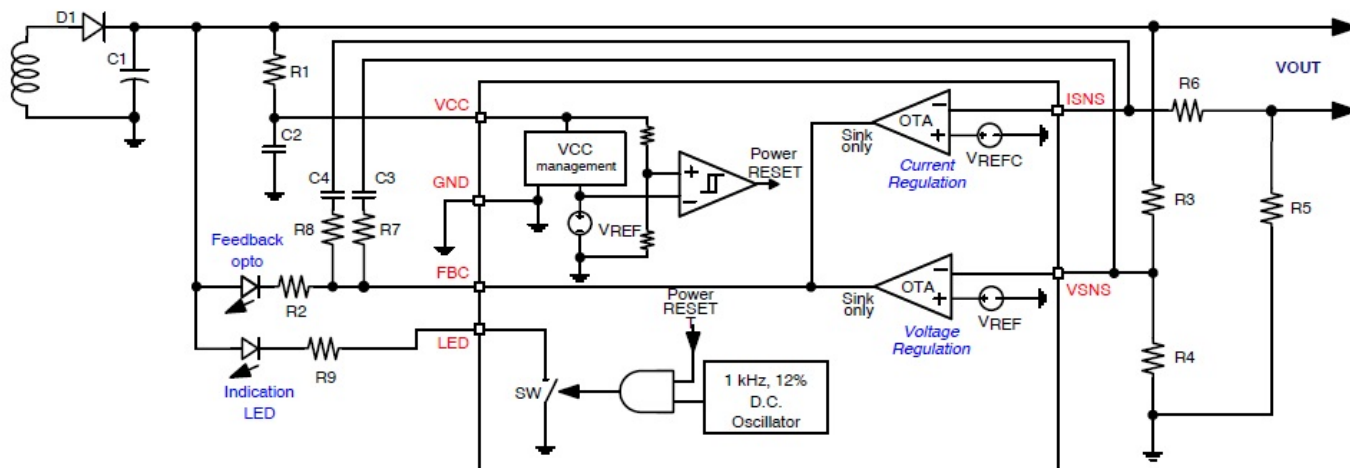
End Products

- LED Lighting
- LCD TV

Part Electrical Specifications

Product	Compliance	Status	Type	V _(BR) Typ (V)	Tolerance (%)	I _O Typ (mA)	I _R Min (mA)	V _F Max (V)	T _A Min (°C)	T _A Max (°C)	Package Type
NCP4328ASNT1G	Pb-free	Active	Adjustable	1.25	0.48	0.105	0.105	1.256	-40	125	TSOP-5 / SOT-23-5
	Halide free										
NCP4328BSNT1G	Pb-free Halide free	Active	Adjustable	1.25	0.48	0.115	0.115	1.256	-40	125	TSOP-6

Application Diagram



For more information please contact your local sales support at www.onsemi.com.

Created on: 10/21/2019