

Product Overview

LV8413GP: Motor Driver, H-Bridge x 2-Channel, for DSC and Phone Camera

For complete documentation, see the data sheet.

The LV8413GP is an H-bridge x 2-channel motor driver and is able to control 4 modes of forward, reverse, brake, and standby. This device, housed in a miniature package, is optimum for use in a stepping motor driving system for DSC or a mobile phone camera module.

Features

- Built-in thermal protection circuit
- Built-in low voltage malfunction prevention circuit
- Output ON Resistance : 0.8 Ω
- Built-in Photo Sensor Drive Transistor
- VCT Package
- Brake Function
- Saturation drive H-bridge : 2-channels

Applications

- Stepper/Brush DC Motors
- Industrial
- Portable & Wireless

Benefits

- Thermal protection
- Low Voltage Detection
- (Upper and Lower Total), High Efficiency
- Less External Component
- Small Design Footprint
- Safety Design

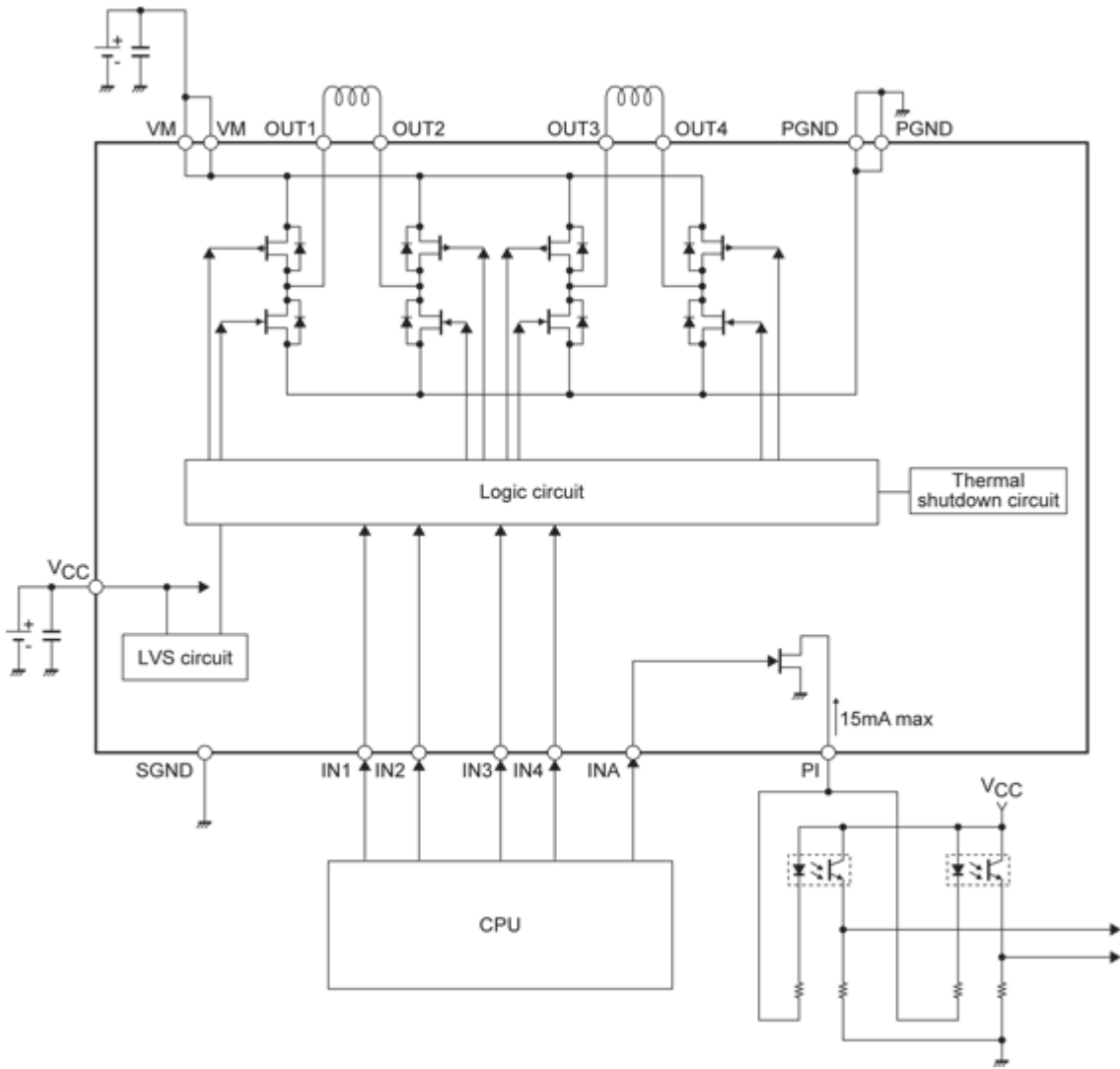
End Products

- PoE Security Camera
- Digital Still Camera
- Toy
- Cell Phone Camera

Part Electrical Specifications

Product	Pricing (\$/Unit)	Compliance	Status	V _M Min (V)	V _M Max (V)	V _{CC} Min (V)	V _{CC} Max (V)	I _O Max (A)	I _O Peak Max (A)	Step Resolution	Control Type	Current Sense	Fault Detection	Package Type
LV8413GP-TE-L-H	1.0666	Pb-free Halide free non AEC-Q and PPAP	Active	2.5	5.5	2.5	6	0.4	0.6	1	Parallel	None	UVLO	VCT-16

Application Diagram



For more information please contact your local sales support at www.onsemi.com.

Created on: 10/29/2020