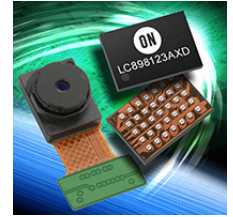


Product Overview

LC898123AXD: Optical Image Stabilization (OIS) / Auto Focus (AF) Controller & Driver

For complete documentation, see the data sheet.



LC898123AXD is a system LSI integrating an on-chip 32bit DSP, a Flash Memory and peripherals including analog circuits for Optical Image Stabilization (OIS) / Auto Focus (AF) control and H-bridge and constant current drivers.

Features

- On-chip 32-bit DSP Built-in software digital servo filter Built-in software Gyro filter
 - Flash Memory : 12k Byte Flash memory to store data and DSP program
 - AD converter : 12bit / Input 4ch / Equipped with a sample-hold circuit
 - DA converter : 8bit / Output 3ch
 - Built-in 2-wire Serial I/F circuit (with clock stretch function)
 - Built-in Hall Bias circuit
 - Built-in Hall Amp (Gain of Op-amp : x6, x12, x50, x75, x100, x150, x200)
 - Built-in OSC (Oscillator) : Typ. 41MHz (with Frequency adjustment function)
 - Built-in LDO (Low Drop-Out regulator)
 - Digital Gyro I/F for various types of gyro (SPI Bus)
- For more features, see the data sheet

Benefits

- The onchip DSP allows the Optical Image Stabilization (OIS) algorithm to be flexible and achieve the high Optical Image Stabilization (OIS) performance.
- The Onchip Flash allows to store the calibration data and DSP program. No external NVM is necessary for this.

Applications

- Optical Image Stabilization (OIS) / Auto Focus (AF) Camera Modules

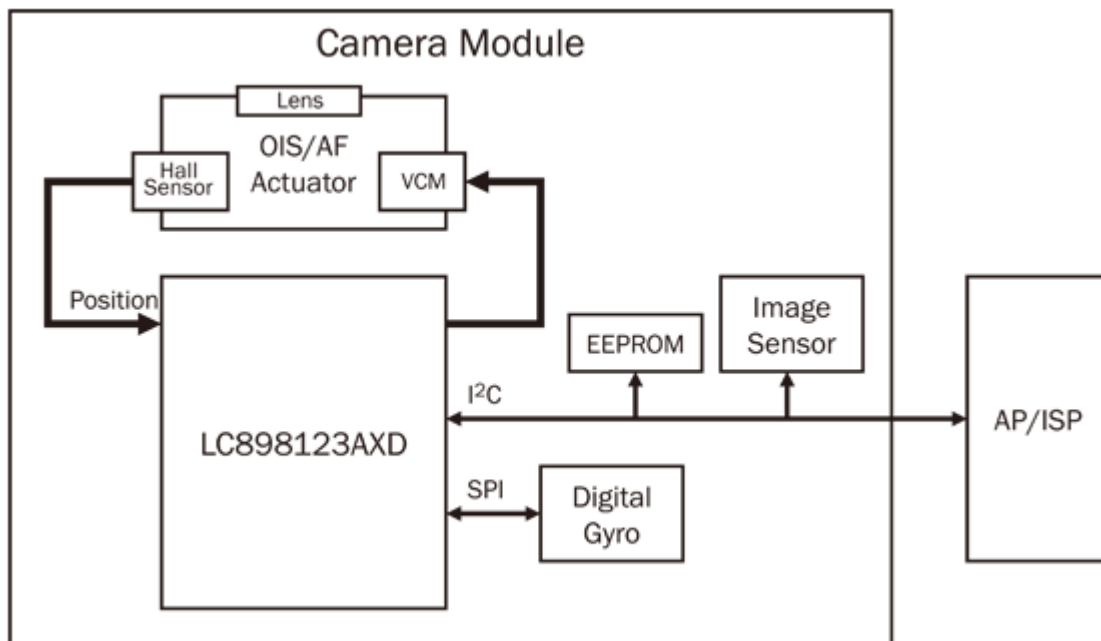
End Products

- Smart Phone
- Tablet
- DSC
- DSLR

Part Electrical Specifications

Product	Pricing (\$/Unit)	Compliance	Status	V _M Min (V)	V _M Max (V)	V _{CC} Min (V)	V _{CC} Max (V)	I _O Max (A)	I _O Peak Max (A)	Step Resolution	Control Type	Current Sense	Fault Detection	Package Type
LC898123AXD-VH		Pb-free Halide free	Active	2.6	3.6	2.6	3.6	0.220/0.150	0.300/0.200		Serial	None		WLCS P-35

Application Diagram



For more information please contact your local sales support at www.onsemi.com.

Created on: 12/9/2019