

## Product Overview

### LV8805SV: Motor Driver, Sensor Less, Brushless, 3-Phase

For complete documentation, see the data sheet.

LV8805SV is a 3-phase sensorless motor driver IC. 3-phase driver allows low power consumption and low vibration. And Hall sensorless drive allows reduction of the size of a motor system. This IC is suitable for use in products which require high reliability and long life such as server fan and refrigerator fan.

#### Features

- Direct PWM three-phase sensorless motor driver
- Built-in current limit circuit (Operates when RF resistance is  $0.25\Omega$  and  $I_o=1A$ )
- Built-in lock protection and auto-recovery circuit
- Built-in TSD (thermal shutdown) circuit
- Direct PWM signal input for speed control PWMIN pin
- Soft-Booting
- Soft-Switching
- Built-in Beat Lock Protection
- 1chip Driver
- NchDMOS output transistor

For more features, see the data sheet

#### Benefits

- Easy Manufacturing
- Current Protection
- Destruction protection
- Thermal Protection
- High Efficiency
- Stability at booting
- Silent
- Beat Lock Protection
- Easy Manufacturing

#### Applications

- Fan Motor
- Computing & Peripherals
- Consumer

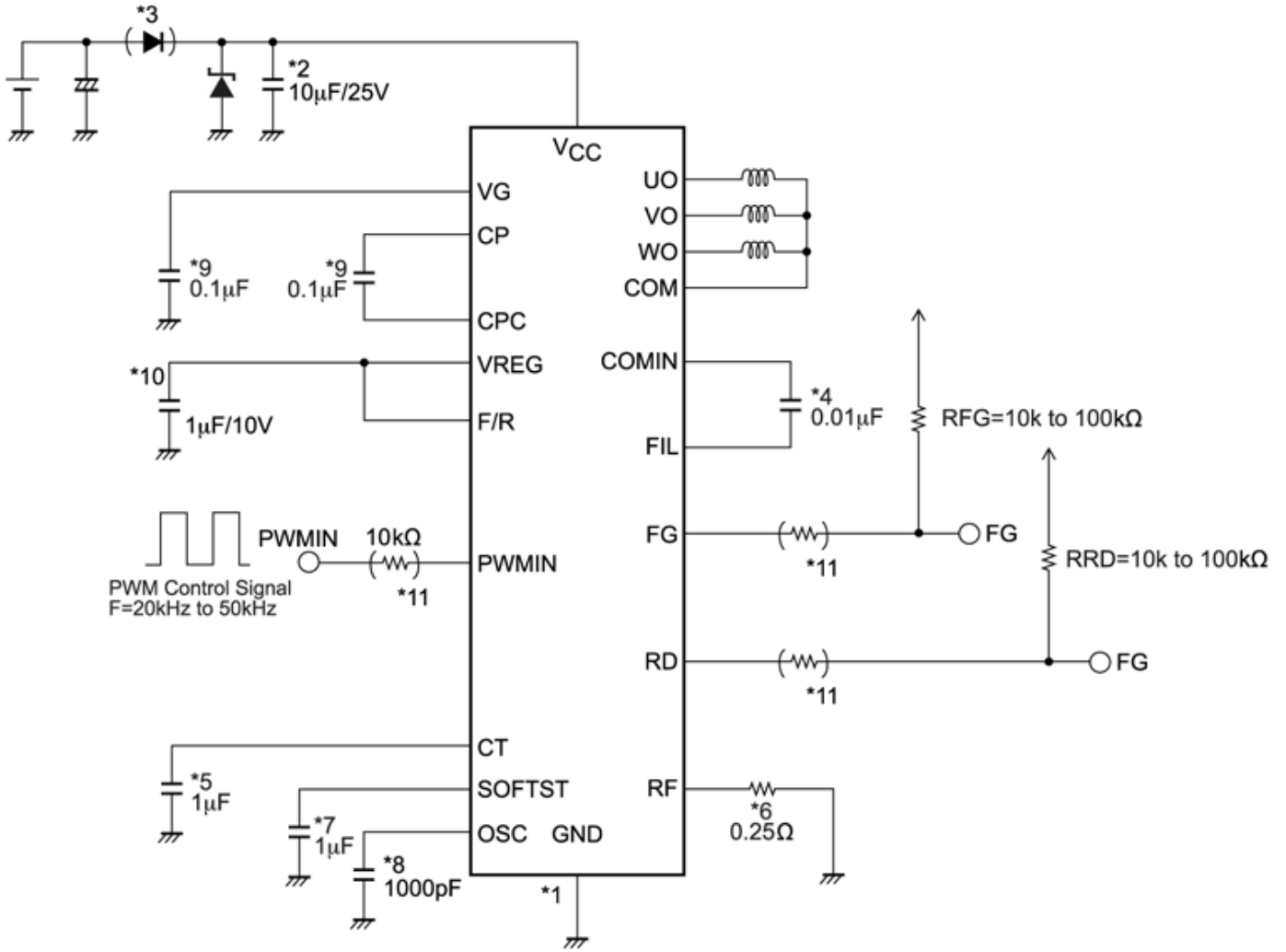
#### End Products

- PC and Server
- Refrigerator
- Server
- Desktop Computer

### Part Electrical Specifications

Product	Pricing (\$/Unit)	Compliance	Status	Phase	V <sub>M</sub> Min (V)	V <sub>M</sub> Max (V)	V <sub>CC</sub> Min (V)	V <sub>CC</sub> Max (V)	I <sub>O</sub> Max (A)	I <sub>O</sub> Peak Max (A)	Control Type	Package Type
LV8805SV-TLM-H	1.2544	Pb-free Halide free	Active	3	6	15	6	15		1.2	PWM	SSOP-20J

# Application Diagram



Please refer to a Datasheet for the instructions \*1 to 11.

For more information please contact your local sales support at [www.onsemi.com](http://www.onsemi.com).

Created on: 7/9/2020