

Product Overview

NUD3160: Relay Driver, 48 V

For complete documentation, see the data sheet.

This micro-integrated device provides a one component solution to switch inductive loads such as relays, solenoids, and small dc motors without the need for a free-wheeling diode. It accepts logic level inputs, thus allowing it to be driven by a large variety of devices including logic gates, inverters, and microcontrollers.

Features

- Provides Robust Interface between DC Relay Coils and Sensitive Logic
- Capable of Driving Relay Coils Rated up to 150 mA at 12 V, 24 V or 48 V
- Replaces 3 or 4 Discrete Components for Lower Cost
- Internal Zener Eliminates Need for Free-Wheeling Diode
- Meets Load Dump and other Automotive Specs

Applications

- Drives Window, Latch, Door, and Antenna Relays

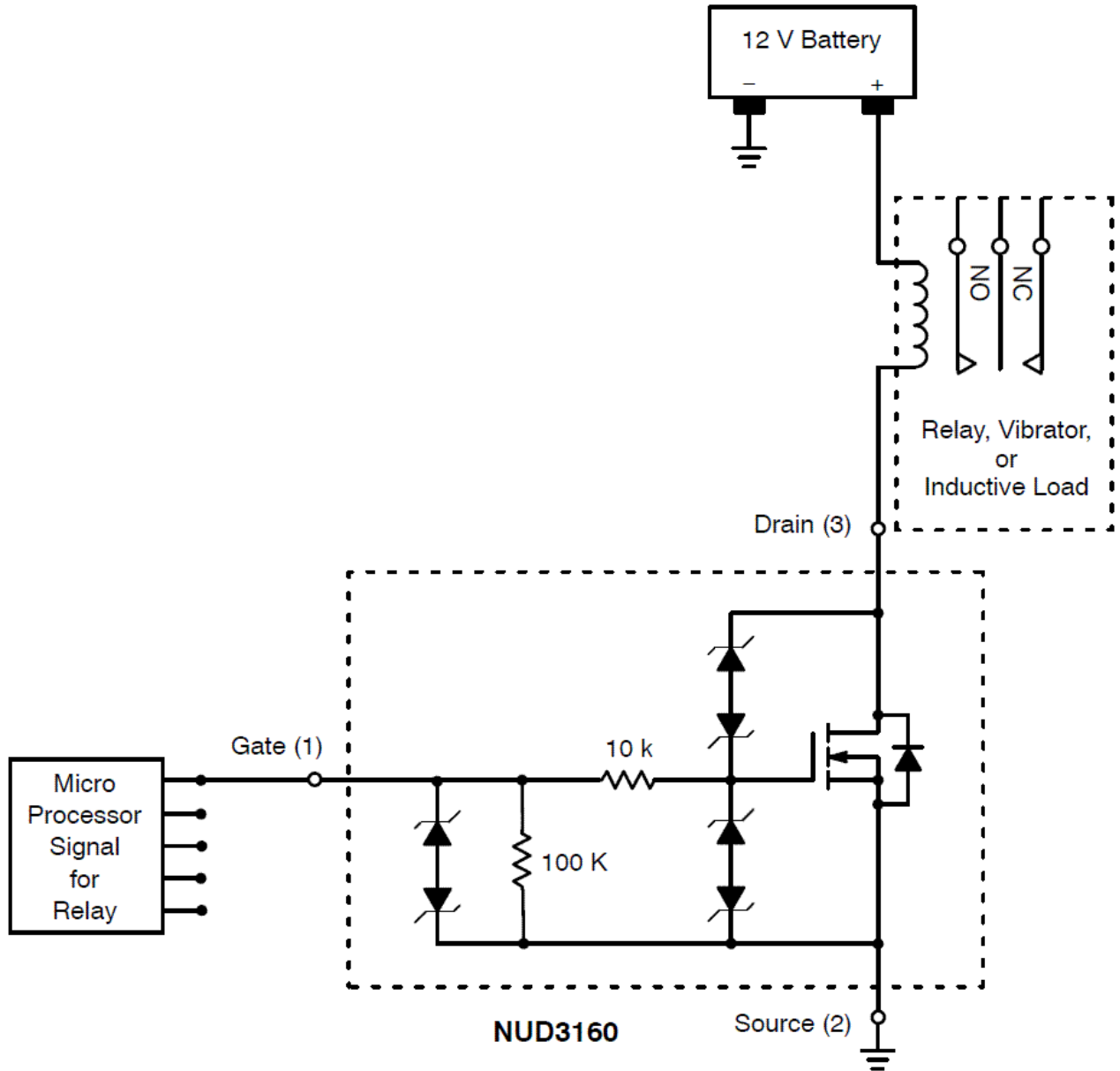
End Products

- Automobiles
- Industrial Equipment

Part Electrical Specifications

Product	Compliance	Status	Number of Drivers	V _{CC} Max (V)	V _{(BR)GSS} Max (V)	V _{(BR)DSS} Max (V)	I _D Max (A)	r _{DS(on)} Max (Ω)	T _J Max (°C)	Package Type
NUD3160DMT1G	Pb-free	Active	2	60	12	60	0.15	1.8	150	SC-74
	Halide free									
NUD3160LT1G	Pb-free	Active	1	60	12	60	0.15	1.8	150	SOT-23-3
	Halide free									
SZNUD3160DMT1G	AEC Qualified	Active	2	60	12	60	0.15	1.8	150	SC-74
	PPAP Capable									
	Pb-free									
	Halide free									
SZNUD3160LT1G	AEC Qualified	Active	1	60	12	60	0.15	1.8	150	SOT-23-3
	PPAP Capable									
	Pb-free									
	Halide free									

Application Diagram



For more information please contact your local sales support at www.onsemi.com.

Created on: 9/21/2019